

ISBN :



# CONFERENCE PROGRAMS AND ABSTRACT

**INTERNATIONAL CONFERENCE  
FORUM IN RESEARCH, SCIENCE, AND TECHNOLOGY 2020**

**NOVEMBER 10-11, 2020**

**Palembang, Province of South Sumatera  
Indonesia**

Organized By :

Collaborate With :



## ORGANIZING COMMITTEE

### International Advisory Committee

Prof. Erry Yulian Triblas Adesta, International Islamic University, Malaysia  
Prof. Yasushi Kiyoki, Keio University, Japan  
Assoc. Prof. Dr. Augustus E. Osseo-Asare University of Sunderland, United Kingdom  
Prof. Eddy Yusuf, Ph.D., Management Science University, Malaysia  
Prof. Win-jet Luo, Ph.D., National Chin-Yi University of Technology, Taiwan  
Yu-Lieh Wu, Ph.D., National Chin-Yi University of Technology, Taiwan  
Prof. Chiaki Ogino, Kobe University, Japan  
Wahyu Caesarendra, S.T., M.Eng., Ph.D., University of Brunei Darussalam, Brunei  
Prof. Yuliansyah, M.S.A., Ph.D., Ak., CA., University of Lampung, Indonesia  
Dr. Muhammad Haikal Satria, IPM, Jakarta Global University, Indonesia  
Assoc. Prof. Dr. Mohammed N Adurazaq, Management and Science University (MSU), Malaysia

### Steering Committee

Dr. Ing. Ahmad Taqwa, M.T, Politeknik Negeri Sriwijaya, Indonesia  
Dr. RD. Kusumanto, MM, Politeknik Negeri Sriwijaya, Indonesia  
Prof. Dr. Ir. Siti Nurmaini, Universitas Sriwijaya, Indonesia  
Prof Aldes Lesbani S.Si,M.Si,Ph.D, Universitas Sriwijaya, Indonesia  
Yu-Lieh Wu, Ph.D., National Chin-Yi University of Technology, Taiwan  
Dr. Zuhadi Zakaria, Politeknik Seberang Perai, Malaysia  
Dr.Ir.Rusdianasari, M.Si, Politeknik Negeri Sriwijaya, Indonesia  
Asst. Prof. Dr. Dodik Siswanto, S.E., M.Sc. Acc., Universitas Indonesia  
Irsyadi Yani, ST., M.Eng. PhD, Universitas Sriwijaya, Indonesia  
Dr. Gancar Candra Premananto SE., M.Si., Universitas Airlangga  
Dr. Yohandri Bow, M.Si, Politeknik Negeri Sriwijaya, Indonesia  
Dr. Yuli Yetri, M.Si, Politeknik Negeri Padang  
Dr. Marieska Verawaty, M.Si., Universitas Sriwijaya, Indonesia  
Dr. Eng. Tresna Dewi, M.Eng., Politeknik Negeri Sriwijaya, Indonesia  
Dr. Maya Fitri Oktarini S.T., M.T., Universitas Sriwijaya, Indonesia  
Ir. Indra Chandra Setiawan, M.T., PT. Toyota Motor Manufacturing, Indonesia

### General Chair

Dr.Rita Martini, SE.,M.Si.,Ak.,CA, Politeknik Negeri Sriwijaya, Indonesia

### General co-Chairs

Dr. Ade Silvia Handayani, S.T, M.T., Politeknik Negeri Sriwijaya, Indonesia  
Carlos R. Sitompul, S.T.,M.T., Politeknik Negeri Sriwijaya, Indonesia  
Ir. Jaksen M. Amin, M.Si, Politeknik Negeri Sriwijaya, Indonesia

### Publication Chairs

Dr. Nyayu Latifah Husni, S.T., M.T, Politeknik Negeri Sriwijaya, Indonesia  
Deris Stiawan, M,Kom, PhD., Universitas Sriwijaya, Indonesia  
Dr. Martha Aznury, M.Si., Politeknik Negeri Sriwijaya, Indonesia



### **Technical Program Chairs**

Fatahul Arifin, ST., Dipl Eng. EPD., M.EngSc, PhD, Politeknik Negeri Sriwijaya, Indonesia

Dr. Herlambang Saputra, S.Pd., M.Kom., Politeknik Negeri Sriwijaya, Indonesia

### **Finance Chairs & Treasurer**

Dr. Marieska Lupikawati, S.E., M.M, Politeknik Negeri Sriwijaya, Indonesia

### **Public Relation Chairs**

Nelly Masnila, S.E, M.Si, Ak, Politeknik Negeri Sriwijaya, Indonesia

Ahmad Zamheri, S.T, M.T, Politeknik Negeri Sriwijaya, Indonesia

Drs Zakaria MPd., Politeknik Negeri Sriwijaya, Indonesia

Desloehal Djumrianti, S.E., MIS., PhD, Politeknik Negeri Sriwijaya, Indonesia

Leni Novianti, M.Kom., Politeknik Negeri Sriwijaya, Indonesia

M. Miftahul Amin, S.Kom., M.Eng., Politeknik Negeri Sriwijaya, Indonesia

Dr. Ir. Abu Hasan, M.Si., Politeknik Negeri Sriwijaya, Indonesia

Ir. Irawan Rusnadi, M.T. , Politeknik Negeri Sriwijaya, Indonesia

Dr. Indrayani, ST., M.T. , Politeknik Negeri Sriwijaya, Indonesia

Dra. Tiur Simanjuntak, M.Ed.M, Politeknik Negeri Sriwijaya, Indonesia

Sukandar S.Si.,M.T,Ph.D., Institut Teknologi Bandung, Indonesia

Dr. GK Marriappen, Politeknik Seberang Perai, Malaysia

Ir. Irwin Bizzy, M.T., Universitas Sriwijaya, Indonesia

Dr. Sari Lestari Zainal Ridho, SE., M.Ec, Politeknik Negeri Sriwijaya, Indonesia

Dr. Ir.Leila Kalsum, M.T, Politeknik Negeri Sriwijaya, Indonesia

Dr. Leily Nurul Komariah, S.T., M.T., Universitas Sriwijaya, Indonesia

Dr, Rosmalinda Permatasari ST MT, Universitas Tridinanti Palembang, Indonesia

Erliza Yuniarti, S.T., M.Eng, Universitas Muhammadiyah Palembang, Indonesia

Firdaus, S.T., M.Kom., Universitas Sriwijaya, Indonesia

Ervi Cofriyanti, S.Si, M.T.I, Politeknik Negeri Sriwijaya, Indonesia

Lindawati, ST., M.Ti., Politeknik Negeri Sriwijaya, Indonesia

Yogi Eka Fernandes, S.Pd., M.T., Politeknik Negeri Sriwijaya, Indonesia

Ozkar Firdausi Homzah, S.T., M.T., Politeknik Negeri Sriwijaya, Indonesia

## Table of Content

FOREWORD FROM GENERAL CHAIR 4 <sup>th</sup> FIRST 2020 INTERNATIONAL CONFERENCE .....	2
FOREWORD FROM DIRECTOR OF STATE POLYTECHNIC OF SRIWIJAYA.....	4
ORGANIZING COMMITTEE.....	5
KEYNOTE SPEAKER .....	7
Prof. Dr. Chiaki Ogino.....	7
KEYNOTE SPEAKER .....	8
Wahyu Caesarendra, PhD .....	8
KEYNOTE SPEAKER .....	9
Prof. Yuliansyah, M.S.A., Ph.D, Akt, CA .....	9
KEYNOTE SPEAKER .....	10
Dr. H. Dodi Reza Alex Lic, Econ, MBA.....	10
KEYNOTE SPEAKER .....	11
Dr. Muhammad Haikal Satria, IPM .....	11
KEYNOTE SPEAKER .....	12
Assoc. Prof. Dr. Mohammed N. Abdulrazaq Alshekhly .....	12
RUNDOWN .....	13
The 4 <sup>th</sup> FIRST 2020 INTERNATIONAL CONFERENCE.....	13
(FORUM IN RESEARCH SCIENCE AND TECHNOLOGY) .....	13
SNAPTEKMAS (Seminar Nasional Aplikasi Teknologi pada Masyarakat) 2020.....	13
RUNDOWN .....	16
TRACK 1.....	16
(Engineering and Science) .....	16
RUNDOWN .....	19
TRACK 1.....	19
(Engineering and Science) .....	19
RUNDOWN .....	22
TRACK 1.....	22
(Engineering and Science) .....	22
RUNDOWN .....	26
TRACK 2.....	26
(Computer Science, , Computer Engineering, Information System, Informatics Management)	26
.....	26
RUNDOWN .....	30
TRACK 2.....	30
(Computer Science, , Computer Engineering, Information System, Informatics Management)	30
.....	30

RUNDOWN .....	33
TRACK 3 (Social Science).....	33
RUNDOWN .....	36
TRACK 3 (Social Science).....	36
CHARACTERIZATION OF BLENDING COMPOSITION VARIATIONS IN FATTY ACID METHYL ESTER (FAME) BIOFUELS WITH DIESEL TO BIODIESEL .....	51
ID : 2079 .....	51
Yusabri <sup>1,2</sup> , Muhammad Yerizam <sup>3</sup> , Aida Syarif <sup>4</sup> .....	51
<sup>1</sup> Applied Master of Renewable Energy Engineering, Politeknik Negeri Sriwijaya, Jalan Srijaya Negara, Palembang, 30139 Indonesia.....	51
<sup>2</sup> Crude Distillation and Gas Plant Production, PT. Pertamina (Persero) Refinery Unit III, Jalan Beringin, Kompleks Pertamina Refinery Unit III Plaju, Palembang, 30268 Indonesia. ....	51
<sup>3</sup> Chemical Engineering Department, Politeknik Negeri Sriwijaya, Jalan Srijaya Negara, Palembang, 30139 Indonesia.....	51
<sup>4</sup> Renewable Energy Engineering Department, Politeknik Negeri Sriwijaya, Jalan Srijaya Negara, Palembang, 30139 Indonesia. ....	51
PROCESSING PLASTIC WASTE HDPE AND PP ON PYROLYSIS TEMPERATURE USING CU-AL2O3 CATALYST INTO AN ALTERNATIVE LIQUID FUEL.....	52
ID : 2082 .....	52
Pamilia Coniwanti <sup>1</sup> , Fitri Hadiah <sup>1</sup> , David Bahrin <sup>1</sup> , Liza Novriani <sup>1</sup> , Gracia Mei Lie Justina <sup>1</sup> , Robinsyah <sup>1</sup> .....	52
<sup>1</sup> Chemical Engineering Department, Sriwijaya of University, Jl. Raya Palembang-Prabumulih KM. 32, Inderalaya, Ogan Ilir 30662, Indonesia .....	52
THE PURIFICATION OF BIOGAS WITH MONOETHANOLAMINE (MEA) SOLUTION BASED ON THE BIOGAS FLOW RATE .....	53
Id : 2749.....	53
Yohandri Bow <sup>1</sup> , Leila Kalsum <sup>2</sup> , Abu Hasan <sup>2</sup> , A. Husaini <sup>3</sup> , Rusdianasari <sup>2</sup> .....	53
<sup>1</sup> Energy Engineering Department, Politeknik Negeri Sriwijaya, Palembang, 30139 Indonesia.....	53
<sup>2</sup> Renewable Energy Engineering Department, Politeknik Negeri Sriwijaya, Jalan .....	53
Srijaya Negara, Palembang, 30139 Indonesia.....	53
<sup>3</sup> Chemical Engineering Department, Politeknik Negeri Sriwijaya, Jalan Srijaya, .....	53
Negara, Palembang, 30139 Indonesia. ....	53
FILTRATION AND ELECTROCOAGULATION AS A COMBINED PROCESS FOR ELECTROPLATING WASTEWATER.....	54
ID : 2758 .....	54
Rusdianasari <sup>1,*</sup> , Yohandri Bow <sup>2</sup> , Adi Syakdani <sup>3</sup> , Muhammad Taufik <sup>3</sup> .....	54
<sup>1</sup> Renewable Energy Engineering Department, PoliteknikNegeri Sriwijaya, Palembang, Indonesia.....	54

2 Energy Engineering Departmen, Politeknik Negeri Sriwijaya, Palembang, Indonesia..	54
3Chemical Engineering Department, Politeknik Negeri Sriwijaya, Palembang, Indonesia .....	54
STUDY OF TEMPERATURE AND USE OF CATALYSTS IN THE PYROLYSIS OF LDPE PLASTIC WASTE ON THE QUANTITY OF OIL FUEL PRODUCTS PRODUCED .....	55
ID : 2415 .....	55
Novarini <sup>1</sup> , Sigit Kurniawan <sup>2</sup> , Rusdianasari <sup>3</sup> , Yohandri Bow <sup>4</sup> .....	55
<sup>1</sup> Mechanical Engineering Department, Politeknik Jambi, Jambi, Indonesia.....	55
<sup>2</sup> Electronic Engineering Department, Politeknik Jambi, Jambi, Indonesia .....	55
<sup>3</sup> Chemical Engineering Department, Politeknik Negeri Sriwijaya, Palembang, Indonesia .....	55
<sup>4</sup> Energy Engineering Department, Politeknik Negeri Sriwijaya, Palembang, Indonesia .	55
TITANIUM DIOXIDE SOAKING TIME EFFECTS ON DSSC POWERS AND EFFICIENCY .....	56
ID : 2077 .....	56
Rika Musiana <sup>1</sup> , Abu Hasan <sup>2</sup> , RD Kusumanto <sup>3</sup> .....	56
<sup>1</sup> Applied Renewable Energy Engineering Study Program, Politeknik Negeri Sriwijaya,...	56
Jalan Srijaya Negara, Palembang, 30139 Indonesia. ....	56
<sup>2</sup> Renewable Energy Engineering Department, Politeknik Negeri Sriwijaya, Jalan .....	56
Srijaya Negara, Palembang, 30139 Indonesia. <sup>3</sup> Renewable Energy Engineering Department, Politeknik Negeri Sriwijaya, Jalan .....	56
Srijaya Negara, Palembang, 30139 Indonesia.....	56
EFFECT OF FEED COMPOSITION AND PRODUCT QUANTITY OF CO-PROCESSING REFINED BLEACHED DEODORIZED PALM OIL (RBDPO).....	57
Id : 2086.....	57
Juarsa <sup>1,2</sup> , Aida Syarif <sup>3</sup> , Leila Kalsum <sup>3</sup> .....	57
<sup>1</sup> Applied Master of Renewable Energy Engineering, Politeknik Negeri Sriwijaya,.....	57
Jalan Srijaya Negara, Bukit Besar, Palembang, 30139, Indonesia.....	57
<sup>2</sup> Crude Distillation and Light End Production, Pertamina Ltd. (Persero) Refinery Unit III, Beringin Road, Complex of Pertamina Refinery Unit III Plaju, Palembang, 30268 Indonesia .....	57
<sup>3</sup> Renewable Energy Engineering Department, Politeknik Negeri Sriwijaya,.....	57
Jalan Srijaya Negara, Bukit Besar, Palembang, 30139, Indonesia.....	57
TOFU INDUSTRIAL LIQUID WASTE TREATMENT BY ELECTROCOAGULATION METHOD .....	58
ID : 2748 .....	58
Ibnu Hajar <sup>1,*</sup> , Fadarina <sup>1</sup> , Mustain Zamhari <sup>1</sup> , Selastia Yuliaty <sup>1</sup> .....	58
<sup>3</sup> Chemical Engineering Department, Politeknik Negeri Sriwijaya, Palembang, Indonesia	58
EFFECT OF TEMPERATURE ON BIOFUELS PRODUCTION WITH CATALYTIC CRACKING PROCESS.....	59
ID : 2626 .....	59

KA Ridwan <sup>1,2</sup> , Aneasari M <sup>1</sup> , Taufik Jauhari <sup>1</sup> , Ida Febriana <sup>1</sup> .....	59
<sup>1</sup> Chemical Engineering Department, State Polytechnic of Sriwijaya, South Sumatra, Indonesia.....	59
EFFECT OF BENTONITE ON THE YIELD AND COMPOSITION OF PRODUCTS FROM THERMOLYSIS OF POLYSTYRENE WASTE .....	60
ID : 2573 .....	60
Lety Trisnaliani <sup>1a</sup> , Aida Syarif <sup>1</sup> , Sahrul Effendy <sup>1</sup> , Tahdid <sup>1</sup> , Rima Daniar <sup>1</sup> .....	60
<sup>1</sup> Energy Department, Politeknik Negeri Sriwijaya .....	60
PRODUCTION OF BIO-PELET BRIQUETTES FROM COCONUT SHELL WASTE AS ALTERNATIVE ENERGY FOR HOUSEHOLD SCALE .....	61
ID : 2665 .....	61
Muhammad Yerizam* <sup>1</sup> , Muhammad Zaman 1, Taufiq Jauhari1 , Nur Yuli 1, Riwen Setiawan1 , Umaidella Afrilla1.....	61
<sup>1</sup> Jurusan Teknik Kimia,Politeknik Negeri Sriwijaya Jl. Srijaya Negara, Bukit Besar, Palembang 30139, Indonesia.....	61
CATALYTIC PYROLYSIS OF STYROFOAM WASTE USING ZEOLITE CATALYST TO PRODUCE LIQUID FUEL .....	62
ID : 2707 .....	62
Zurohaina <sup>1*</sup> , Irawan Rusnadi, Fatria, Arizal Aswan, Rima Daniar .....	62
<sup>1</sup> Department of Chemical Engineering, Polytechnic of Sriwijaya, Palembang, Indonesia .....	62
PRODUCTION OF GREEN DIESEL FROM CRUDE PALM OIL (CPO) THROUGH HYDROTREATING PROCESS BY USING ZEOLITE CATALYST.....	63
ID : 2715 .....	63
Ahmad Zikri* , Indah Puspita, Erlinawati, Sutini PL, Agus M Elbi Zalita P, Andre Krismantoro .....	63
Energy Engineering, Chemical Engineering Department, State Polytechnic of Sriwijaya 63	
Jl. Srijaya Negara Bukit Besar Palembang 30139, Telp +62711353414 / fax +62711355918.....	63
EFFECT OF ADDING PALM OIL MILL EFFLUENT (POME) AND SLURRY ON BIOGAS FROM COW MANURE TO PRODUCED METHANE GAS .....	64
ID : 2723 .....	64
Muhammad Hanif Fatin <sup>1,*</sup> , A. Husaini <sup>2</sup> , Leila Kalsum <sup>3</sup> .....	64
<sup>1</sup> Applied Renewable Energy Engineering Study Program, Politeknik Negeri Sriwijaya, Jalan Srijaya Negara, Palembang, 30139 Indonesia.....	64
<sup>2</sup> Chemical Engineering Department, Politeknik Negeri Sriwijaya, Jalan Srijaya Negara, Palembang, 30139 Indonesia.....	64
<sup>3</sup> Renewable Energy Engineering Department, Politeknik Negeri Sriwijaya, Jalan Srijaya Negara, Palembang, 30139 Indonesia. ....	64
CHARACTERIZATION OF THERMAL ACTIVATED FLY ASH ADSORBENT BY STUDYING THE EFFECT OF TEMPERATURE .....	65

ID : 2796 .....	65
Aida Syarif <sup>1</sup> , Rusdianasari, M.Yerizam,Sayhirmanyusi, .....	65
<sup>1</sup> Jurusan Teknik Kimia Program Studi Magister Terapan Teknik Energi Baru Terbarukan .....	65
Politeknik Negeri Sriwijaya, Jalan Srijaya Negara Bukit Besar Palembang .....	65
DRYING RATE OF SKIM MILK FROM VIRGIN COCONUT OIL REMAINING WATER .....	66
ID : 2516 .....	66
A Hasan <sup>1</sup> , I Purnamasari <sup>1,2</sup> , M Yerizam <sup>1</sup> , A Hasan <sup>1</sup> and R Junaidi <sup>1</sup> .....	66
<sup>1</sup> Chemical Engineering Department, State Polytechnic of Sriwijaya, South Sumatera, Indonesia.....	66
TOFU INDUSTRIAL WASTEWATER TREATMENT BY ELECTROCOAGULATION METHOD .....	67
ID : 2656 .....	67
Ibnu Hajar <sup>1</sup> ,* Fadarina <sup>1</sup> , Mustain Zamhari <sup>1</sup> , Selastia Yuliaty <sup>1</sup> .....	67
<sup>3</sup> Chemical Engineering Department .....	67
BIOCELLULOSE MEMBRANE OF COCONUT WATER.....	68
ID : 2792 .....	68
Elina Margaretty <sup>1</sup> , Erwana Dewi <sup>2</sup> , Leila Kalsum <sup>3</sup> , Aisyah Suci Ningsih <sup>1</sup> .....	68
<sup>1</sup> ). Lecturer D3-Chemical Engineering Sriwijaya State Polytechnic, Palembang, Indonesia .....	68
<sup>2</sup> ).Lecturer D4- Industrial Chemical Technology, Sriwijaya State Polytechnic, Palembang, Indonesia.....	68
<sup>3</sup> ). Lecturer S2- Renewable Energy Engineering, Sriwijaya State Polytechnic, Palembang, Indonesia.....	68
SURFACTANT METHYL ESTER SULFONATE FROM CRUDE PALM OIL (CPO)- BASED METHYL ESTER.....	69
ID : 2794 .....	69
Jaksen <sup>1</sup> , Idha Silviyati <sup>1</sup> , Endang Supraptiah <sup>1</sup> , Rima Daniar <sup>2</sup> .....	69
<sup>1</sup> ).Lecturer of Chemical Engineering Department, Politeknik Negeri Sriwijaya, Palembang, Indonesia.....	69
<sup>2</sup> ).Lecturee of Energy Engineering Department, Politeknik Negeri Sriwijaya, Palembang, Indonesia.....	69
OIL PALM EMPTY BUNCHES AS AN ALTERNATIVE RAW MATERIAL FOR MAKING BIOPLASTICS .....	70
ID : 2250 .....	70
Husaini A <sup>1</sup> , Zaman M <sup>1</sup> , Chodijah S <sup>1</sup> , Hilwatullisan <sup>1</sup> , Ibrahim <sup>2</sup> .....	70
<sup>1</sup> Chemical engineering Department, Politeknik Negeri Sriwijaya, Jalan Srijaya Negara, Palembang, 30139 Indonesia.....	70
<sup>2</sup> Chemical engineering Study Program, Politeknik Negeri Sriwijaya, Jalan Srijaya Negara, Palembang, 30139 Indonesia.....	70
<i>Corresponding author E-mail address :husaini@polsri.ac.id</i> .....	70



THE EFFECT OF THE CATALYST (NaOH) ON THE PROCESSING OF WASTE USED OIL INTO LIQUID FUEL .....	71
ID : 2511 .....	71
Azharuddin <sup>1</sup> , Syafei <sup>1</sup> , Didi Suryana <sup>1</sup> , Indra HB <sup>1</sup> , M R Rahmaddy <sup>1</sup> .....	71
Y Pratomo <sup>1</sup> , M A Ariasya <sup>1</sup> .....	71
<sup>1</sup> ) Mechanical Engineering Department, State Polytechnic of Sriwijaya, Palembang, 30154, Indonesia.....	71
DESIGN AND PROTOTYPE OF PAVING BLOCK MAKING MACHINE .....	72
ID : 2766 .....	72
Ella Sundari <sup>1</sup> , Soegeng Witjahjo <sup>1</sup> , Eka Satria Martomi <sup>1</sup> , Dodi Tafrant <sup>1</sup> .....	72
Lecturer of Mechanical Engineering Departement, Sriwijaya State Polytechnic .....	72
*Jln. Srijayanegara Bukit Lama, Palembang.....	72
WATER QUALITY MONITORING SYSTEM IN GURAME FISH CULTIVATION BASED ON ESP32 .....	73
ID : 2094 .....	73
Sujito <sup>1</sup> , Mokh. Sholihul Hadi <sup>1</sup> ,I Made Wirawan <sup>1</sup> , Faiz Syaikhoni <sup>2</sup> , Abdullah Iskandar Syah <sup>2</sup> , .....	73
Danny Mayrawan <sup>2</sup> .....	73
<sup>1</sup> Dosen Jurusan Teknik Elektro, Fakultas Teknik, Universitas Negeri Malang .....	73
<sup>2</sup> Mahasiswa Jurusan Teknik Elektro, Fakultas Teknik, Universitas Negeri Malang.....	73
OPTIMIZATION OF STROKE REHABILITATION HAND COMPONENT OF 3D PRINTING WITH TAGUCHI METHOD APPROACH.....	74
ID : 2426 .....	74
Fatahul Arifin <sup>1</sup> , Fenoria Putri <sup>1</sup> , Iskandar <sup>1</sup> , Mulyadi <sup>1</sup> , Suparjo <sup>1</sup> , Franando <sup>1</sup> , Yusuf Dewantoro Herlambang <sup>2(*)</sup> .....	74
<sup>1</sup> Mechanical Engineering Department, Politeknik Negeri Sriwijaya, Palembang, 30154, Indonesia.....	74
<sup>2</sup> Mechanical Engineering Department, Politeknik Negeri Semarang, Semarang, 50275, Indonesia.....	74
EXPERIMENTAL RESEARCH OF THE INFLUENCE OF HOT MACHINING METHOD ON AISI 4340 LATHE MACHINE PROCESS TOWARDS SPECIFIC CUTTING ENERGY AND SURFACE ROUGHNESS.....	75
ID : 2457 .....	75
Ismail T <sup>1</sup> , Dyos S <sup>2</sup> , Joni Y <sup>3</sup> , Samuel S <sup>4</sup> ,Abdurahman W <sup>5</sup> , Aldi Y <sup>6</sup> .....	75
<sup>123456</sup> Mechanical Engineering, Engineering Faculty of Sriwijaya University,.....	75
Jln Raya Palembang - Inderalaya Km 32, Indonesia.....	75
STUDY OF CAPACITOR PLACEMENT TO IMPROVE THE VOLTAGE PROFILE IN CONTINGENCY CONDITIONS OF THE 150 KV MADURA ELECTRICITY POWER SYSTEM .....	76
ID : 2487 .....	76
Sujito <sup>1*</sup> , M. Z. Falah <sup>1</sup> , M. R. Faiz <sup>1</sup> .....	76

<sup>1</sup> Electrical Engineering Department, Universitas Negeri Malang, Indonesia .....	76
THE INVESTIGATION OF SEA SALT SOILING ON PV PANEL .....	77
ID : 2488 .....	77
Tresna Dewi <sup>1</sup> , Ahmad Taqwa <sup>2</sup> , Rusdianasari <sup>2</sup> , RD Kusumanto <sup>1</sup> , and Carlos Sitompul <sup>1</sup> ...	77
<sup>1</sup> Electrical Engineering Department, Politeknik Negeri Sriwijaya, Jalan Srijaya Negara, Palembang, 30139 Indonesia.....	77
<sup>2</sup> Renewable Energy Engineering Department, Politeknik Negeri Sriwijaya, Jalan .....	77
Srijaya Negara, Palembang, 30139 Indonesia.....	77
REAL-TIME WIRELESS CONCEPT OF VEHICLE TO VEHICLE CHARGING SYSTEM.....	78
ID: 2490 .....	78
Yurni Oktarina <sup>1</sup> , Tresna Dewi <sup>1</sup> , Pola Risma <sup>1</sup> , and Muhammad Nawawi <sup>1</sup> .....	78
<sup>1</sup> Electrical Engineering Department, Politeknik Negeri Sriwijaya, Jalan Srijaya Negara Palembang, Indonesia 30139.....	78
OPTIMIZATION OF FDM 3D PRINTING PROCESS PARAMETER FOR IMPROVING POROSITY ACCURACY OF PLA SCAFFOLD.....	79
ID : 2522 .....	79
Zainal Abidin <sup>1</sup> , M. Yanis <sup>1</sup> , M. Zahri Kadir <sup>1</sup> , Astuti <sup>1</sup> , Akbar Teguh Prakoso <sup>1</sup> , Edo Syahrizal <sup>1</sup> , Ardiyansyah Syahrom <sup>2,3</sup> , Hasan Basri <sup>1,*</sup> .....	79
Department of Mechanical Engineering, Faculty of Engineering, Universitas Sriwijaya, Indralaya 30662, Ogan Ilir, South Sumatera, Indonesia .....	79
Department of Applied Mechanics and Design, Faculty of Mechanical Engineering, Universiti Teknologi Malaysia, Skudai 81310, Johor, Malaysia .....	79
Medical Device and Technology Center (Meditec), Institute of Human-Centered and Engineering (IHCE), Universiti Teknologi Malaysia, Skudai 81310, Johor, Malaysia.....	79
FATIGUE PREDICTION OF POROUS MAGNESIUM BONE SCAFFOLD USING FINITE ELEMENT METHOD .....	80
ID: 2527 .....	80
Risky Utama Putra <sup>1</sup> , Akbar Teguh Prakoso <sup>1</sup> , Amir Putra Md Saad <sup>2,3</sup> , Ardiyansyah Syahrom <sup>2,3</sup> , Hasan Basri <sup>1,*</sup> .....	80
Mechanical Engineering Master Study Program, Faculty of Engineering, Universitas Sriwijaya, Indralaya 30662, Ogan Ilir, South Sumatera, Indonesia .....	80
Department of Applied Mechanics and Design, Faculty of Mechanical Engineering, Universiti Teknologi Malaysia, Skudai 81310, Johor, Malaysia .....	80
Medical Device and Technology Center (Meditec), Institute of Human-Centered and Engineering (IHCE), Universiti Teknologi Malaysia, Skudai 81310, Johor, Malaysia.....	80
THE GROUNDING SYSTEM IN FEEDER TOMAT PT. PLN (PERSERO) ULP MARIANA .....	81
ID : 2763 .....	81
Bambang Guntoro, Siswandi, Zainuddin Idris, M. Yunus .....	81
Email : bguntoro57@gmail.com .....	81
OPTIMIZATION OF PRODUCTION PROCESS PARAMETERS OF DLP TYPE 3D PRINTER DESIGN	

FOR PRODUCT ROUGHNESS VALUE.....	82
ID : 2510 .....	82
DP Putra <sup>1</sup> , Romli <sup>2</sup> , D Seprianto <sup>2</sup> , Hasan Basri <sup>1,*</sup> .....	82
<sup>1</sup> Mechanical Engineering Master Study Program, Universitas Sriwijaya .....	82
Jalan Srijaya Negara Bukit Besar Palembang, Sumatera Selatan, 30139, Indonesia .....	82
<sup>2</sup> Mechanical Engineering Department, Politeknik Negeri Sriwijaya.....	82
Jalan Srijaya Negara Bukit Besar Palembang, Sumatera Selatan, 30139, Indonesia .....	82
DESIGN OF ELECTRONIC INSTRUMENTS AS TOOLS AIR POLLUTION DETECTION.....	83
ID : 2592 .....	83
Ali Nurdin <sup>1</sup> ( <b>ali_viking_kps@yahoo.com</b> . aalinurdin67@gmail.com), Jon Endri, .....	83
Ibnu Ziad <sup>3</sup> , Ciksadan <sup>4</sup> .....	83
<sup>1,2,3,4</sup> Politeknik Negeri Sriwijaya .....	83
<i>Jl. Srijaya Negara Bukit Besar – Palembang</i> .....	83
Datalogger experimental analysis based on arduino mega 2560 on a 100 wp monocrystalline solar panel using perforated plate.....	84
ID : 2249 .....	84
W Adipradana <sup>1</sup> , A Sofijan <sup>2</sup> , Rahmawati <sup>3</sup> , I Bizzy <sup>4</sup> , R Sipahutar <sup>5</sup> , M A Fajri <sup>6</sup> .....	84
<sup>1,2,3,6</sup> Department of Electrical Engineering, Engineering Faculty, Sriwijaya University, Indonesia.....	84
<sup>4,5</sup> Department of Mechanical Engineering, Engineering Faculty, Sriwijaya University, Indonesia.....	84
A_sofijan@ft.unsri.ac.id.....	84
THE EFFECT OF INDUCTION HEATING ON TENSILE TEST SPECIMENS' CLAMPING PRODUCTS THROUGH THE MEDIUM CARBON STEEL MATERIALS' ENGINEERING TECHNIQUE .....	85
ID : 2722 .....	85
Romli <sup>1,*</sup> , M. Afif Rizkiawan <sup>1</sup> , Karmin <sup>1</sup> , Sairul Effendi <sup>1</sup> , Firdaus <sup>1</sup> .....	85
<sup>1</sup> Mechanical Engineering Department, State Polytechnic of Sriwijaya, Indonesia .....	85
DEVELOPMENT INTERNET OF THINGS FOR WATER QUALITY MONITORING SYSTEM FOR GOURAMY CULTIVATION.....	86
ID: 2484 .....	86
D Mayrawan <sup>2</sup> , Sujito <sup>1,2*</sup> , I M Wirawan <sup>2</sup> , F S Aziz <sup>1,2</sup> , A I Syah <sup>2</sup> , M A A Shidiqi <sup>2</sup> .....	86
<sup>1</sup> Electrical Engineering Postgraduate, Universitas Negeri Malang, Indonesia .....	86
<sup>2</sup> Electrical Engineering Department, Universitas Negeri Malang, Indonesia .....	86
CONTINGENCY ANALYSIS ON 150 KV ELECTRICITY POWER SYSTEM ON THE MADURA ISLAND BASED ON THE 1P1Q METHOD .....	87
ID : 2485 .....	87
M Z Falah <sup>1</sup> , Sujito <sup>1*</sup> , I M Wirawan <sup>1</sup> . .....	87
<sup>1</sup> Electrical Engineering Department, Universitas Negeri Malang, Indonesia .....	87
PROTOTYPE OF SMALL SAVONIUS WIND TURBINE .....	88

ID : 2797 .....	88
Ozkar F. Homzah <sup>1,*</sup> Tri Widagdo <sup>1</sup> Mardiana <sup>1</sup> Ibnu Asrofi <sup>1</sup> Destra A Pratama <sup>2</sup> .....	88
<sup>1</sup> Department of Mechanical Engineering, Politeknik Negeri Sriwijaya, Palembang, Indonesia.....	88
<sup>2</sup> Department of Electrical Engineering, Politeknik Negeri Sriwijaya, Palembang, Indonesia .....	88
THE FORMATION OF MACHINE COMPONENTS USING POWDER METALLURGY METHOD UTILIZING METAL POWDER FROM GRINDING PROCESS .....	89
ID : 2780 .....	89
Yahya, S.T.,M.T <sup>1</sup> , Muhammad Rasid, S.T.,M.T <sup>2</sup> ,.....	89
Dicky Seprianto, S.T.,M.T. <sup>3</sup> , Siproni, S.T.,M.T. <sup>4</sup> .....	89
<i>Departement of Mecahanical Engineering, Politeknik Of Sriwijaya, Palembang, Indonesia</i> .....	89
SIMULATION-BASED ANALYSIS ON VACUUM ACTUATED SOFT ROBOTIC GRIPPER: TRAJECTORY AND STRESS INTENSITY FACTOR .....	90
ID :2736 .....	90
Noer Fadzri Perdana Dinata <sup>1</sup> , Hasan Basri <sup>1,*</sup> .....	90
<sup>1</sup> Mechanical Engineering Master Study Program, Universitas Sriwijaya, Jalan Srijaya Negara Bukit Besar Palembang, Sumatera Selatan, 30139, Indonesia.....	90
*Corresponding author. Email: hasan_basri@unsri.ac.id .....	90
FAILURE ANALYSIS AND PERFORMANCE ASSESSMENT OF TUBULAR AIR HEATER AT PLTU SOUTH SUMATRA V .....	91
ID : 2731 .....	91
Lulu Khoirunnisa <sup>1</sup> , Hasan Basri <sup>2,*</sup> .....	91
<sup>1</sup> Mechanical Engineering Master Study Program, Universitas Sriwijaya.....	91
Jalan Srijaya Negara Bukit Besar Palembang, Sumatera Selatan, 30139, Indonesia .....	91
AUTOMATIC SIMULATION OF MOVING PRODUCTS USING LINE FOLLOWER AND CONVEYOR .....	92
ID : 2787 .....	92
Almadora Anwar Sani <sup>1,*</sup> Rachmat Dwi S <sup>2</sup> , Irawan Malik <sup>3</sup> , Ali Medi <sup>4</sup> , Agus Nugraha <sup>5</sup> .....	92
<sup>1</sup> mechanical engineering, Politeknik Negeri Sriwijaya, .....	92
<sup>2</sup> mechanical engineering, Politeknik Negeri Sriwijaya .....	92
<sup>3</sup> mechanical engineering, Politeknik Negeri Sriwijaya .....	92
<sup>4</sup> mechanical engineering, Politeknik Negeri Sriwijaya .....	92
<sup>5</sup> mechanical engineering, Politeknik Negeri Sriwijaya .....	92
MONITORING DEPTH OF DISCHARGE OF A VALVE REGULATED LEAD ACID BATTERY IN A STANDALONE PV SYSTEM.....	93
ID : 2751 .....	93
Mirdiansyah <sup>1,*</sup> Ahmad Taqwa <sup>2</sup> , Yohandri Bow <sup>3</sup> .....	93



<sup>1</sup> Applied Renewable Energy Engineering Study Program, Politeknik Negeri Sriwijaya, Jalan Srijaya Negara, Palembang, 30139 Indonesia.....	93
<sup>2</sup> Renewable Energy Engineering Department, Politeknik Negeri Sriwijaya, Jalan Srijaya Negara, Palembang, 30139 Indonesia .....	93
<sup>3</sup> Energy Engineering Department, Politeknik Negeri Sriwijaya, Jalan Srijaya Negara, Palembang, 30139 Indonesia.....	93
The Effect of Parameter Process 3D Printer Technology Digital Light Processing to Geometric of Shaft.....	94
ID : 2650 .....	94
A Zamheri <sup>1,*</sup> D Seprianto <sup>2</sup> , Carlos RS <sup>3</sup> , Indri A <sup>4</sup> , TC Persada <sup>5</sup> .....	94
<sup>1</sup> Mechanical Engineering Department, State Polytechnic of Sriwijaya, Indonesia .....	94
<sup>2</sup> Mechanical Engineering Department, State Polytechnic of Sriwijaya, Indonesia .....	94
<sup>3</sup> Electrical Engineering Department, State Polytechnic of Sriwijaya, Indonesia .....	94
<sup>4</sup> Informatics Management Department,, State Polytechnic of Sriwijaya, Indonesia.....	94
<sup>5</sup> Mechanical Engineering Department, State Polytechnic of Sriwijaya, Indonesia.....	94
BENDING TEST GALVALUM COLD FORMED STEEL BEAM WITH VARIATION MORTAR AND REINFORCEMENT BARS. ....	95
ID : 2073 .....	95
Fadhila Firdausa, Sri Rezki Artini, Ahmad Syapawi, Puryanto .....	95
Civil Engineering Polytechnic of Sriwijaya.....	95
INDEX OF RETAINED STRENGTH AND WEIGHT LOSS ON FLEXIBLE PAVEMENT AC-WC AND HRS-WC USING POLYMER PRODUCTS ETHYLENE VINYL ACETATE (EVA) AND STYRENE-BUTADIENE-STYRENE (SBS) .....	95
ID : 2089 .....	95
Pataras M <sup>1</sup> , Kadarsa E <sup>2</sup> , Permata D Y <sup>3</sup> , Khairunnisa S <sup>4</sup> , Akbar M A <sup>5</sup> , Pratama Y <sup>6</sup> .....	96
<sup>1</sup> Civil Engineering Department, Sriwijaya University, Raya Prabumulih Road, Indralaya, Sumatera Selatan .....	96
<sup>2</sup> Civil Engineering Department, Sriwijaya University, Raya Prabumulih Road, Indralaya, Sumatera Selatan .....	96
<sup>3</sup> Civil Engineering Department, Sriwijaya University, Raya Prabumulih Road, Indralaya, Sumatera Selatan .....	96
UTILIZATION OF RESIDUAL SAND MATERIALS FROM THE MINING OF KAOLIN AND TIN IN BANGKA ISLAND ON FLEXIBLE PAVEMENT STRUCTURE .....	97
ID : 2101 .....	97
Adhitya B B <sup>1</sup> , Pataras M <sup>2</sup> , Kurnia A Y <sup>3</sup> , Wiranda N <sup>4</sup> , Wulansari W <sup>5</sup> , Islami B M <sup>6</sup> .....	97
<sup>1</sup> Civil Engineering Department, Sriwijaya University, Indralaya, Sumatera Selatan .....	97
<sup>2</sup> Civil Engineering Department, Sriwijaya University, Indralaya, Sumatera Selatan .....	97
<sup>3</sup> Civil Engineering Department, Sriwijaya University, Indralaya, Sumatera Selatan .....	97
THE INFLUENCE OF ANADARA GRANOSA'S SHELL WASTE AS A SUBSTITUTE OF FINE AGGREGATE IN MIXED ASPHALT CONCRETE WEARING COURSE (AC-WC) .....	98

ID : 2218 .....	98
Ika Sulianti <sup>1</sup> , Ibrahim <sup>1</sup> , Indah Ayu Wiloka <sup>1</sup> , Reta Iftitah Sari <sup>1</sup> .....	98
1. State Polytechnic of Sriwijaya, Jl. Sriwijaya Negara Bukit Besar Palembang 30139, .....	98
South Sumatera – Indonesia.....	98
ANALYSIS OF THE IMPACT OF PALEMBANG- INDRALAYA (PALINDRA) TOLL ROAD TO PALEMBANG – INDRALAYA NATIONAL ROAD SERVICE LEVELS .....	99
ID : 2236 .....	99
S Nisumanti*, N Puspita, and S Mulyaningsih, .....	99
Civil Engineering Department, Universitas Indo Global Mandiri, Jalan Jend. Sudirman KM.4 No.629 Palembang, Indonesia .....	99
THE EFFECT OF FLY ASH AS A PART CEMENT INSTITUTION ON HIGH-QUALITY CONCRETE FC'35 .....	100
ID: 2402 .....	100
<b>Sazili Harnawansyah<sup>1</sup>, Herlinawati<sup>1(*)</sup>, Bastoni Hasasi<sup>1</sup>, Radius Pranoto<sup>1</sup> ....</b>	<b>100</b>
1 Civil Engineering Department, Sriwijaya State Polytechnic, Palembang, 30154, Indonesia .....	100
THE USE OF COLD-FORMED STEEL AS A SUBSTITUTE FOR REINFORCEMENT ON STRUCTURAL OF LIGHTWEIGHT CONCRETE BEAMS.....	101
ID : 2553 .....	101
Mahmuda <sup>1</sup> , Revias <sup>2</sup> , Siswa Indra <sup>3</sup> , Sumiati <sup>4</sup> .....	101
Civil Engineering Departement, State Polytechnic Sriwijaya, Sriwijaya Negara street, Bukit Besar Palembang, 30139, Indonesia.....	101
THE EFFECT OF AIR PRESSURE ON FOAMED MORTAR PRODUCTION.....	102
ID : 2724 .....	102
Ibrahim <sup>1</sup> , Amiruddin <sup>1</sup> , and Ika Sulianti <sup>1</sup> , and Agus Subrianto <sup>1</sup> .....	102
1. State Polytechnic of Sriwijaya, Jl. Sriwijaya Negara Bukit Besar Palembang 30139, ....	102
South Sumatera – Indonesia.....	102
THE CHARACTERISTICS OF FOLDING BICYCLE USERS AGAINST THE SELECTION OF TRANSPORTATION MODES IN PALEMBANG CITY.....	103
ID : 2767 .....	103
Efrilia Rahmadona <sup>1</sup> , Sudarmadji <sup>2</sup> , Norca Praditya <sup>3</sup> , M. Ade Surya Pratama <sup>4</sup> .....	103
<sup>1</sup> Politeknik Negeri Sriwijaya .....	103
<sup>2</sup> Politeknik Negeri Sriwijaya .....	103
<sup>3</sup> Politeknik Negeri Sriwijaya .....	103
<sup>4</sup> Politeknik Negeri Sriwijaya .....	103
EFFECT OF AMOUNT POTASSIUM HYDROXIDE, METHANOL, AND ELECTRICITY CURRENT ON THE PRODUCTION PROCESS OF METHYL ESTERS FROM USED FRYING OIL .....	104
ID : 2081 .....	104
Rosdiana Moeksin.....	104

Teknik Kimia, Universitas Sriwijaya Palembang-Indonesia. ....	104
OPTIMIZATION OF PUBLIC TRASPORT SERVICEBUS RAPID TRANSIT (BRT) TRANS MUSI IN THE CITY OFPALEMBANG .....	105
ID : 2611 .....	105
Moch.Absor,Yusri, A.Latif, A. Fuad Z.Muhammad Yusri R.Civil Engineering, Politeknik Negeri Sriwijaya, Palembang, Indonesia .....	105
absorputrasyam@gmail.com, yusribermawi18@gmail.com,Latiftamim56@yahoo.com,fuadzainin13@yahoo.com, muhammadyusririzki@gmail.com .....	105
LIFE CYCLE ASSESSMENT (LCA) IN PULP & PAPER MILLS: COMPARISON BETWEEN MFO WITH BIOMASS IN LIME KILN .....	106
ID : 2109 .....	106
Yonki Alexander Volta <sup>1</sup> , Rusdianasari <sup>2</sup> , Syahirman Yusi <sup>3</sup> .....	106
<sup>1</sup> Applied Renewable Energy Engineering Study Program, Politeknik Negeri Sriwijaya, Jalan Srijaya Negara, Palembang, 30139 Indonesia. ....	106
<sup>2</sup> Renewable Energy Engineering Department, Politeknik Negeri Sriwijaya, Jalan Srijaya Negara, Palembang, 30139 Indonesia. ....	106
<sup>3</sup> Business Administration Department, Politeknik Negeri Sriwijaya, Jalan Srijaya Negara, Palembang, 30139 Indonesia.....	106
EFFECT OF VARIATIONS CONCENTRATION AND PH OF LIQUID SMOKE IN THE IMMERSION WITH VARIOUS TYPES OF FISH .....	107
ID : 2120 .....	107
by .....	107
Farida Ali, Corresponding author, Lecturer, Faculty of Chemical Engineering, Universitas Sriwijaya.....	107
Lia Cundari, Lecturer, Faculty of Chemical Engineering, Universitas Sriwijaya.....	107
Siti Miskah, Lecturer, Faculty of Chemical Engineering, Universitas Sriwijaya.....	107
Hendri Prasetyo, Student, Faculty of Chemical Engineering, Universitas Sriwijaya.....	107
COMPARISON OF THE USE OF FLY ASH AND RICE HUSK ASH IN THE MAKING OF GEOPOLYMER CONCRETE.....	108
ID : 2154 .....	108
Indrayani <sup>1*</sup> , Andi Herius <sup>1</sup> , Akhmad Mirza <sup>1</sup> , Ricky Ravsyah Alhafez <sup>1</sup> .....	108
<sup>1</sup> Civil Engineering Department, Politeknik Negeri Sriwijaya, Palembang, Indonesia ....	108
FLEXURAL STRENGTH ANALYSIS OF CONCRETE WITH THE ADDITION OF B3 WASTE AS AN ADDITIVE TO ORDINARY PORTLAND CEMENT (OPC).....	109
ID :2235 .....	109
N Puspita*, Y Arti and Febriyandi .....	109
Civil Engineering Department, Universitas Indo Global Mandiri, Jalan Jend. Sudirman KM.4 No.629 Palembang, Indonesia .....	109
SIMULATION OF SILAGE PRODUCTION FROM WATER HYACINTH ( <i>EICHORNIA CRASSIPES</i> )	





*Martha Aznury <sup>1</sup> Elina Margerty <sup>1</sup> Melianti <sup>1</sup> Sofiah <sup>1</sup> Yuniar <sup>1</sup> Sufi Awwaliyah <sup>1</sup> .....	115
1Department of Chemical Engineering, Politeknik Negeri Sriwijaya, Palembang, Indonesia .....	115
ROAD DAMAGE CONDITIONS ANALYSIS OF TANJUNG API-API - GASING DISTRICT ROAD BASED ON SURFACE DISTRESS INDEX (SDI) METHOD.....	116
ID : 2744 .....	116
R. Marpen <sup>1</sup> , A. Hasan <sup>2</sup> , AN. Sari <sup>3</sup> , HWS. Putra <sup>4</sup> , R. Pranoto <sup>5</sup> .....	116
<sup>12345</sup> Jurusan Teknik Sipil, Politeknik Negeri Sriwijaya, Palembang Jl. Srijaya Negara Bukit Besar, Palembang, Sumatera Selatan 30139 .....	116
DATA MODEL PATTERN FOR DATA WAREHOUSE WEB APPLICATION OF INFORMATION PORTAL (Case study : Hidyatullah Integrated Islamic Boarding School, Banyuasin Regency) .....	117
ID : 2550 .....	117
M Aris Ganiardi <sup>1</sup> ,Nita Novita <sup>2</sup> , Indri Ariyanti <sup>3</sup> , Delta Khairunnisa <sup>4</sup> .....	117
Informatics Management Department, Politeknik Negeri Sriwijaya, Srijaya Negara Street, Palembang, 30139, Indonesia.....	117
INVENTORY CONTROL AND EOQ FORECASTING TOOLS AS EFFECTIVE DECISION-MAKING MODEL.....	118
ID : 2577 .....	118
Ahmad Rifai <sup>1</sup> , Dedy Kurniawan <sup>2*</sup> , Ariansyah Saputra <sup>3</sup> , .....	118
Dinna Yunika Hardiyanti <sup>4</sup> .....	118
1-4 Faculty of Computer Science, Universitas Sriwijaya, Indonesia .....	118
2*Advanced Programming Laboratory, Faculty of Computer Science, Universitas Sriwijaya, Indonesia.....	118
3 Department of Computer Engineering, Politeknik Negeri Sriwijaya, Indonesia .....	118
INCREASING SENSITIVITY OF PH DETECTION USING COMPUTER VISION BASED BIOSENSORS.....	119
ID : 2096 .....	119
Faiz Syaikhoni Aziz <sup>1,2</sup> , Sujito <sup>1,2</sup> , Aji Prasetya Wibawa <sup>1,2</sup> , I Made Wirawan <sup>2</sup> , Ari Priharta <sup>1,2</sup> , Abdullah Iskandar Syah <sup>2</sup> , Tran Huu Duy <sup>3</sup> .....	119
<sup>1</sup> Electrical Engineering Postgraduate, Universitas Negeri Malang .....	119
<sup>2</sup> Electrical Engineering Department, Universitas Negeri Malang .....	119
<sup>3</sup> Electrical Engineering Department, Dalat University .....	119
ADAPTIVE FUZZY TIME SERIES METHOD TO FORECASTING ENROLLMENTS OF NEW STUDENT (CASE STUDY : DEPARTMENT OF COMPUTER ENGINEERING, STATE POLYTECHNIC OF SRIWIJAYA).....	120
ID : 2603 .....	120
Ica Admirani <sup>1</sup> , Ikhthison Mekongga <sup>2</sup> , Isnaini Azro <sup>3</sup> , Hidayati Ami <sup>4</sup> , Rian Rahmanda Putra <sup>5</sup> .....	120
1Department of Computer Engineering, State Polytechnic of Sriwijaya, JL.Srijaya Negara Bukit Besar, Palembang,30139, Indonesia. ....	120

2Department of Computer Engineering, State Polytechnic of Sriwijaya, JL.Srijaya Negara Bukit Besar, Palembang,30139, Indonesia. ....	120
3Department of Computer Engineering, State Polytechnic of Sriwijaya, JL.Srijaya Negara Bukit Besar, Palembang,30139, Indonesia. ....	120
4Department of Computer Engineering, State Polytechnic of Sriwijaya, JL.Srijaya Negara Bukit Besar, Palembang,30139, Indonesia. ....	120
5Department of Computer Engineering, State Polytechnic of Sriwijaya, JL.Srijaya Negara Bukit Besar, Palembang,30139, Indonesia ....	120
ROOM SAFETY SYSTEM USING FACE RECOGNITION USING TELEGRAM AND RASPBERRY PI BASED HISTOGRAM OF ORIENTED METHOD.....	121
ID : 2613 .....	121
Azwardi, Yulian Mirza, Alan Novi Tomponu, Ariansyah Saputra .....	121
Program Studi Teknik Komputer, Politeknik Negeri Sriwijaya .....	121
Jl. Srijaya Negara Bukit Besar- Palembang 30139 .....	121
Telp. 0711-353414, Fax. 0711- 355918 .....	121
TELEMETRY DESIGN ACCURATION OF PATIENT’S TEMPERATURE WITH IOT APPROACH. ....	122
ID : 2618 .....	122
Ahyar Supani <sup>1,*</sup> , Ahmad Bahri Joni Malyan <sup>1</sup> , Herlambang Saputra <sup>1</sup> , Indarto <sup>1</sup> , Yuli Andriani <sup>2</sup> .....	122
<sup>1</sup> <i>Department of Computer Engineering, Polytechnic State of Sriwijaya, Palembang, Indonesia.....</i> .....	122
<sup>2</sup> <i>Department of Mathematics, Sriwijaya University, Palembang, Indonesia.....</i> .....	122
Image processing system for pH classification using biosensors .....	123
ID : 2097 .....	123
Sujito <sup>1,2*</sup> , A P Wibawa <sup>1,2</sup> , I M Wirawan <sup>2</sup> , Aripriharta <sup>1,2</sup> , F S Aziz <sup>1</sup> , A I Syah <sup>2</sup> , T H Duy <sup>3</sup> .....	123
<sup>1</sup> Electrical Engineering Postgraduate, Universitas Negeri Malang, Indonesia .....	123
<sup>2</sup> Electrical Engineering Department, Universitas Negeri Malang, Indonesia .....	123
<sup>3</sup> Electrical Engineering Department, Dalat University, Vietnam .....	123
QUALITY MEASUREMENT EVALUATION OF THE POLSRI LEARNING MANAGEMENT SYSTEM WEBSITE USING IMPORTANCE PERFORMANCE ANALYSIS (IPA) METHOD .....	124
ID : 2274 .....	124
Irma Salamah <sup>1</sup> , Lindawati <sup>2</sup> , Asriyadi <sup>3</sup> , M.Fadhli <sup>4</sup> .....	124
<sup>1,2,3,4</sup> Telecommunication Program Studi State Polytechnic of Sriwijaya.....	124
RESTFUL WEB SERVICE AS DATA GENERATOR FOR REPORTING OF ACADEMIC INFORMATION SYSTEM.....	125
ID : 2620 .....	125
M. Miftakul Amin <sup>*1</sup> , Slamet Widodo <sup>2</sup> , Adi Sutrisman <sup>3</sup> , Ervi Cofriyanti <sup>4</sup> , Ali Firdaus <sup>5</sup> .....	125
<sup>1,2,3,4,5</sup> Department of Computer Engineering, Politeknik Negeri Sriwijaya, Jl. Srijaya Negara Bukit Besar, Palembang, 30139, Indonesia .....	125

DESIGN AND IMPLEMENTATION OF LEARNING E-SCHEDULING IN SRIWIJAYA STATE POLYTECHNIC - TELECOMMUNICATION ENGINEERING STUDY PROGRAM.....	126
ID : 2666 .....	126
Abdul Rakhman <sup>1</sup> , Irawan Hadi <sup>2</sup> , Nasron <sup>3</sup> , Martinus Mujur Rose <sup>4</sup> .....	126
<sup>1,2,3,4</sup> Politeknik Negeri Sriwijaya .....	126
Jl. Sriwijaya Negara Bukit Besar – Palembang .....	126
PHP PROGRAMMING FOR ACHIEVING STUDENTS IN INFORMATICS MANAGEMENT DEPARTMENT STATE OF POLYTECHNIC SRIWIJAYA.....	127
ID : 2702 .....	127
Yusniarti <sup>1</sup> .....	127
Henny Madora <sup>2</sup> .....	127
Ida Wahyuningrum <sup>3</sup> .....	127
Muhammad Noval <sup>4</sup> .....	127
<sup>1234</sup> .Jurusan Manajemen Informatika Politeknik Negeri Sriwijaya.....	127
MEDICAL SERVICES APPLICATION OF LECTURERS, STAFF AND STUDENTS IN THE SRIWIJAYA STATE POLYTECHNIC POLYCLINIC .....	128
ID : 2704 .....	128
Robinson <sup>1</sup> , Deri Darfin <sup>2</sup> , Zulkarnaini <sup>3</sup> , Ridwan Effendi <sup>4</sup> , .....	128
<sup>1</sup> Polsri Jl. Sriwijaya Negara Bukit Besar Palembang Sumatera Selatan .....	128
<sup>2</sup> Polsri Jl. Sriwijaya Negara Bukit Besar Palembang Sumatera Selatan .....	128
<sup>3</sup> Polsri Jl. Sriwijaya Negara Bukit Besar Palembang Sumatera Selatan .....	128
<sup>4</sup> Polsri Jl. Sriwijaya Negara Bukit Besar Palembang Sumatera Selatan.....	128
PROTOTYPE DEVELOPMENT OF MOTORBIKE TOWING HOOK TOWARD AUTHORIZED MECHANIC PERCEPTION AND INVESTIGATION .....	129
ID : 2768 .....	129
Rahman Hakim <sup>1</sup> , Muhammad Hasan Albana <sup>1</sup> , Widodo <sup>1</sup> , Hanifah Widiastuti <sup>1</sup> and Wahyu Caesarendra <sup>2*</sup> .....	129
<sup>1</sup> Department of Mechanical Engineering, Politeknik Negeri Batam, Jl. A. Yani, Batam Center, Kota Batam 29461, Indonesia .....	129
<sup>2</sup> Faculty of Integrated Technologies, Universiti Brunei Darussalam, Jalan Tungku Link, Gadong BE1410, Brunei Darussalam.....	129
INVESTIGATION STUDY OF PRESSURE DIFFERENT EFFECT AT EVAPORATOR IN ORGANIC RANKINE CYCLE SIMULATOR (ORCS) USING LOW-GRADE WASTE HEAT .....	130
ID : 2770 .....	130
Mochamad Denny Surindra <sup>1</sup> , Wahyu Caesarendra <sup>2*</sup> .....	130
<sup>1</sup> Mechanical Engineering, Politeknik Negeri Semarang, Semarang 50275, Indonesia; Email: dennysurindra@polines.ac.id .....	130
<sup>2</sup> Faculty of Integrated Technologies, Universiti Brunei Darussalam, Jalan Tungku Link, Gadong BE1410, Brunei Darussalam.....	130
APPLICATION OF TRACKING LETTER DISPOSITION AT STATE POLYTECHNIC OF SRIWIJAYA	

BASED ON ANDROID WEBVIEW .....	131
ID : 2644 .....	131
Satriadi, Indra <sup>1,*</sup> Oktapriandi, Sony., Meileni, Hetty., Aprianty, Desy.....	131
<sup>1</sup> State Polytechnic of Sriwijaya .....	131
THE SHORTEST PATH SEARCH APPLICATION FOR BASE TRANSCIEVER STATION (BTS) USING A* ALGORITHM .....	132
ID : 1994 .....	132
Ikhthison Mekongga <sup>1</sup> , Aryanti Aryanti <sup>2,3</sup> .....	132
<sup>1</sup> Computer Engineering, Politeknik Negeri Sriwijaya, Palembang, Indonesia .....	132
<sup>2</sup> Electrical Engineering, Politeknik Negeri Sriwijaya, Palembang, Indonesia.....	132
<sup>3</sup> Electrical Engineering, Southern Taiwan University of science and Technology, Tainan, Taiwan .....	132
COMPATIBILITY OF LINUX ARCHITECTURE FOR DISKLESS TECHNOLOGY SYSTEM.....	133
ID : 2615 .....	133
Aryanti Aryanti <sup>1,2*</sup> , Ade Silvia Handayani <sup>2</sup> , Ibnu ziad <sup>2</sup> , Ikhthison Mekongga <sup>3</sup> , Farid Jatri Abiyyu <sup>2</sup> .....	133
<sup>1</sup> Electrical Engineering, Southern Taiwan University of science and Technology, Tainan, Taiwan .....	133
<sup>2</sup> Electrical Engineering, Politeknik Negeri Sriwijaya, Palembang, Indonesia.....	133
<sup>3</sup> Computer Engineering, Politeknik Negeri Sriwijaya, Palembang, Indonesia .....	133
RESERVOIR IRRIGATION SYSTEM DESIGN BASED WIRELESS SENSOR NETWORK .....	134
ID : 2636 .....	134
M. Zakuan Agung <sup>1</sup> ), Eka Susanti <sup>2</sup> ), R.A Halimatussa'diyah <sup>3</sup> ), Susanzefi <sup>4</sup> ), Amirah Fakhirah <sup>5</sup> ) .....	134
<sup>1,2,3,4,5</sup> Department of Polytechnic Sriwijaya, Jalan Srijaya Negera, Bukit Besar, Palembang - Indonesia .....	134
USING NIGHT VISION CAMERA ROBOT BASED ON INTERNET OF THING .....	135
ID : 2817 .....	135
Sarjana <sup>1</sup> ), Adewasti <sup>2</sup> ), Sholihin <sup>3</sup> ), Emilia Hesti <sup>4</sup> ), Amirah Fakhirah <sup>5</sup> ) .....	135
<sup>1</sup> Department of Polytechnic Sriwijaya, Jalan Srijaya Negera, Bukit Besar, Palembang - Indonesia.....	135
<sup>2</sup> Department of Polytechnic Sriwijaya, Jalan Srijaya Negera, Bukit Besar, Palembang - Indonesia.....	135
<sup>3</sup> Department of Polytechnic Sriwijaya, Jalan Srijaya Negera, Bukit Besar, Palembang - Indonesia.....	135
<sup>4</sup> Department of Polytechnic Sriwijaya, Jalan Srijaya Negera, Bukit Besar, Palembang - Indonesia.....	135
<sup>5</sup> Department of Polytechnic Sriwijaya, Jalan Srijaya Negera, Bukit Besar, Palembang - Indonesia.....	135
Biometric Fingerprint Implementation for Presence Checking and Room Access Control System	



.....	136
ID : 2726 .....	136
Yudi Wijanarko <sup>1</sup> , Selamat Muslimin <sup>2</sup> , *Renny Maulidda <sup>3</sup> , .....	136
Yordan Hasan <sup>4</sup> , Abdurrahman <sup>5</sup> .....	136
<sup>1</sup> Politeknik Negeri Sriwijaya.....	136
<sup>2</sup> Politeknik Negeri Sriwijaya .....	136
<sup>3</sup> Politeknik Negeri Sriwijaya.....	136
<sup>4</sup> Politeknik Negeri Sriwijaya .....	136
Prototype Design of Landslide Early Detection System Using LoRa and IoT .....	137
ID : 2663 .....	137
Ahmad Taqwa <sup>1</sup> , Mohammad Fadhli <sup>2</sup> , Sopian Soim <sup>3</sup> , Ade Silvia <sup>4</sup> , Suroso Suroso <sup>5</sup> .....	137
<sup>1,2,3,4,5</sup> Politeknik Negeri Sriwijaya .....	137
IMPLEMENTATION OF USTADZ SEARCH SOFTWARE FOR MUBALIGH, QORI AND QORIAH CATEGORIES IN PALEMBANG USING AN ANDROID-BASED USABILITY APPROACH.....	138
ID : 2078 .....	138
M. Rudi Sanjaya <sup>1</sup> , Yadi Utama <sup>2</sup> , Dedy Kurniawan <sup>3</sup> , Ariansyah Saputra <sup>4</sup> , Novita Sari <sup>5</sup> , Rahma Destriani <sup>6</sup> , Muhammad Raihan Udda Rahmany <sup>7</sup> .....	138
<sup>1</sup> Internet Programming Laboratory Department of Computer Engineering, Faculty of Computer Science, Universitas Sriwijaya, Indonesia .....	138
<sup>2</sup> Department of Computer Engineering, Faculty of Computer Science, Universitas Sriwijaya, Indonesia.....	138
<sup>3</sup> Department of Computer Engineering, Faculty of Computer Science, Universitas Sriwijaya, Indonesia.....	138
<sup>4</sup> Department of Computer Engineering, Politeknik Negeri Sriwijaya, Indonesia .....	138
<sup>5,6,7</sup> Student Department of Computer Engineering, Faculty of Computer Science, Universitas Sriwijaya, Indonesia.....	138
APPLICATION OF CAMPUS PARKING AREA FOR STATE POLYTECHNIC OF SRIWIJAYA BASED ON SMARTPHONE .....	139
ID: 2619 .....	139
Leni Novianti <sup>1</sup> , Devi Sartika <sup>2</sup> , Dewi Irmawati <sup>3</sup> , Ienda Meiriska <sup>4</sup> .....	139
<sup>1,2,3,4</sup> Study Program of Informatics Management, State Polytechnic of Sriwijaya .....	139
ANDROID-BASE m-VOTING APPLICATION DEVELOPMENT WITH SIMPLE ADDITIVE WEIGHTING METHOD .....	140
ID : 2669.....	140
Devi Sartika <sup>1</sup> , Leni Novianti <sup>2</sup> , Dewi Irmawati <sup>3</sup> , Ienda Meiriska <sup>4</sup> .....	140
<sup>1,2,3,4</sup> Study Program of Informatics Management,State Polytechnic of Sriwijaya.....	140
DESIGN WEB BASED ONLINE TUTORING APPLICATION IN PALEMBANG CITY USING THE SUS (SYSTEM USABILITY SCALE) METHOD.....	141
ID : 2098 .....	141

M. Rudi Sanjaya <sup>1</sup> , Ariansyah Saputra <sup>2</sup> , 3Bayu Wijaya Putra, Novita Sari <sup>4</sup> , Rahma Destriani <sup>5</sup> , Muhammad Raihan Udda Rahmany <sup>6</sup> .....	141
1,3 Program in Informatics Management of Computer Engineering, Faculty of Computer Science, Universitas Sriwijaya, Indonesia .....	141
2 Department of Computer Engineering, Politeknik Negeri Sriwijaya, Indonesia .....	141
3,4,5 Student Department of Computer Engineering, Faculty of Computer Science, Universitas Sriwijaya, Indonesia.....	141
BLACK BOX TESTING USING EQUIVALENCE PARTITION METHOD IN SINTANA APPLICATION .....	142
ID : 2225 .....	142
Yayuk Ike Melani <sup>1</sup> and Mahmud <sup>2</sup> .....	142
<sup>1</sup> S1 Information System, STMIK PalComTech, Palembang .....	142
<sup>2</sup> S1 Informatic, STMIK PalComTech, Palembang.....	142
THE DESIGN OF A TOOL TO MEASURE THE EFFECTIVENESS AND EFFICIENCY OF USERS TOWARDS THE APPLICATION OF POLISIKU APPLICATION.....	143
ID : 2366 .....	143
<sup>1</sup> Eko Setiawan and <sup>2</sup> Wiza Yunifa.....	143
<sup>1,2</sup> Information Systems Study Program, Politeknik PalComTech Palembang.....	143
DATABASE DESIGN FOR CHILD SPECIAL DEVELOPMENT INSTITUTION'S SERVICE PERFORMANCE E-DASHBOARD (CASE STUDY: PALEMBANG CHILD SPECIAL DEVELOPMENT INSTITUTION).....	144
ID : 2432 .....	144
Hendra Hadiwijaya <sup>1</sup> , Febrianty <sup>2</sup> , Rezanía Agramanisti Azdy <sup>3*</sup> .....	144
<sup>1, 2</sup> Accounting Study Program, Palembang Palcomtech Polytechnic, Indonesia .....	144
<sup>3*</sup> Informatics Study Program, STMIK PalComTech, Indonesia .....	144
EXTENDING THE UNDERSTANDING OF BUSINESS INTELLIGENCE AND ITS APPLICATION IN STARTUPS.....	145
ID : 2440 .....	145
Dedy Kurniawan <sup>1</sup> , Ariansyah Saputra <sup>2</sup> , M. Rudi Sanjaya <sup>3</sup> , Zaqqi Yamani <sup>4</sup> .....	145
<sup>1</sup> Advanced Programming Laboratory, Faculty of Computer Science, Universitas Sriwijaya, Indonesia.....	145
<sup>2</sup> Department of Computer Engineering, Politeknik Negeri Sriwijaya, Indonesia .....	145
<sup>3</sup> Internet Programming Laboratory, Faculty of Computer Science, Universitas Sriwijaya, Indonesia.....	145
<sup>4-5</sup> Faculty of Computer Science, Universitas Sriwijaya, Indonesia.....	145
THE APPLICATION OF DIGITAL MARKETING FOR UKM IN FACING THE COVID-19 PANDEMIC .....	146
ID : 2472 .....	146
Hetty Meileni <sup>1</sup> , Sony Oktapriandi <sup>2</sup> , Desi Apriyanti <sup>3</sup> .....	146
<sup>1-3</sup> Informatic Management Department, Politeknik Negeri Sriwijaya .....	146

DESIGNING STUDENT AND LECTURER ATTENDANCE SYSTEM APPLICATION USING PROGRESSIVE WEB APPS (PWA) .....	147
ID : 2586 .....	147
Hartati Deviana <sup>1</sup> .....	147
<sup>1</sup> Department of Computer Engineering, Politeknik Sriwijaya,Jl. Srijaya Negara Bukit Besar,Palembang,30139, Indonesia.....	147
DESIGNING AUGMENTED REALITY-BASED COMPUTER DEVICES LEARNING MEDIA ON ANDROID PLATFORM .....	148
ID : 2760 .....	148
Dony Novaliendry <sup>1,2</sup> , Arif Subagia <sup>1</sup> , Titi Sriwahyuni <sup>1</sup> , Fegie Y Wattimena <sup>3</sup> , Axelon S Renyaan <sup>3</sup> , Ceng-Hong Yang <sup>2</sup> , Muhammad Ariyon <sup>4</sup> .....	148
<sup>1</sup> Departement of Electronics Engineering, Faculty of Engineering, Universitas Negeri Padang, Padang, Indonesia .....	148
<sup>2</sup> Departement of Electronics Engineering, National Kaohsiung University of Science and Technology, Kaohsiung, Taiwan.....	148
<sup>3</sup> Fakultas Sains & Teknologi, Universitas Ottow Geissler Papua, Indonesia .....	148
<sup>4</sup> Teknik Perminyakan, Universitas Islam Riau, Pekanbaru, Indonesia .....	148
PUBLIC SERVICE ANNOUNCEMENT IMPLEMENTATION OF LEARNING AT THE SRIWIJAYA STATE POLYTECHNIC IN MINIMIZING THE RISKS AND IMPACTS CAUSED BY THE COVID-19 PANDEMIC.....	149
ID : 2706 .....	149
Alan Novi Tompunu <sup>1</sup> , Nelly Masnila <sup>2</sup> , Zakaria <sup>3</sup> , Azwardi <sup>1</sup> and Ainun Nabila <sup>1</sup> .....	149
<sup>1</sup> Computer Engineering Department, State Polytechnic of Sriwijaya, Indonesia.....	149
<sup>2</sup> Accounting <i>Department</i> , State Polytechnic of Sriwijaya, Indonesia.....	149
<sup>3</sup> <i>English Department</i> , State Polytechnic of Sriwijaya, Indonesia .....	149
PRINCIPAL COMPONENT ANALYSIS METHOD FOR IMAGE SEGMENTATION OF SMART METER DIGITAL.....	150
ID : 2087 .....	150
Husnawati <sup>1</sup> , Shinta Puspasari <sup>2</sup> , Rian Rahmanda Putra <sup>3</sup> .....	150
<sup>1,2</sup> Department of computer science, Indo Global Mandiri University, Palembang, .....	150
Indonesia.....	150
<sup>3</sup> Department of computer science, Politeknik Negeri Sriwijaya, Palembang, .....	150
Indonesia.....	150
DESIGN OF SOLAR POWERED VACCINE BACKPACK .....	151
ID : 2838 .....	151
Muhammad Haikal Satria <sup>1,*</sup> Arie Jaenul <sup>1</sup> Adhes Gamayel <sup>1</sup> .....	151
<sup>1</sup> Dept. of Electrical Engineering, Faculty of Engineering and Computer Science, Jakarta Global University .....	151
TRAINER MODULE DESIGN OF ITEM SORTING EQUIPMENT BASED ON HEIGHT AND PLC-BASED TRAFFIC LIGHT PROTOTYPE IN THE SYSTEM LABORATORY.....	152

ID : 2798 .....	152
Evelina <sup>1</sup> , Amperawan <sup>2</sup> , Dewi Permata Sari <sup>3</sup> , Sabilal Rasyad <sup>4</sup> .....	152
<sup>1</sup> Electrical Engineering, Department of Electrical Engineering .....	152
<sup>2</sup> Electrical Engineering, Politeknik Negeri Sriwijaya .....	152
PROTOTYPE DEVELOPMENT OF HEARTBEAT AND BODY TEMPERATURE MONITORING SYSTEM BASED ON INTERNET OF THINGS .....	153
ID : 2599 .....	153
Ade Silvia Handayani <sup>1</sup> , Ahmad Taqwa <sup>2</sup> , Arsyil Shiddik <sup>3</sup> Nyayu Latifah Husni <sup>4</sup> ) .....	153
<sup>1)-3)</sup> Telecommunication Engineering, Politeknik Negeri Sriwijaya .....	153
<sup>4)</sup> Elektronics Engineering, Politeknik Negeri Sriwijaya .....	153
IMPLEMENTATION OF FUZZY LOGIC TYPE-2 ON MOBILE ROBOT NAVIGATION SYSTEM .	154
ID : 2661 .....	154
Ade Silvia Handayani <sup>1</sup> , Jefri Alkausar <sup>1</sup> , Sarjana <sup>1</sup> , Nyayu Latifah Husni <sup>1</sup> , Siti Nurmaini <sup>2</sup> , Irsyadi Yani <sup>3</sup> .....	154
<sup>1</sup> Electrical Department, Politeknik Sriwijaya, <sup>2</sup> Intelligent System Research Group, Faculty of Computer Science, Universitas Sriwijaya, <sup>3</sup> Mechanical Engineering Department, Faculty of Engineering, Universitas Sriwijaya .....	154
WIRELESS DETECTOR FOR LUNG SOUND DISORDER BASED ON DSP TMS320C6416 MODULE .....	155
ID : 2805 .....	155
Nyayu Latifah Husni <sup>1</sup> , Arganda Meranda <sup>2</sup> , Destra Andika Pratama <sup>3</sup> , Ekawati Prihatini <sup>4</sup> , Selamat Muslimin <sup>5</sup> , Ade Silvia Handayani <sup>6</sup> .....	155
<sup>1-6</sup> Electrical Engineering, State Polytechnic of Sriwijaya .....	155
NEW NAVIGATION STRATEGY FOR G-BOT .....	156
ID : 2806 .....	156
Nyayu Latifah Husni <sup>1</sup> , Qodry Maulana <sup>2</sup> , Ekawati Prihatini <sup>3</sup> , Ade Silvia Handayani <sup>4</sup> , Firdaus <sup>5</sup> .....	156
<sup>1-4</sup> Electrical Engineering, State Polytechnic of Sriwijaya <sup>5</sup> Computer Engineering, Sriwijaya University .....	156
AIR DETECTION ENVIRONMENT SYSTEM (ADEV) USING ANDROID APPLICATION FOR AIR QUALITY IN PARK AREA .....	157
ID : 2824 .....	157
Ade Silvia Handayani <sup>1</sup> , Nyayu Latifah Husni <sup>2</sup> , Al Fatur Sayid <sup>3</sup> , Rosmalinda Permatasari <sup>4</sup> , Carlos R Sitompul <sup>5</sup> , Sopian Soim <sup>6</sup> .....	157
<sup>1,2,3,5,6</sup> Department of Polytechnic Sriwijaya, Jalan Srijaya Negera, Bukit Besar, Palembang - Indonesia .....	157
<sup>4</sup> Universitas Tridnanti Palembang-indonesia .....	157
THE CONDITION OF THE SURFACE SEVERITY OF THE POLLUTED INSULATOR BASED ON HARMONIC MEASUREMENTS OF LEAKAGE CURRENTS .....	158
ID : 2775 .....	158

Carlos R Sitompul, Zainuddin Nawawi, Irfan Jambak, Rumiasih Rumiasih, Anton Firmansyah, Indah Susanti .....	158
THE INFLUENCE OF TRAVEL EXPERIENCE AND DESTINATION QUALITY ON TOURIST SATISFACTION VISITING CULINARY TOURISM DESTINATIONS.....	159
ID : 2575 .....	159
Abd. Hamid* <sup>1</sup> , Ummasyroh* <sup>2</sup> , Jusmawi Bustan * <sup>3</sup> , Heri Setiawan* <sup>4</sup> .....	159
<sup>1,2,3,4</sup> Business Administration Department, State Polytechnic of Sriwijaya, Palembang, Indonesia.....	159
THE EFFECT OF ORGANIZATIONAL SUPPORT AND JOB CHARACTERISTICS ON EMPLOYEE ENGAGEMENT.....	160
ID : 2576 .....	160
A.Jalaludin Sayuti <sup>1</sup> , Munparidi <sup>2</sup> , L.Suhairi Hazizma <sup>3</sup> , Alditia Detmuliati <sup>4</sup> .....	160
<sup>1,2,3,4</sup> Business Administration Department, State Polytechnic of Sriwijaya, Palembang, Indonesia.....	160
THE LINKAGE BETWEEN MARKET ORIENTATION, LEARNING ORIENTATION, AND INNOVATION CAPABILITIES OF SMALL SCALE RESTAURANT.....	162
ID : 2581 .....	162
Purwati <sup>1</sup> , Yusleli Herawati <sup>2</sup> , Elisa <sup>3</sup> , Marieska Lupikawati <sup>4</sup> .....	162
Business Administration Department, State Polytechnic of Sriwijaya, Palembang, Indonesia.....	162
STRENGTHENING STUDENTS' WRITING ON PROJECT REPORT VIA PROJECT BASED LEARNING TO THE ENGLISH DEPARTMENT STUDENTS OF SRIWIJAYA STATE POLYTECHNICS .....	163
ID : 2589 .....	163
Yusri, Sri Gustiani,Tiur Simanjuntak, Evi Agustinasari.....	163
(Lecturers of English Department, Sriwijaya Polytechnics) .....	163
ANALYSIS OF DAILY CONVERSATION FOR ONLINE DRIVERS .....	164
ID: 2596 .....	164
Desloehal Djumrianti <sup>1</sup> , Pridson Mandiangan <sup>2</sup> , Hanifati <sup>3</sup> , Alfitriani <sup>4</sup> .....	164
<sup>1,2,3,4</sup> Business Administration Department, Politeknik Negeri Sriwijaya, Palembang, Indonesia.....	164
THE STUDENTS` PERCEPTIONS OF RELIGIOUS RADICALISM AT STATE POLYTECTNIC OF SRIWIJAYA.....	165
ID : 2711 .....	165
Farida Husin* <sup>1</sup> , Ibnu Maja* <sup>2</sup> , Yulianto Wairan* <sup>3</sup> , Lindawati* <sup>4</sup> .....	165
Lecturer of State Polytechnic of Sriwijaya Palembang.....	165
The Correlation between Students' Listening Comprehension Strategy and Their TOEIC Score at State Polytechnic of Sriwijaya .....	166
ID: 2733 .....	166
Koryati <sup>1,*</sup> , Aisyah Shahab <sup>2,*</sup> , Zulkifli <sup>3,*</sup> , Nian Masna Evawati <sup>4,*</sup> .....	166



<i>1,2,3,4 English Department of Sriwijaya State Polytechnic</i> .....	166
DESCRIPTION OF ANXIETY LEVELS OF PRE SCHOOL CHILDREN WITH THALASEMIA WHO WILL GET BLOOD TRANSFUSE IN THE THALASEMIA POLY AT AL-IHSAN BALEENDAH HOSPITAL, BANDUNG.....	167
ID : 2734 .....	167
Lisbet Octovia Manalu <sup>1</sup> , * Budi Rustandi <sup>2</sup> , Budi Somantri <sup>3</sup> .....	167
<sup>1</sup> Rajawali Health Institute Bandung.....	167
<sup>2</sup> Rajawali Health Institute Bandung .....	167
<sup>3</sup> Rajawali Health Institute Bandung .....	167
A STORY OF A CUP OF COFFEE REVIEW OF GOOGLE LOCAL GUIDE REVIEW.....	168
ID : 2759 .....	168
Setiawan Priatmoko <sup>1, 2*</sup> , Dávid Lóránt <sup>1</sup> .....	168
Szent Istvan University School of Economics and Regional Science Gödöllő, Hungary <sup>1</sup>	168
STIE Pariwisata API Yogyakarta, Indonesia <sup>2</sup> .....	168
ASIAN WOMEN'S ROLES IN FAMILY HOLIDAY: A CASE STUDY OF INDONESIAN FEMALES .....	169
Paper ID 2788 .....	169
Desloehal Djumrianti <sup>1</sup> , Augustus E. Oseso-Asare <sup>2</sup> .....	169
<sup>1</sup> <i>Business Administration Department, Politeknik Negeri Sriwijaya, Palembang, Indonesia</i> .....	169
<sup>2</sup> <i>Faculty Business and Law, University of Sunderland, United Kingdom</i> .....	169
Analysis of Daily Conversation for Online Drivers.....	170
ID 2789 .....	170
Desloehal Djumrianti <sup>1</sup> , Augustus E. Oseso-Asare <sup>2</sup> .....	170
<sup>1</sup> <i>Business Administration Department, Politeknik Negeri Sriwijaya, Palembang, Indonesia</i> .....	170
<sup>2</sup> <i>Faculty Business and Law, University of Sunderland, United Kingdom</i> .....	170
The Customary Philosophy of the Anak Dalam Tribe as part of the soul of the nation's law	171
ID 2791 .....	171
Muhamad Erwin <sup>1</sup> , Ahmad Taqwa <sup>2</sup> , Dicky Seprianto <sup>3</sup> , Ahmad Zamheri <sup>4</sup> .....	171
<sup>1</sup> State Polytechnic of Sriwijaya, Palembang, Indonesia, .....	171
<sup>2</sup> Electrical Engineering Departemet State Polytechnic of Sriwijaya, Palembang, Indonesia, .....	171
<sup>3</sup> Mechanical Engineering Departement State Polytechnic of Sriwijaya Palembang, Indonesia,.....	171
<sup>4</sup> Mechanical Engineering Departement State Polytechnic of Sriwijaya Palembang, Indonesia .....	171
THE INFLUENCE OF LEADERSHIP STYLE, AND MOTIVATION WORK STRUCTURE TO MUARA ENIM COMMUNITY HEALTH CENTER (EQUATION STRUCTURAL METHOD APPROACH) ...	172

Paper ID 2612 .....	172
AlHushori <sup>1</sup> , Yusnizal Firdaus <sup>1</sup> , Markoni Badri <sup>1</sup> , Muhammad Yusuf <sup>1*</sup> .....	172
<sup>1</sup> Department of Business Administration, State Polytechnic of Sriwijaya, Palembang, Indonesia.....	172
alhushori@gmail.com,yusnizalfirdaus@yahoo.co.id,markonibadri@yahoo.com,m.yusuf@polsri.ac.id* .....	172
SETTLEMENT OF CASES OF TERMINATION OF EMPLOYMENT AT THE INDUSTRIAL RELATION COURT IN PALEMBANG CITY .....	173
Paper ID 2713 .....	173
Ayu Puspasari, WasitohMeirani, Muhammad Erwin, Suroso.....	173
Politeknik Negeri Sriwijaya.....	173
Jl. Sriwijaya Negara, Bukit Lama, Bukit Besar, Kota Palembang, Sumatera Selatan. ....	173
THE EFFECT OF FINANCIAL TECHNOLOGY ON FINANCIAL INCLUSION IN SMES IN PALEMBANG CITY .....	174
ID : 2845 .....	174
Nur Rizka Erlianta <sup>1</sup> , Marieska Lupikawaty <sup>2*</sup> , Titi Andriyani <sup>3</sup> .....	174
<sup>1</sup> Bachelor Program in Business Management.. Department of Business Administration, Sriwijaya State Polytechnic .....	174
<sup>2</sup> Bachelor Program in Business Management.. Department of Business Administration, Sriwijaya State Polytechnic .....	174
<sup>3</sup> Diploma Program in Business Administration, Department of Business Administration, Sriwijaya State Polytechnic .....	174
THE EFFECT OF PATIENT SATISFACTION LEVELS ON COMPETENCY AND FACILITIES AT SITI KHADIJAH ISLAMIC HOSPITAL, PALEMBANG CITY .....	175
ID : 2217 .....	175
Sarikadarwati <sup>1</sup> , Henny Yulsiati <sup>2</sup> , Sandrayati <sup>3</sup> , Susi Ardiani <sup>4</sup> .....	175
Department Accounting Polytechnic of Sriwijaya.....	175
THE ROLE OF SMALL AND MEDIUM ENTERPRISES (SMES) AND ECONOMIC GROWTH IN INDONESIA: THE VECM ANALYSIS .....	176
ID : 2579 .....	176
Aladin <sup>1</sup> , Evada Dewata <sup>2</sup> , Yuliana Sari <sup>3</sup> , Yuli Antina Aryani <sup>4</sup> .....	176
<sup>1,2,3,4</sup> ,Department of Accounting, Politeknik Negeri Sriwijaya, Indonesia .....	176
POVERTY IN SOUTH SUMATRA PROVINCE IS VIEWED FROM VILLAGE FUND AND VILLAGE FUND ALLOCATION.....	177
ID :2583 .....	177
Rita Martini <sup>1*</sup> , Endah Widyastuti <sup>1</sup> , Sukmini Hartati <sup>1</sup> , Zulkifli <sup>1</sup> , Riana Mayasari <sup>1</sup> .....	177
<sup>1</sup> Accounting Department, Polytechnic State of Sriwijaya, Palembang 30139, Indonesia .....	177
IMPACT OF BUMDESA MANAGEMENT ON PADESA IN PENUKAL ABAB LEMATANG ILIR REGENCY .....	178

ID : 2602 .....	178
Rosy Armaini <sup>1*</sup> , Maria Maria <sup>2</sup> , Nurhasanah Nurhasanah <sup>3</sup> , Yevi Dwitayanti <sup>4</sup> .....	178
<i>1-4 Accounting Major, State Polytechnic of Sriwijaya, Palembang, South Sumatera, Indonesia.....</i>	<i>178</i>
FACTORS AFFECTING ECONOMIC GROWTH IN REGENCIES AND CITIES IN THE PROVINCE OF SOUTH SUMATRA IN 2010 – 2018.....	179
ID : 2803 .....	179
Sri Hartaty <sup>1</sup> , Eka Jumarni F <sup>2</sup> , Anggeraini O <sup>2</sup> , L. Vera R.P. <sup>2</sup> .....	179
<b>ABSTRACT</b> .....	179
THE EFFECT OF LOCAL GOVERNMENT CHARACTERISTICS AND BPK AUDIT OPINIONS ON THE FINANCIAL PERFORMANCE OF LOCAL GOVERNMENTS (STUDY ON LOCAL GOVERNMENTS IN SOUTH SUMATRA).....	180
ID : 2621 .....	180
Indra Satriawan, Ardiyan Natoen, Periansya, Sopiyan AR .....	180
1234 Department of Accounting, Sriwijaya State Polytechnic .....	180
DIMENSIONS OF WOMEN'S EMPOWERMENT .....	181
ID :2519 .....	181
Neneng Miskiyah <sup>1*</sup> , Sari Lestari Zainal Ridho <sup>1</sup> , Hadi Jauhari <sup>1</sup> , Ketu Purnamasari <sup>1</sup> .....	181
<sup>1</sup> Department of Business Administration, Sriwijaya State Polytechnic, Palembang, Indonesia.....	181
THE EFFECT OF ENTREPRENEURIAL COMPETENCIES ON BUSINESS PERFORMANCE (EMPIRICAL STUDY ON MSMES OF PALEMBANG WOVEN FABRIC) .....	182
ID : 2658 .....	182
Edwin Frywaruwah <sup>1</sup> , Bainil Yulina <sup>2</sup> , Sulaiman <sup>3</sup> , Siska Aprianti <sup>4</sup> .....	182
<sup>1,2,3,4</sup> Politeknik Negeri Sriwijaya.....	182
Analysis Of Marketing Mix Strategy On Consumer Value In Small And Medium Enterprises In Palembang, South Sumatra (Case Study Of Palembang's Traditional Processed Food) .....	183
ID : 2756 .....	183
Riza Wahyudi, M.Thoyib, Firmansyah, Darul Amri .....	183
Accounting Department Politeknik Negeri Sriwijaya, thoyib1958@gmail.com .....	183
THE EFFECT OF PLANNING ON RISK OF LOSS.....	184
IN INVESTING IN THE CAPITAL MARKET .....	184
ID 2804 .....	184
Mariska. Z <sup>1</sup> , Hendra Sastrawinata <sup>2</sup> , Dr. Dewi Fadilah <sup>3</sup> , M. Riska Maulana <sup>4</sup> .....	184
State Polytechnic of Sriwijaya .....	184
The Effect of Bank Credibility and Service Convenience on Bank Customer Attitudes .....	185
ID 2567 .....	185
Esya Alhadi <sup>1</sup> , 2nd Gst Ayu Oka Windarti <sup>2</sup> , Elvia Zahara <sup>3</sup> , Titi Andriani <sup>4</sup> .....	185
<sup>1,2,3,4</sup> Business Administration Department, State Polytechnic of Sriwijaya, Palembang,	

Indonesia.....	185
The Influence of Information Quality and Information System Quality of Regional Assets on User Satisfaction at the Provincial Government of South Sumatera .....	186
ID 2814 .....	186
Kartika Rachma Sari <sup>1,*</sup> Zainal Arifin <sup>2</sup> , Desi Indriasari <sup>3</sup> , Choiruddin <sup>4</sup> .....	186
Politeknik Negeri Sriwijaya.....	186
Looking beyond Students' Writing: Its Relation to Their Academic Achievement .....	187
ID 2822 .....	187
Beni Wijaya, Zakaria, Munaja Rahma, Moehamad Ridhwan .....	187
Politeknik Negeri Sriwijaya.....	187
Determinants of Regional Budget Absorption in the Regional Apparatus Organization of Palembang City.....	188
ID 2830 .....	188
Vega Nabila Putri <sup>1</sup> , Kuo Keo Pisey <sup>2</sup> , Sukmini Hartati <sup>1</sup> , Rita Martini <sup>1*</sup> .....	188
<sup>1</sup> Accounting Department, Polytechnic State of Sriwijaya, Palembang 30139, Indonesia .....	188
<sup>2</sup> Entrepreneurship Development Institute, CIEDI Cambodia-India, Cambodia .....	188
*Corresponding author. Email: ritamartini@polsri.ac.id .....	188
ASPECTS AFFECTING THE ACCOUNTABILITY PERFORMANCE OF GOVERNMENT AGENCIES BANYUASIN DISTRICT.....	189
ID: 2834 .....	189
Rita Martini <sup>*1</sup> , Muhammad Aulia Ramadhan <sup>*1</sup> , Sukmini Hartati <sup>*1</sup> .....	189
<sup>1</sup> Accounting Department, Polytechnic State of Sriwijaya, Palembang 30139, Indonesia .....	189
PERCEPTION OF HUMAN RESOURCES ASPECT ON ABILITY TO MANAGE BUMDES .....	190
Paper ID 2846 .....	190
Nelly Masnila <sup>1</sup> , Faridah <sup>2</sup> , M. Husni Mubarak <sup>3</sup> , Desri Yanto <sup>4</sup> .....	190
Politeknik Negeri Sriwijaya.....	190

# Effect of Feed Composition and Product Quantity of Co-Processing Refined Bleached Deodorized Palm Oil (RBDPO)

Juarsa<sup>1,2,\*</sup> Aida Syarif<sup>3</sup> Leila Kalsum<sup>3</sup>

<sup>1</sup> Applied Master of Renewable Energy Engineering, Politeknik Negeri Sriwijaya, Jalan Srijaya Negara, Bukit Besar, Palembang, 30139, Indonesia

<sup>2</sup> Crude Distillation and Light End Production, Pertamina Ltd. (Persero) Refinery Unit III, Beringin Road, Complex of Pertamina Refinery Unit III Plaju, Palembang, 30268 Indonesia

<sup>3</sup> Renewable Energy Engineering Department, Politeknik Negeri Sriwijaya, Jalan Srijaya Negara, Bukit Besar, Palembang, 30139, Indonesia

\*Corresponding author. Email: [Juarsa.kamaluddin@pertamina.com](mailto:Juarsa.kamaluddin@pertamina.com)

## ABSTRACT

The research on Co-Processing Refined Bleached Deodorized Palm Oil (RBDPO) was conducted to examine the Effect of Feed Composition and Product Quantity. It is to provide the competitive renewable fuels in accordance with the government programs to promote Renewable Energy (RE) by utilizing the processing unit, infrastructure, transportation, and storage at existing refineries in Indonesia. The product is hydrocarbon fuel with existing specifications from previous petroleum feed. This research was carried out using a reactor temperature of 500-505 oC, feed flow rate of 2800T/D, ratio of RBDPO and VGO feed composition based on% wt, as well as RBDPO composition of 5%, 10%, 12.5%, 15% and 20%, respectively. This was followed by the addition of 15%, 20%, and 5% long residue to the feed component to determine the optimal composition of the product ratio. The result showed that the conversion ratio of valuable products between the base condition (77.7%) and the composition of RBDPO/VGO Co-processing (20/80) produced an optimum yield point for valuable products with a conversion result of 79.3%.

**Keywords:** Co-processing, Renewable Energy, FCC unit; RBDPO, VGO

## 1. INTRODUCTION

Indonesia is the largest consumer of energy in the Southeast Asia region and fifth in the Asia Pacific, after China, India, Japan, and South Korea. In 2016, the country's final energy consumption without firewood was dominated by fuel at 47%, with the largest share of 42% allocated to the transportation, and 36% to the industrial sector. Furthermore, the use of Fossil energy, such as petroleum, in fulfilling the consumption rate of energy is still relatively high at 96% with 48% petroleum, 18% gas, and 30% coal [1].

The cracking of oil from plants into fuel, such as diesel and gasoline, has become an interesting topic of discussion because it is an alternative fuel source that supports the policy [2]. It is also a renewable and environmentally friendly fuel source due to the presence of free nitrogen and sulfur [3].

Furthermore, renewable energy can also be produced by using co-processing RBDPO at the existing refinery industry. It is a combination process of biomass raw materials (RBDPO) and crude oil which consists of vacuum Gas Oil (VGO) [4] [14].

Recently, co-processing received attention for its potential ability to provide renewable fuels using the existing unit process, infrastructure, transportation, and storage units. The process produced hydrocarbon fuel from the previous petroleum feed, with existing specifications [4] [15].

The trial laboratory-scale test using the ACE (Advanced Cracking Evaluation) will confirm that the Co-Processing showed good result by producing renewable energy products. The initial data was also confirmed by the process licensor (IFP Axens, France) and the catalyst manufacturer (BASF, USA). It is also



showed that the process did not have a negative impact on the entire Unit refinery operation [5] [16] [17].

Furthermore, temperature is an important parameter used to obtain the optimal results in this trial process [6]. Therefore, comparing the quality and quantity of the products before the trial period are benchmarks used to operationally observed and determine the margin [7] [17].

In this research integrating the optimization process and the right composition increases the percentage of the research [8].

## 2. MATERIAL AND METHODS

### 2.1. Materials

Refined, Bleached, Deodorized Palm Oil (RBDPO) is a CPO's derivative product, which has been physically and chemically treated. Its main advantage is associated with the low content of impurities such as sulfur and metal. Conversely, it has organic compounds, and its impact needs to be mitigated on the operating process [20]. The RBDPO used as feed-in the co-processing process was purchased from SAP Ltd. (Wilmar) with the occurrence of all processes on a commercial scale unit, as shown in Table 1 [9]. The research was conducted at the FCC Unit of PT Pertamina Persero RU III Plaju Palembang South Sumatra, Indonesia.

In general, RBDPO acceptance activities refer to the accepted crude or intermediate oil documents required which include RBDPO COQ (Certificate of Quality), RBDPO PDS (Product Data Sheet), RBDPO MSDS (Material Safety Data Sheet), Q88, Last Vetting, Ship Particular, Pertamina Safety Approval (PSA), Ship Inspection Report (SIRE). The implementation process is described at the acceptance stage, and the parts are in accordance with the respective functions and responsibilities [10].

**Table 1.** Properties of the RBDPO

Analytical Item	Metode Analisa	CoA	Spec RKS
Free Fatty Acid, (%)	AOCS (Ca 5a-40)	0.097	0.1 max
Color	Lovibond 5 1/2"	2.9	3.0 max
Melting Point, SMP, °C	AOCS (Cc 1-25)	36.6	35-39 °C
Iodine Value, Wijjs	AOCS (Cd 1d-92)	52.18	50 – 55
Moisture & Impurities, %	AOCS (Ca 2b-38)	0.051	0.1% v max
Analisa Parameter lain		Analysis Results	
Specific Gravity at 60/60 °F	ASTM D-1298	0.9109	
API Gravity		23.84	
Distillation	ASTM D-86		
Initial Boiling Point, °C		226	
Water Content, %vol	ASTM D-6034	Traces	
Sulfur Content, %wt	ASTM D-4294	0.004	
Metal Content:	UOP -391		
V, ppm		0.08	
Ni, ppm		0.28	
Na, ppm		6.56	
Nitrogen Content, ppm	ASTM D-3238	*)	
Iodine Value,	AOCS (Cd 1d-92)	*)	
Condration Carbon Residue, % wt	ASTM D-189	1.24	
Pour Point, °C	ASTM D-97	9	

\*) There are no facilities

The existing feed or base in the form of VGO is the middle fraction of the product from the HVU II refinery of Pertamina RU III Plaju, In Indonesia. The VGO feed characteristics are shown in Table 2.

The catalyst used in the co-processing process is a product from Grace Davison company, designed for existing feeds [21]. The unit used for co-processing has a feed quality design as shown in Table 2.

**Table 2.** Reference for Feed Quality Design of

Parameter	Test Method	VGO	L. Res	Design
Specific Gravity at 60/60 °F	ASTM D-1298 or	0.878	0.931	0.888
API Gravity	D-287	29.66	20.49	27.85
Metal Content	UOP -391			
V, ppm	UOP -391	0.1	1	0.3
Ni, ppm	UOP -391	1	10	0.8
Na, ppm	UOP -391	-	-	2.0
Sulfur Content, %wt	ASTM D-4294	0.08	0.2	0.1
Nitrogen Content, %wt	ASTM D-3238	-	0.11	0.1
Hydrogen Content, %wt	Griffin		12.6	13
Carbon Cond Residue, % wt	ASTM D-189	0.05	4.92	1.05
Viskositas, Cst	ASTM D-445			
At 50 °C		-	122	-
At 60 °C		12.25	-	-
At 77 °C		8.27	-	-
Pour Point	ASTM D-97			
°C		49	-	-
°F		120	-	-
Distillation	ASTM D-1160			
IBP	°C	248	323	248
10 % vol	°C	380	368	378
30 % vol	°C	419	415	418
50 % vol	°C	440	435	440
70 % vol	°C	456	501	465
90 % vol	°C	503	-	-
FBP	°C	536	-	-
Feed Capacity Design	T/D (20500BPSD)	2300	590	80%/20%

FCC Unit properties

### 2.2. Experimental setup

A research was carried out in 2 stages. The initial stage includes observation by comparing the feedstock composition between RBDPO and VGO, starting from 5% wt and 10% wt on feed. Further stage was carried out with RBDPO feedstock composition at a ratio of 10% wt, 12.5% wt, 15% wt, and 20% wt. The next combination for a ratio of 15% wt and 20% wt was added with L. Res 5% wt to the feed at the target capacity, and with a total of 2800-2820 T/D. The feedstock composition between VGO and RBDPO is also used to maintain the heat balance of the Rg-Rx system.

The determination ratio of RBDPO and VGO is intended to mitigate the possibilities that occur in operating conditions during co-processing. The next step is used to determine the optimal composition towards the product ratio obtained [11].

Generally, RBDPO revenue activities refer to the crude oil or intermediate receipt documents applicable in RU III. The needed documents include RBDPO COQ (Certificate of Quality), RBDPO PDS (Product Data Sheet), RBDPO MSDS (Material Safety Data Sheet), Q88, Last Vetting, Ship Particular, Pertamina Safety Approval (PSA), and Ship Inspection Report (SIRE).

The implementation process is described at the acceptance stage, and the parts are in accordance with the respective functions and responsibilities [12].

The handling stage of RBDPO in the tank comprises of several parts, which includes settling the object for a minimum of 4 hours or in accordance with the target, operating the steam coil in the tank as needed, maintaining the RBDPO temperature at a target of 50 °C, ensuring tank safety equipment such as PSV, sample holes, etc. It also ensures the operation position is ready, with the tank drained to remove free water and oil/RBDPO samples for analysis. The handling stage of RBDPO in the tank comprises of several parts, which includes settling the object for a minimum of 4 hours or in accordance with the target, operating the steam coil in the tank as needed, maintaining the RBDPO temperature at a target of 50 °C, ensuring tank safety equipment such as PSV, sample holes, etc. It also ensures the operation position is ready, with the tank drained to remove free water and oil/RBDPO samples for analysis.

Alternatively, the handling process of the Co-processing RBDPO products includes allocating a dedicated product tank during the process, taking samples, analyzing the process using predetermined parameters, increasing the sampling frequency, analyzing dry gas samples, and carrying out hazard monitoring in the operational area during Co-processing.

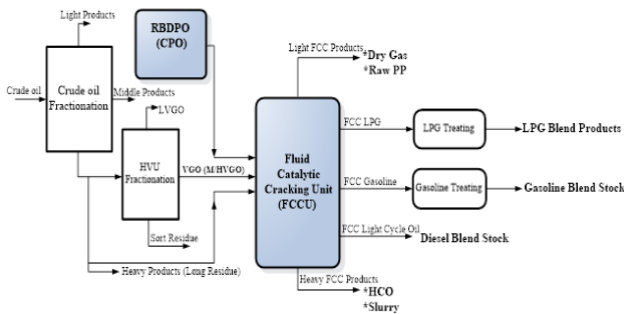


Figure 1 Refining scheme RBDPO is directly co-feed into the FCCU Unit

### 2.3. Analysis and characterization

The estimated Co-Processing composition is the ratio between RBDPO and VGO feed, which is estimated at a certain ratio, and capable of reducing the yield of the product. According to existing studies and the results of the trial, the hypothesis made on the feed composition ratio is limited to a maximum of 20% RBDPO, and this is seen or mitigated by the trial possibility with a larger scale feed ratio [22].

### 3. RESULTS AND DISCUSSION

A product data was obtained by analyzing and processing data from the DCS (Distributed Control System) with other instrumentations in the Central Control Room FCC Unit during the trial stage. **Table 3.** FCC shift in dry gas, raw propane propylene (Raw PP), LPG, Gasoline, Light cycle gasoil, HCGO/slurry oil, and coke yields when Co-processing RBDPO with vacuum gas oil (VGO).

Research group	Dry gas	Raw PP	LPG	Gasoline	LCO	HCO/Slurry	Coke
Base Feed VGO (100)	3.2	9.3	10.4	51.6	15.8	6.4	3.2
RBDPO/VGO (5/95)	+0.3	-0.6	+0.1	0	-0.7	-0.6	+0.1
RBDPO/VGO (10/90)	+0.6	-0.3	0	+0.2	-0.7	+0.2	-0.1
RBDPO/VGO (12.5/87.5)	+0.6	-0.4	0	-0.5	+0.8	-0.5	+0.2
RBDPO/VGO (15/85)	+0.5	-0.4	-0.3	-0.4	+0.4	+0.1	+0.2
RBDPO/VGO (20/80)	+0.5	-0.8	+0.1	+1.5	-1.1	-0.4	+0.3
RBDPO/VGO,LongRes(15/80/4.96)	+0.5	-0.5	-0.8	+0.2	0	+0.6	+0.2
RBDPO/VGO,LongR(20/74.9/5.31)	+0.4	-0.8	-0.2	-0.6	+0.5	+0.4	+0.3

\*) Total feed (2803-2826 T/D), Temp reactor (503-505°C), Yield product and feed composition in (%wt)

The product data in Table 3 is obtained and summarized in the form of weight percent yield, which is calculated based on the total feed percentage, with an increase or decrease in product yield, as shown in Figures 2 and 3.

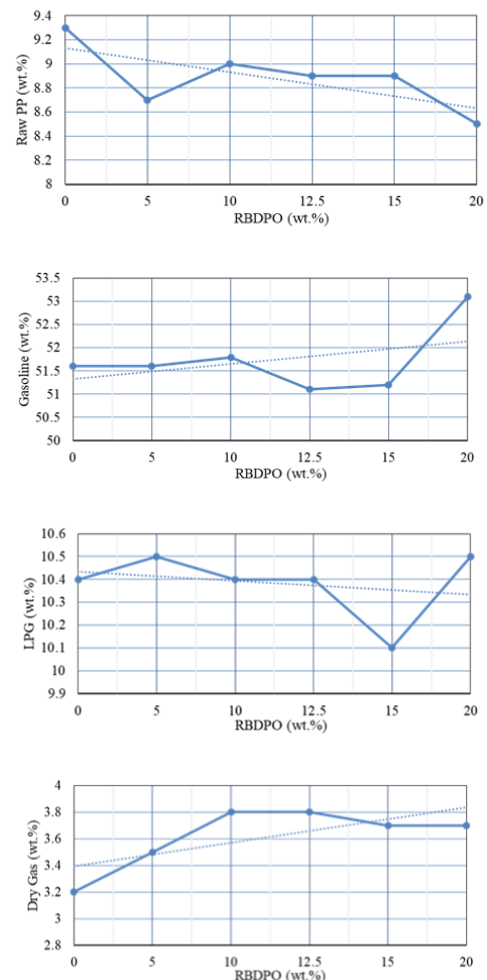


Figure 2 Effect of feed composition on the yield main product FCC unit

### 3.1. Quantity Dry Gas product

In terms of product yield quantity, there is an increase compared to the base condition before the injection of RBDPO in the trial stage, as shown in Table 3 and Figure 2. The increase in the composition of RBDPO injection leads to positive impacts on the quantity. In terms of quality, it is necessary to calculate and consider the potential increase in impurities in order to determine the RBDPO processing plan properly.

### 3.2. Quantity analysis of Raw PP product

The results of data analysis based on Table 3 and Figure 2 shows a tendency to decrease the yield of Raw PP products along with the increase in RBDPO injection as well as Purity Raw PP (propylene content). This leads to a continuous decline in line despite being above the minimum threshold needed, namely 66.12% mol in 10% wt injection RBDPO vs 64% mole of Purification Unit (Polypropylene Refinery Purification Unit spec feed) [18].

### 3.3. Quantity of LPG product

The quantity of LPG products tends to be constant and increases at 20% RBDPO, as shown in Figure 2. LPG yield and olefin compounds increase in accordance with good operating trend by changing catalysts regularly to minimize the occurrence of hydrogen transfer reactions, increase conversion, and reduce the residence/product vapour time in the reactor before entering the main column. This is achieved by adding the ZSM-5 catalyst additive [22][23].

### 3.4. Quantity Analysis of Cat Naphtha products

Cat Naphtha is the main product from the FCC Unit used as components of Premium blending (HOMC). It has an optimal quantity, with an increase in trend line by 20% RBDPO injection. The increase in Cat Naphtha quantity is due to a rise in the optimization level of operating conditions, and change in the composition due to RBDPO injection in the feedstock.

Further studies need to be carried out to verify the impact cracked by RBDPO on the quality of Cat Naphtha, which is later used as Green Gasoline. It is necessary to ensure that the impact on vehicle engine performance is anticipated early. Therefore this review or evaluation provides comprehensive results.

Cat naphtha also meets the specifications or standard quality with an increase in Yield Quantity by 20% RBDPO, thereby making it able to affect the obtained margins.

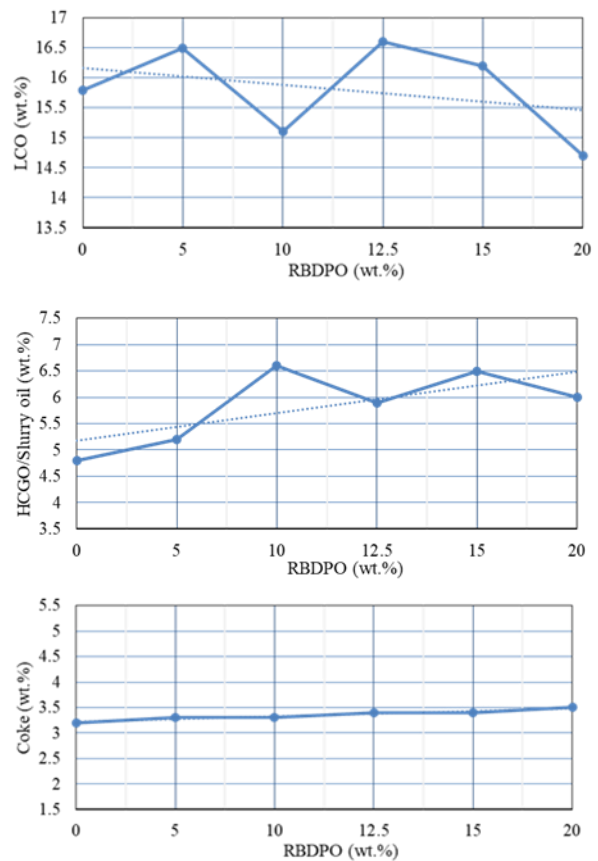


Figure 3 The influence of feed composition on side products

### 3.5. Quantity Analysis of LCO products

The FCC Unit fractionation tower uses several options to increase the LCO yield due to the need to maintain maximum cracking severity. Therefore, the easiest way to increase the LCO yield is by lowering the gasoline endpoint (cat Naphtha) by decreasing the main column's top temperature in accordance with an increase in the top pump or reflux rate. LCO products are used as a component of Industrial Fuel Oil (IFO) product blending [23]. The yield of LCO products obtained from the research shows a decrease, especially in the 20% RBDPO conditions, as shown in Table 3 and Figure 3, due to an increase in gasoline yield (cat naphtha).

### 3.6. Slurry product quantity analysis

Slurry or Decant Oil (DO) is the heaviest product from FCC Unit. It is dependent on the DO location of the refinery and availability of carbon black feedstock (CBFS), as a recycled product for the deblending base fuel oil with HCO. From the results of Slurry Oil analysis, it was found that there was a tendency to show an increase as seen in Table 3 and Figure 3.

### 3.7. Coke quantity analysis

Coke yield is relatively constant, as shown in Table 3 and Figure 3. It produces enough coke to provide heat stability. However, delta coke is the most essential, with its catalyst difference dependent on the ability to regenerate. At certain reactor temperature, the CO<sub>2</sub>/CO ratio in delta coke controls the regenerator temperature. A smaller delta coke lowers the regenerator temperature with several advantages. However, higher cat/oil ratio values improved product selectivity and provided flexibility in processing heavier feeds. Many factors influence the delta coke, including the quality of the feedstock, the feed design in the injection system, the riser design, operating conditions, and catalyst type [23].

## 4. CONCLUSION

In conclusion, the FCC Unit refinery in Pertamina in Indonesia is able to process RBDPO through the Co-processing method with 5 to 20% wt processing variation on feed (2800T/D) and minimum operational constraints. Furthermore, the main product yield has shifted along with an increase in RBDPO injection in accordance with a downward trend by raw PP yield, relatively stable Cat Naphtha, and an increase compared to the condition before injection. The optimum yield product and co-processing composition were obtained at 20% RBDPO feed composition.

## ACKNOWLEDGMENTS

We would like to thank the Pertamina RU III Plaju for facilitating the research.

## REFERENCES

- [1] A. Sugiyono, F. Anindhita, W. Abdul, I. Rahardjo, and R. E. Puspitasar, "BPPT Energi Indonesia 2018." p. 93, 2017.
- [2] RA Nurul Moulita, Rusdianasari, L Kalsum. 2019. Converting Waste Cooking Oil into Biodiesel using Microwaves and High Voltage Technology, *Journal of Physics: Conf. Series* 1167(012033).
- [3] Rusdianasari, A Syarif, M Yerizam, MS Yusi, L Kalsum, Y Bow. 2020. Effect of Catalyst on the Quality of Biodiesel from Waste Cooking oil by Induction Heating, *Journal of Physics: Conf. Series* 1500 (012052).
- [4] S Yunsari, Rusdianasari, A Husaini. 2019. CPO Based Biodiesel Production using Microwaves Assisted Method, *Journal of Physics: Conf. Series* 1167(1) 012036.
- [5] S Susumu, R Rusdianasari, S Yusi. 2018. Biodiesel Production from Waste Cooking Oil using Electrostatic Method, *Indonesia Journal of Fundamental and Applied Chemistry (IJFAC)* 3(3).
- [6] RAN Moulita, R Rusdianasari, L Kalsum 2020. Biodiesel Production from Waste Cooking Oil using Induction Heating Technology, *Indonesia Journal of Fundamental and Applied Chemistry (IJFAC)* 5(1).
- [7] Rusdianasari, Y Bow, RAN Moulita 2020. Temperature Effect on the Biodiesel Quality from Waste Cooking Oil by Induction Heating, *Journal of Physics: Conf. Series* 1450 012003.
- [8] S Yunsari, A Husaini, R Rusdianasari 2019. Effect of Variation of Catalyst Concentration in the Producing of Biodiesel from Crude Palm Oil using Induction Heater, *Asian Journal of Applied research for Community Development and Empowerment (AJARCDE)*.
- [9] R Ploetz, R Rusdianasari, and E Eviliana 2016 *Renewable Energy: Advantages and Disadvantages*, *Proceeding Forum in Research, Science, and Technology (FIRST)*
- [10] Erniati Anzar, M. Syahirman Yusi, Yohandri Bow. 2018. Purification of Glycerol from Biodiesel by-Product by Adsorption using Bentonite. *Indones. J. Fundam. Appl. Chem (IJFAC)*., vol. 3, no. 3, pp. 83–88
- [11] J. U. Putra, L. Kalsum, and Y. Bow. 2018. Effect of DC Voltage on Prototype of Biodiesel Electrostatic Separator with Glycerin from Waste Cooking Oil', *Indones. J. Fundam. Appl. Chem.*, Vol. 3(3)
- [12] Y Bow, Rusdianasari, and L. Sutini Pujiastuti, "Pyrolysis of Polypropylene Plastic Waste into Liquid Fuel," *IOP Conf. Ser. Earth Environ. Sci.*, vol. 347, no. 1, 2019.
- [13] J. C. Medeiros and J. A. R. Cabral, "Brazilian Patent PI 8304794 Filed 02 November 1983."
- [14] F. A. Twaiq, A. R. Mohamed, and S. Bhatia, "Liquid hydrocarbon fuels from palm oil by catalytic cracking over aluminosilicate mesoporous catalysts with various Si/Al ratios," *Microporous Mesoporous Mater.*, vol. 64, no. 1–3, pp. 95–107, 2003.
- [15] Air Resources Board, "Co-processing of biogenic feedstocks in petroleum refineries," *Draft Rep. Air Resour. Board. State Calif.*, 2017.
- [16] Pertamina, "Laporan Ujicoba Co-processing RBDPO (Refined Bleached Deodorized Palm Oil) di kilang RFCCU RU III," 2018.

- [17] A. de R. Pinho et al., "Fast pyrolysis oil from pinewood chips co-processing with vacuum gas oil in an FCC unit for second generation fuel production," *Fuel*, vol. 188, pp. 462–473, 2017.
- [18] J, "Co-Processing RBDPO (Refined Bleached Deodorized Palm Oil) Di Kilang FCCU," 2019.
- [19] A. D. R. Pinho, M. B. B. De Almeida, F. L. Mendes, V. L. Ximenes, and L. C. Casavechia, "Co-processing raw bio-oil and gasoil in an FCC Unit," *Fuel Process. Technol.*, vol. 131, pp. 159–166, 2015.
- [20] N. Atikah et al., "Quality Prediction of Refined Bleached Deodorized Palm Oil (RBDPO) Using ScienceDirect ScienceDirect ScienceDirect Quality Prediction of Refined Bleached Deodorized Palm Oil The 15th International Symposium on District Heating and Cooling ( RBDPO ) Usin," *Energy Procedia*, vol. 142, no. January 2018, pp. 3002–3007, 2017.
- [21] E. Environ, G. Fogassy, N. Thegarid, Y. Schuurman, and C. Mirodatos, "Environmental Science composition and catalyst structure on product quality," pp. 5068–5076, 2011.
- [22] S. D. Stefanidis, K. G. Kalogiannis, and A. A. Lappas, "Co-processing bio-oil in the refinery for drop-in biofuels via fluid catalytic cracking," no. August, pp. 1–18, 2017.
- [23] R. Sadeghbeigi, *Catalytic Cracking Fluid Handbook* . .





**The 4<sup>th</sup> FIRST 2020**  
**(FORUM IN RESEARCH, SCIENCE, AND TECHNOLOGY)**

CERTIFICATE OF APPRECIATION

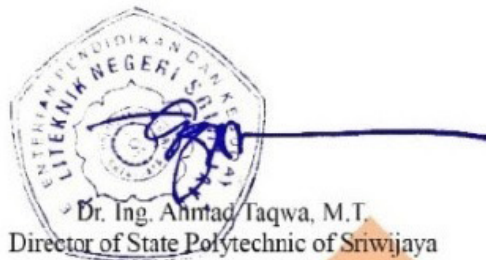
Present to

**Leila Kalsum**

in recognition & appreciation of contribution as

**Co Author**

FIRST International Conference  
"SYNERGY OF APPLIED TECHNOLOGY FOR SOCIAL-TECHNOPRENEUR BASED ON LOCAL  
RESOURCE TO GENERATE SUSTAINABILITY DEVELOPMENT"  
Held on November, 10-11, 2020



Dr. Ing. Ahmad Taqwa, M.T.  
Director of State Polytechnic of Sriwijaya



Dr. Lita Martin, M.Si., Ak., CA.  
Director of FIRST 2020

Organized By :



Collaborate With :

