

ISBN :



# CONFERENCE PROGRAMS AND ABSTRACT

**INTERNATIONAL CONFERENCE  
FORUM IN RESEARCH, SCIENCE, AND TECHNOLOGY 2020**

**NOVEMBER 10-11, 2020**

**Palembang, Province of South Sumatera  
Indonesia**

Organized By :

Collaborate With :



## FOREWORD FROM GENERAL CHAIR 4<sup>th</sup> FIRST 2020 INTERNATIONAL CONFERENCE



Assalamu'alaikum wr wb,

Thank to Allah SWT, the most gracious, the most merciful, and may prayers and peace be upon our prophet, Muhammad SAW and upon his companions

First of all, I also would like to say thank you very much for choosing FIRST 2020 and SNAPTEKMAS 2020. I also would like to convey my warm welcome to all FIRST 2020 and SNAPTEKMAS 2020 keynote speakers and all participant.

Thank to the God, although we are facing the corona pandemic, the researchers are still be able to produce good research and still have great spirit in finding new technique or methods in many areas. The purpose of the FIRST is basically to provide the researchers and academia to exchange, to discuss the results of their study so that it can meet the industrial needs and government regulations, and also to publish the research. Although, this year conference should be held virtually, however, it is hoped that the FIRST 2020 and SNAPTEKMAS 2020 are still able to facilitate researchers from all over the world to meet and to make opportunities to collaborate.

FIRST has been held for four times and organized by State Polytechnic of Sriwijaya. The previous beginning FIRST conference was a National Conference and it was held on October 27, 2015, with the theme: Peningkatan Kualitas SDM melalui Penelitian Teknologi Tepat Guna dalam Menghadapi Ekonomi Asean. On 2016, the FIRST was upgraded in order to enhance the quality of the conference. The first FIRST international conference was held in State Polytechnic of Sriwijaya, on October 18-19, 2016, while the second FIRST international conference was held on October 30-31, 2019 at Horison Ultima Hotel Palembang, and the 3<sup>rd</sup> FIRST was held on October 9-10, 2019, at Excelton Hotel Palembang, Indonesia.

This 4<sup>th</sup> FIRST 2020 International Conference has attracted 8 participants, i.e., from Malaysia, Brunei Darussalam, Japan, Taiwan, Thailand, United Kingdom, Hungary, and Cambodia. While SNAPTEKMAS has become the destination of 6 biggest university in Indonesia.

This year FIRST 2020 and SNAPTEKMAS 2020 conference is held on November 11, 2020, at Beston Hotel. This conference will present:

1. Prof. Chiaki Ogino, from Kobe University, an expert in biodiesel field
2. Dr. Wahyu Caesarendra, S.T., M. Eng., from Universiti Brunei Darussalam, an expert in mechanical engineering
3. Prof. Yuliansyah, M.S.A., Ph.D, Akt, CA, from Lampung University, an expert in Accounting
4. Dr. Dodi Reza Alex Noerdin, as Bupati Musi Banyuasin, expert in government policy for technology implementation
5. Assoc. Prof. Dr. Mohammed N Adurazq, from Management and Science University (MSU), an expert in health technology, and
6. Dr. Muhammad Haikal Satria, IPM, from Jakarta Global University, an expert in health



Finally, I also want to say thank you very much for your participation, I hope that you can enjoy this FIRST 2020 and SNAPTEKMAS 2020.

Wassalamu'alaikum wr wb

## FOREWORD FROM DIRECTOR OF STATE POLYTECHNIC OF SRIWIJAYA



Assalamu'alaikum wr wb,

In the name of Allah, the most gracious, the most merciful. First of all, I would like to convey my warm welcome to all of FIRST 2020 and SNAPTEKMAS 2020 keynote speakers and all participant of FIRST 2020 and SNAPTEKMAS 2020. It is my great pleasure to meet and see you in this event.

As we know, the corona pandemic has hit many sectors in the world. Not only the economic one but also the social, and education. As incredibly crucial to the growth and sustainability of innovation and learning within the academic community, some events, such as: academic conferences, seminars, and even lectures themselves, have also been the worst hit by this corona pandemic. A lot of important events has been adversely affected due to region-wide lockdowns.

Therefore, to accommodate the researchers from all over the world and to be consistent in maintaining the continuity and the development of science and technology, the FIRST 2020 and SNAPTEKMAS 2020 are still held in this year although in virtual way. The FIRST 2020 and SNAPTEKMAS 2020 become one of State Polytechnic of Sriwijaya annual event. It is hope that FIRST 2020 and SNAPTEKMAS 2020 become one of the conferences that support the advance of the science and technology.

As our attention on COVID-19 tragedy, in this year, we also make a cooperation with the ITKJ (institut Teknologi Kesehatan Jakarta) or now JGU (Jakarta Global University) that focuses on the health and health technology. Therefore, in this occasion, We also invite special issues research about COVID-19 to participate in FIRST 2020 and SNAPTEKMAS 2020 conferences.

Finally, I also want to say thank you very much for your participation, I hope that you can enjoy this conference and can follow all of the agenda until the closing of this conference.

Wassalamu'alaikum wr wb

## ORGANIZING COMMITTEE

### International Advisory Committee

Prof. Erry Yulian Triblas Adesta, International Islamic University, Malaysia  
Prof. Yasushi Kiyoki, Keio University, Japan  
Assoc. Prof. Dr. Augustus E. Osseo-Asare University of Sunderland, United Kingdom  
Prof. Eddy Yusuf, Ph.D., Management Science University, Malaysia  
Prof. Win-jet Luo, Ph.D., National Chin-Yi University of Technology, Taiwan  
Yu-Lieh Wu, Ph.D., National Chin-Yi University of Technology, Taiwan  
Prof. Chiaki Ogino, Kobe University, Japan  
Wahyu Caesarendra, S.T., M.Eng., Ph.D., University of Brunei Darussalam, Brunei  
Prof. Yuliansyah, M.S.A., Ph.D., Ak., CA., University of Lampung, Indonesia  
Dr. Muhammad Haikal Satria, IPM, Jakarta Global University, Indonesia  
Assoc. Prof. Dr. Mohammed N Adurazaq, Management and Science University (MSU), Malaysia

### Steering Committee

Dr. Ing. Ahmad Taqwa, M.T, Politeknik Negeri Sriwijaya, Indonesia  
Dr. RD. Kusumanto, MM, Politeknik Negeri Sriwijaya, Indonesia  
Prof. Dr. Ir. Siti Nurmaini, Universitas Sriwijaya, Indonesia  
Prof Aldes Lesbani S.Si,M.Si,Ph.D, Universitas Sriwijaya, Indonesia  
Yu-Lieh Wu, Ph.D., National Chin-Yi University of Technology, Taiwan  
Dr. Zuhadi Zakaria, Politeknik Seberang Perai, Malaysia  
Dr.Ir.Rusdianasari, M.Si, Politeknik Negeri Sriwijaya, Indonesia  
Asst. Prof. Dr. Dodik Siswanto, S.E., M.Sc. Acc., Universitas Indonesia  
Irsyadi Yani, ST., M.Eng. PhD, Universitas Sriwijaya, Indonesia  
Dr. Gancar Candra Premananto SE., M.Si., Universitas Airlangga  
Dr. Yohandri Bow, M.Si, Politeknik Negeri Sriwijaya, Indonesia  
Dr. Yuli Yetri, M.Si, Politeknik Negeri Padang  
Dr. Marieska Verawaty, M.Si., Universitas Sriwijaya, Indonesia  
Dr. Eng. Tresna Dewi, M.Eng., Politeknik Negeri Sriwijaya, Indonesia  
Dr. Maya Fitri Oktarini S.T., M.T., Universitas Sriwijaya, Indonesia  
Ir. Indra Chandra Setiawan, M.T., PT. Toyota Motor Manufacturing, Indonesia

### General Chair

Dr.Rita Martini, SE.,M.Si.,Ak.,CA, Politeknik Negeri Sriwijaya, Indonesia

### General co-Chairs

Dr. Ade Silvia Handayani, S.T, M.T., Politeknik Negeri Sriwijaya, Indonesia  
Carlos R. Sitompul, S.T.,M.T., Politeknik Negeri Sriwijaya, Indonesia  
Ir. Jaksen M. Amin, M.Si, Politeknik Negeri Sriwijaya, Indonesia

### Publication Chairs

Dr. Nyayu Latifah Husni, S.T., M.T, Politeknik Negeri Sriwijaya, Indonesia  
Deris Stiawan, M,Kom, PhD., Universitas Sriwijaya, Indonesia  
Dr. Martha Aznury, M.Si., Politeknik Negeri Sriwijaya, Indonesia

### **Technical Program Chairs**

Fatahul Arifin, ST., Dipl Eng. EPD., M.EngSc, PhD, Politeknik Negeri Sriwijaya, Indonesia

Dr. Herlambang Saputra, S.Pd., M.Kom., Politeknik Negeri Sriwijaya, Indonesia

### **Finance Chairs & Treasurer**

Dr. Marieska Lupikawati, S.E., M.M, Politeknik Negeri Sriwijaya, Indonesia

### **Public Relation Chairs**

Nelly Masnila, S.E, M.Si, Ak, Politeknik Negeri Sriwijaya, Indonesia

Ahmad Zamheri, S.T, M.T, Politeknik Negeri Sriwijaya, Indonesia

Drs Zakaria MPd., Politeknik Negeri Sriwijaya, Indonesia

Desloehal Djumrianti, S.E., MIS., PhD, Politeknik Negeri Sriwijaya, Indonesia

Leni Novianti, M.Kom., Politeknik Negeri Sriwijaya, Indonesia

M. Miftahul Amin, S.Kom., M.Eng., Politeknik Negeri Sriwijaya, Indonesia

Dr. Ir. Abu Hasan, M.Si., Politeknik Negeri Sriwijaya, Indonesia

Ir. Irawan Rusnadi, M.T. , Politeknik Negeri Sriwijaya, Indonesia

Dr. Indrayani, ST., M.T. , Politeknik Negeri Sriwijaya, Indonesia

Dra. Tiur Simanjuntak, M.Ed.M, Politeknik Negeri Sriwijaya, Indonesia

Sukandar S.Si.,M.T,Ph.D., Institut Teknologi Bandung, Indonesia

Dr. GK Marriappen, Politeknik Seberang Perai, Malaysia

Ir. Irwin Bizzy, M.T., Universitas Sriwijaya, Indonesia

Dr. Sari Lestari Zainal Ridho, SE., M.Ec, Politeknik Negeri Sriwijaya, Indonesia

Dr. Ir.Leila Kalsum, M.T, Politeknik Negeri Sriwijaya, Indonesia

Dr. Leily Nurul Komariah, S.T., M.T., Universitas Sriwijaya, Indonesia

Dr, Rosmalinda Permatasari ST MT, Universitas Tridinanti Palembang, Indonesia

Erliza Yuniarti, S.T., M.Eng, Universitas Muhammadiyah Palembang, Indonesia

Firdaus, S.T., M.Kom., Universitas Sriwijaya, Indonesia

Ervi Cofriyanti, S.Si, M.T.I, Politeknik Negeri Sriwijaya, Indonesia

Lindawati, ST., M.Ti., Politeknik Negeri Sriwijaya, Indonesia

Yogi Eka Fernandes, S.Pd., M.T., Politeknik Negeri Sriwijaya, Indonesia

Ozkar Firdausi Homzah, S.T., M.T., Politeknik Negeri Sriwijaya, Indonesia

## **KEYNOTE SPEAKER**



**Prof. Dr. Chiaki Ogino**

Chiaki OGINO is the Professor of Department of Chemical Science and Engineering, Graduate School of Engineering, Kobe University, Japan. He received his B.Sc., M.Sc., and Ph.D. in Chemical Engineering at Kobe University, Japan. He has supervised more than 50 over master course students, and 10 over doctor course students in Kobe University. He is the author or co-author of over 230 peer-reviewed journal papers and 40 reviews and book chapters. His research interests are wide and concern: production of biofuels and chemicals from biomass based on synthetic biotechnology by Yeast, Fungi and Actinomycetes, and development of novel drug and gene delivery systems based on nanobiotechnology.

## KEYNOTE SPEAKER



### Wahyu Caesarendra, PhD

Assistant Professor of General Engineering Faculty of Integrated Technologies, Universiti Brunei Darussalam, Jalan Tungku Link, Gadong BE1410, Brunei Darussalam. Research Interests: Machine Learning, Product Design, Mechatronics, and Smart Manufacturing Ph.D. Mechanical Engineering, University of Wollongong, Australia (2015) M.Eng. (Hons.). Mechanical Design Engineering, Pukyong National University, South Korea (2010) B.Eng. (Hons.) Mechanical Engineering, Diponegoro University, Indonesia (2005). EMPLOYMENT HISTORY: Assistant Professor Faculty of Integrated Technologies, Universiti Brunei Darussalam (08/10/2018 - date). Assistant Professor Department of Mechanical Engineering, Diponegoro University (Jul 2017 – Des 2019). Visiting Asst. Prof. National Taiwan University of Science and Technology (August 2019). Lecturer Department of Mechanical Engineering, Diponegoro University (Dec 2010 – Jun 2017). Postdoctoral Research Fellow School of Mechanical and Aerospace Engineering, Nanyang Technological University (02/02/2017 - 19/09/2018).



## KEYNOTE SPEAKER



### **Prof. Yuliansyah, M.S.A., Ph.D, Akt, CA**

Bachelor at Jenderal Soedirman University – Indonesia 1998, Magister Program M.S.A. Meinders School of Business, Oklahoma City, University, United State of America 2006, Doctoral Program Ph.D Division of Business, University of South Australia, Australia 2012. Founder and Chairman of The Ujang Syahrir Foundation and Founder and Chairman of Goodwood Publishing ([goodwoodpub.com](http://goodwoodpub.com)). Board Committee of Asia Pacific of Management Accounting Association, International Consultant for Qualitative Study (Nvivo Program), The Quality Assurance Team for the Forensic Auditor Professional Certification Institute, Member of Asian Academy of Management, British Accounting and Finance Association Member.

## KEYNOTE SPEAKER



**Dr. H. Dodi Reza Alex Lic, Econ, MBA**

Doctor of Public Administration Program, Faculty of Social & Political Sciences, Padjadjaran University, Bandung, West Java. Fellowship on IDEAS 2.0, Massachusetts Institute of Technology (MIT) Sloan School of Management, Cambridge MA, USA. Master of Business Administration (MBA), Solvay Business School, Université Libre de Bruxelles, Brussels, Belgium. Graduated with the title of Magna Cum Laude. Licencié en Sciences Economiques (Bachelor of Economics), University of Leuven (UCL), Louvain-la-Neuve, Belgium. Graduated with the title 'Grande Distinction (High Honor). Top 2%, A thesis written in French, received the BBL Prize Award. Primary and Secondary Education in Indonesia and Canada. 2017-2022 as Regent of Musi Banyuasin Period, 2014-2016 as Deputy Chairperson of Commission VI DPR RI and Deputy Chairperson of the Golkar Party Faction DPR RI. 2013-2015 as PT. Liga Indonesia Commissioner, Jakarta, Indonesia. In 2009-2014 as Member of the DPR / MPR-RI for the period of 2009-2014.

## **KEYNOTE SPEAKER**



**Dr. Muhammad Haikal Satria, IPM**

Expertise : Software Engineering, Medical Informatics, Communication Protocol in Healthcare, Software as Medical Devices, QoS Provision in Data Communication. Universiti Teknologi Malaysia Johor, Malaysia Phd (on Electronics engineering) 2007 – 2014. Dissertation : Integration of Multimetric Path Management Into 802.11s For Telemedicine Quality Of Service Provision Universitaet Duisburg Essen Duisburg, Germany MSc (Master of Science) 2006. Thesis : Implementation of a secure RMI connection in a web service monitoring application. University of Indonesia Depok, Indonesia MT (Master of Engineering) 2006 University of Indonesia Depok, Indonesia ST (Bachelor in Engineering) 2003, Thesis : Downlink connectivity on MC-DS-CDMA in Rayleigh dan Rician fading channel.

## KEYNOTE SPEAKER



### **Assoc. Prof. Dr. Mohammed N. Abdulrazaq Alshekhly**

Field of specialisation : Semi-solid Metal Processing, Advanced Materials Joining, Internet of things (IoT), Robotics. Fields of interest : Metal Processing , Metallurgy Friction welding, Metal Matrix Composites, Materials Failure Analysis, Surface engineering/ Wear of materials, Biomedical sciences. Doctor of Philosophy (Ph.D) In Mechanical and Materials Engineering. Department of Mechanical and Materials Engineering, National University Of Malaysia (UKM) (2011–2015). Master In Mechanical Engineering, Department of Mechanical and Materials Engineering, National University Of Malaysia (UKM) (2009 – 2010). B.Sc. In Mechanical/Production Engineering. Department of production & Metallurgy Engineering, University of Technology–Baghdad (2002 – 2006).

**RUNDOWN**  
**The 4<sup>th</sup> FIRST 2020 INTERNATIONAL CONFERENCE**  
**(FORUM IN RESEARCH SCIENCE AND TECHNOLOGY)**  
**SNAPTEKMAS (Seminar Nasional Aplikasi Teknologi pada Masyarakat) 2020**

**Palembang, South Sumatera, Indonesia**

<b>Wednesday, November 11, 2020</b>					
<b>No.</b>	<b>Session</b>	<b>Person in Charge</b>	<b>Time Allotment (WIB)</b>	<b>Liaison Officer</b>	
1.	<b>Registration</b>	Event Section Committee	07.00 – 08.00	M.Miftakhul Amin, S.Kom., M.Eng	
2.	<b>The Opening Ceremony</b>	Event Section Committee	08.00 – 09.00		
3.	Do'a				
4.	Indonesian National Anthem				
5.	Chair Report Speech				
6.	Speech and Opening Remarks by Director of State Polytechnic of Sriwijaya				
7.	Souvenirs Gift, Group Photos				
<b>PLENARY SESSION</b>					
<b>No.</b>	<b>Keynote Speaker</b>	<b>Affiliation</b>	<b>Time Allotment (WIB)</b>	<b>Moderator</b>	<b>Liaison Officer</b>
1.	Prof. Chiaki Ogino	Kobe University, Japan	09.00 – 09.30	Dr. Martha Aznury, S.Pd., M.Si.	Dr. Nyayu Latifah Husni, M.T.
2.	Dr. Dody Reza Alex Noerdin	Pemkab, Sekayu, Indonesia	09.30 – 10.00		
3.	Wahyu Caesarendra, S.T., M.Eng., Ph.D.	University of Brunei Darussalam, Brunei	10.00 – 10.30	Dr. Nyayu Latifah Husni, M.T.	Doeslohal Djumrianti, S.E.MIS., Ph.D
4.	Prof. Yuliansyah, M.S.A., Ph.D., Ak., CA.	University of Lampung, Indonesia	10.30 – 11.00		
5.	Dr. Muhammad Haikal Satria, IPM.	Jakarta Global University, Indonesia	11.00 – 11.30	Dra.Tiur Simanjuntak M.Pd.	Dr. Ade Silvia Handayani, M.T.
6.	Assoc. Prof. Dr. Mohammed N Adurazaq	Management and Science University (MSU), Malaysia	11.30 – 12.00		

<b>PARALEL SESSION</b>					
<b>No.</b>	<b>Theme</b>	<b>Room</b>	<b>Time</b>	<b>Moderator</b>	<b>Articles</b>
1.	TRACK 1 (Engineering and Science)	1	13.00 – 16.30	Jaksen M. Amin, M.Si./ Indah Purnamasari, M.Eng.	22
2.	TRACK 1 (Engineering and Science)	2	13.00 – 16.30	Dr. Eng. Tresna Dewi, M.Eng/ Ozkar F.H., M.Eng	22
3.	TRACK 1 (Engineering and Science)	3	13.00 – 16.30	Dr. Martha Aznury, M.Si./ Dr. Indrayani, ST, MT/	22
5.	TRACK 2 (Computer Science, , Computer Engineering, Information System, Informatics Management)	5	13.00 – 16.30	M.Miftakhul Amin, M.Eng /Aryanti, M.Kom.	21
6.	TRACK 2 (Computer Science, , Computer Engineering, Information System, Informatics Management)	6	13.00 – 16.30	Dr. Nyayu Latifah H./ Rika Sadariawati, M.Si.	21
7.	TRACK 3 (Social Science)	7	13.00 – 16.30	Doeslohal Djumrianti, S.E.MIS., Ph.D/ Dr. Marieska Lupikawati	16
8	TRACK 3 (Social Science)	8	13.00 – 16.30	Dr. Sari Lestari ZR/ Dr. Rita Martini	16
9	SNAPTEKMAS 1	9	13.00 – 16.30	Yurni Oktarina, ST, MT/ Yogi F, MT	20
10	SNAPTEKMAS 2	10	13.00 – 16.30	Leni Novianti, M.Kom./ Maivi Kusnandar, M.Kom	20
11	SNAPTEKMAS 3	11	13.00 – 16.30	M Husni Mubarak, M.Si./ Alan Novi, Tumpunu, MT	20
12	SNAPTEKMAS 4	12	13.00 – 16.30	Dr. Ade Silvia H/ Edwin F, M.Ac.	14
<b>CLOSSING SESSION</b>					

Event	Time	Room
<ul style="list-style-type: none"> <li>- Closing Ceremony</li> <li>- Announcement of:               <ol style="list-style-type: none"> <li>1. Best Paper FIRST IC 2020</li> <li>2. Best Paper SNAPTEKMAS 2020</li> <li>3. Best Presenter FIRST IC 2020</li> <li>4. Best Presenter SNAPTEKMAS 2020</li> </ol> </li> <li>- Quiz Online</li> </ul>	16.30– 17.00	Main Room

# RUNDOWN

## TRACK 1

### (Engineering and Science)

ROOM : 1  
 TIME : Wednesday, 11 November, 2020/ 13.00 - 16.30  
 ARTICLES : 22  
 MODERATOR : Jaksen M. Amin, M.Si./ Indah Purnamasri, M.Eng

NO	Time	ID	AUTHORS	TITLE	AFFILIATION
1	13.00-13.10	2079	Yusabri, Muhammad Yerizam, Aida Syarif	Characterization Of Blending Composition Variations In Fatty Acid Methyl Ester (Fame) Biofuels With Diesel To Biodiesel	Politeknik Negeri Sriwijaya, Pt. Pertamina (Persero) Refinery Unit Iii
2	13.10-13.20	2082	Pamilia Coniwanti, Fitri Hadiah, David Bahrin, Liza Novriani, Gracia Mei Lie Justina, Robinsyah	Processing Plastic Waste Hdpe And Pp On Pyrolysis Temperature Using Cu- Al <sub>2</sub> O <sub>3</sub> Catalyst Into An Alternative Liquid Fuel	Sriwijaya of University
3	13.20-13.30	2749	Yohandri Bow , Leila Kalsum, Abu Hasan, A.husaini	The Purification of Biogas with Monoethanolamine (MEA) Solution Based on Biogas Flow Rate	Politeknik Negeri Sriwijaya
4	13.30-13.40	2758	Rusdianasari, Yohandri Bow, Adi Syakdani, Muhammad Taufik	Filtration and Electrocoagulation as a Combined Process for Electroplating Wastewater	Politeknik Negeri Sriwijaya
5	13.40-13.50	2415	Novarini, Sigit Kurniawan, Rusdianasari, Yohandri Bow	Study Of Temperature And Use Of Catalysts In The Pyrolysis Of Ldpe Plastic Waste On The Quantity Of Oil Fuel Products Produced	Politeknik Jambi, Politeknik Negeri Sriwijaya
6	13.50-14.00	2077	Rika Musiana, Abu Hasan, Rd Kusumanto	Titanium Dioxide Soaking Time Effects On Dssc Powers And Efficiency	Politeknik Negeri Sriwijaya
7	14.00-14.10	2086	Juarsa, Aida Syarif, Leila Kalsum	Effect Of Feed Composition And Product Quantity Of Co- Processing Refined	Politeknik Negeri Sriwijaya, Pertamina



				Bleached Deodorized Palm Oil (Rbdpo)	Refinery Unit Iii Plaju, Palembang
8	14.10-14.20	2748	Ibnu Hajar , Fadarina, Mustain,	Hajar Tofu Industrial Liquid Waste Treatment by Electrocoagulation Method	Politeknik Negeri Sriwijaya
9	14.20-14.30	2626	KA Ridwan, Anerasari M, Taufik Jauhari, Ida Febriana	Effect Of Temperature On Biofuels Production With Catalytic Cracking Process	State Polytechnic of Sriwijaya
10	14.30-14.40	2573	Lety Trisnaliani1a, Aida Syarif, Sahrul Effendy, Tahdid, Rima Daniar	Effect Of Bentonite On The Yield And Composition Of Products From Thermolysis Of Polystyrene Waste	Politeknik Negeri Sriwijaya
11	14.40-14.50	2665	Muhammad Yerizam, Muhammad Zaman , Taufiq Jauhari, Nur Yuli, Riwen Setiawan, Umaidella Afrilla	PRODUCTION OF BIO-PELET BRIQUETTES FROM COCONUT SHELL WASTE AS ALTERNATIVE ENERGY FOR HOUSEHOLD SCALE	Politeknik Negeri Sriwijaya
12	14.50-15.00	2707	Zurohaina1, Irawan Rusnadi, Fatria, Arizal Aswan, Rima Daniar	Catalytic Pyrolysis Of Styrofoam Waste Using Zeolite Catalyst To Produce Liquid Fuel	Polytechnic Of Sriwijaya
13	15.00-15.10	2715	Ahmad Zikri, Indah Puspita, Erlinawati, Sutini PL, Agus M Elbi Zalita P, Andre Krismantoro	Production Of Green Diesel From Crude Palm Oil (CPO) Through Hydrotreating Process By Using Zeolite Catalyst	State Polytechnic of Sriwijaya
14	15.10-15.20	2723	Muhammad Hanif Fatin, A. Husaini, Leila Kalsum	Effect Of Adding Palm Oil Mill Effluent (POME) And Slurry On Biogas From Cow Manure To Produced Methane Gas	Politeknik Negeri Sriwijaya
15	15.20-15.30	2796	Aida Syarif, Rusdianasari, M. Yerizam, Sahirman Yusi	CHARACTERIZATION OF THERMAL ACTIVATED FLY ASH ADSORBENT BY STUDYING THE EFFECT OF TEMPERATURE	Politeknik Negeri Sriwijaya

16	15.30-15.40	2516	A Hasan, I Purnamasari, M Yerizam, A Hasan, R Junaidi	Drying Rate Of Skim Milk From Virgin Coconut Oil Remaining Water	Sriwijaya State Polytechnic
17	15.40-15.50	2656	Ibnu Hajar, Fadarina, Mustain Zamhari, Selastia Yuliati	Tofu Industrial Wastewater Treatment by Electrocoagulation Method	Politeknik Negeri Sriwijaya
18	15.50-16.00	2792	Elina Margaretty, Erwana Dewi, Leila Kalsum, Aisyah Suci Ningsih	BIOCELLULOSE MEMBRANE OF COCONUT WATER	Politeknik Negeri Sriwijaya
19	16.00-16.10	2794	Jaksen M. Amin, Idha Silviyati, Endang Suraptiah, Rima Dania	Surfactant Methyl Ester Sulfonate From Crude Palm Oil (CPO)- based Methyl Ester	Politeknik Negeri Sriwijaya
20	16.10-16.20	2250	Husaini A, Zaman M, Chodijah S, Hilwatullisan, Ibrahim	Oil Palm Empty Bunches As An Alternative Raw Material For Making Bioplastics	Politeknik Negeri Sriwijaya
21	16.20-16.30	2511	Azharuddin, Syafei, Didi Suryana, Indra Hb, M R Rahmaddy Y Pratomo, M A Ariasya	The Effect Of The Catalyst (Naoh) On The Processing Of Waste Used Oil Into Liquid Fuel	State Polytechnic Of Sriwijaya
22	16.30-16.40	2766	Ella Sundari, Soengeng Witjahjo, Eka Satria Martomi, Dodi Tafrant	DESIGN AND PROTOTYPE OF PAVING BLOCK MAKING MACHINE	Politeknik Negeri Sriwijaya

# RUNDOWN

## TRACK 1

### (Engineering and Science)

ROOM : 2  
 TIME : Wednesday, 11 November, 2020/ 13.00 - 16.30  
 ARTICLES : 22  
 MODERATOR : Dr. Eng. Tresna Dewi, M.Eng/ Ozkar F.H., M.Eng

NO	Time	ID	AUTHORS	TITLE	AFFILIATION
1	13.00-13.10	2094	Sujito, Mokh. Sholihul Hadi, I Made Wirawan, Faiz Syaikhoni, Abdullah Iskandar Syah, Danny Mayrawan	Water Quality Monitoring System In Gurame Fish Cultivation Based On Esp32	Universitas Negeri Malang
2	13.10-13.20	2426	Fatahul Arifin, Fenoria Putri, Iskandar, Mulyadi, Suparjo, Franando, Yusuf Dewantoro Herlambang	Optimization Of Stroke Rehabilitation Hand Component Of 3d Printing With Taguchi Method Approach	Politeknik Negeri Sriwijaya, Politeknik Negeri Semarang
3	13.20-13.30	2457	Ismail T, Dyos S, Joni Y, Samuel S, Abdurahman W, Aldi Y	Experimental Research Of The Influence Of Hot Machining Method On Aisi 4340 Lathe Machine Process Towards Specific Cutting Energy And Surface Roughness	Sriwijaya University
4	13.30-13.40	2487	Sujito, M.Z. Falah, M. R. Faiz	Study Of Capacitor Placement To Improve The Voltage Profile In Contingency Conditions Of The 150 Kv Madura Electricity Power System	Universitas Negeri Malang
5	13.40-13.50	2488	Tresna Dewi, Ahmad Taqwa, Rusdianasari, Rd Kusumanto, And Carlos Sitompul	The Investigation Of Sea Salt Soiling On Pv Panel	Politeknik Negeri Sriwijaya
6	13.50-14.00	2490	Yurni Oktarina, Tresna Dewi, Pola Risma, And	Real-Time Wireless Concept Of Vehicle To Vehicle Charging System	Politeknik Negeri Sriwijaya

			Muhammad Nawawi		
7	14.00-14.10	2522	Zainal Abidin , M. Yanis, M. Zahri Kadir, Astuti , Akbar Teguh Prakoso, Edo Syahrizal, Ardiyansyah Syahrom, Hasan Basri	Optimization Of Fdm 3d Printing Process Parameter For Improving Porosity Accuracy Of Pla Scaffold	Universitas Sriwijaya, Universiti Teknologi Malaysia,
8	14.10-14.20	2527	Risky Utama Putra, Akbar Teguh Prakoso, Amir Putra Md Saad, Ardiyansyah Syahrom, Hasan Basri	Fatigue Prediction Of Porous Magnesium Bone Scaffold Using Finite Element Method	Universitas Sriwijaya, Universiti Teknologi Malaysia
9	14.20-14.30	2763	Bambang Guntoro, Zainuddin, M. Yunus, Siswandi	THE GROUNDING SYSTEM IN FEEDER TOMAT PT. PLN (PERSERO) ULP MARIANA	Politeknik Negeri Sriwijaya
10	14.30-14.40	2510	Dp Putra, Romli, D Seprianto, Hasan Basri	Optimization Of Production Process Parameters Of Dlp Type 3d Printer Design For Product Roughness Value	Universitas Sriwijaya
11	14.40-14.50	2592	Ali Nurdin, Jon Endri, Ibnu Ziad, Ciksadan	Design Of Electronic Instruments As Tools Air Pollution Detection	Politeknik Negeri Sriwijaya
12	14.50-15.00	2249	W Adipradana, A Sofijan, Rahmawati, I Bizzy, R Sipahutar, M A Fajri	Datalogger Experimental Analysis Based On Arduino Mega 2560 On A 100 Wp Monocrystalline Solar Panel Using Perforated Plate	Sriwijaya University
13	15.00-15.10	2722	Romli, M. Afif Rizkiawan, Karmin, Sairul Effendi, Firdaus	The Effect Of Induction Heating On Tensile Test Specimens' Clamping Products Through The Medium Carbon Steel Materials' Engineering Technique	State Polytechnic Of Sriwijaya

14	15.10-15.20	2484	D Mayrawan, Sujito, I M Wirawan, F S Aziz, A I Syah, Ma Ashidiqi	Development Internet Of Things For Water Quality Monitoring System For Gouramy Cultivation	Universitas Negeri Malang
15	15.20-15.30	2485	M Z Falah, Sujito, I Mwirawan	Contingency Analysis On 150 Kv Electricity Power System On The Madura Island Based On The 1p1q Method	Universitas Negeri Malang
16	15.30-15.40	2797	Ozkar F. Homzah,* Tri Widagdo, Mardiana, Ibnu Asrofi, Destra A Pratama	Prototype of Small Savonius Wind Turbine	Politeknik Negeri Sriwijaya
17	15.40-15.50	2780	Yahya, Muhammad Rasid, Dicky Seprianto, Yahya	The Formation of Machine Components Using Powder Metallurgy Method Utilizing Metal Powder from Grinding Process	Politeknik Negeri Sriwijaya
18	15.50-16.00	2736	Noer Fadzri Perdana Dinata, Hasan Basri	Simulation-Based Analysis On Vacuum Actuated Soft Robotic Gripper: Trajectory And Stress Intensity Factor	Universitas Sriwijaya
19	16.00-16.10	2731	Lulu Khoirunnisa, Hasan Basri	Failure Analysis And Performance Assessment Of Tubular Air Heater At PLTU South Sumatra V	Universitas Sriwijaya
20	16.10-16.20	2787	Almadora Anwar Sani, Rachmat Dwi S, Irawan Malik, Ali Medi, Agus Nugraha	Automatic simulation of moving products using Line Follower and Conveyor	Politeknik Negeri Sriwijaya
21	16.20-16.30	2751	Mirdiansyah, Ahmad Taqwa, Yohandri Bow	Monitoring Depth of Discharge of a Valve Regulated Lead Acid Battery in a Standalone PV System	Politeknik Negeri Sriwijaya
22	16.30-16.40	2650	A Zamheri, D Seprianto, Carlos RS Indri A, TC Persada <sup>5</sup>	The Effect of Parameter Process 3D Printer Technology Digital Light Processing to Geometric of Shaft	Politeknik Negeri Sriwijaya

# RUNDOWN

## TRACK 1

### (Engineering and Science)

ROOM : 3  
 TIME : Wednesday, 11 November, 2020/ 13.00 - 16.30  
 ARTICLES : 22  
 MODERATOR : Dr. Martha Aznury, M.Si./ Dr. Indrayani, ST, MT

NO	Time	ID	AUTHORS	TITLE	AFFILIATION
1	13.00-13.10	2073	Fadhila Firdausa, Sri Rezki Artini, Ahmad Syapawi, Puryanto	Bending Test Galvalum Cold Formed Steel Beam With Variation Mortar And Reinforcement Bars	Polytechnic Of Sriwijaya
2	13.10-13.20	2089	Pataras M, Kadarsa E, Permata D Y, Khairunnisa S, Akbar M A, Pratama Y	Index Of Retained Strength And Weight Loss On Flexible Pavement Ac-Wc And Hrs-Wc Using Polymer Products Ethylene Vinyl Acetate (Eva) And Styrene-Butadiene-Styrene (Sbs)	Sriwijaya University
3	13.20-13.30	2101	Adhitya B B, Pataras M, Kurnia A Y, Wiranda N, Wulansari W, Islami B M	Utilization Of Residual Sand Materials From The Mining Of Kaolin And Tin In Bangka Island On Flexible Pavement Structure	Sriwijaya University
4	13.30-13.40	2218	Ika Sulianti, Ibrahim, Indah Ayu Wiloka, Reta Iftitah Sari	The Influence Of Anadara Granosa's Shell Waste As A Substitute Of Fine Aggregate In Mixed Asphalt Concrete Wearing Course (Ac-Wc)	State Polytechnic Of Sriwijaya
5	13.40-13.50	2236	S Nisumanti, N Puspita, S Mulyaningsih,	Analysis Of The Impact Of Palembang - Indralaya (Palindra) Toll Road To Palembang – Indralaya National Road Service Levels	Universitas Indo Global Mandiri

6	13.50-14.00	2402	Sazili Harnawansyah, Herlinawati, Bastoni Hasasi, Radius Pranoto	The Effect Of Fly Ash As A Part Cement Institution On High-Quality Concrete Fc'35	Sriwijaya State Polytechnic
7	14.00-14.10	2553	Mahmuda, Revias, Siswa Indra, Sumiati	The Use Of Cold-Formed Steel As A Substitute For Reinforcement On Structural Of Lightweight Concrete Beams	State Polytechnic Sriwijaya
8	14.10-14.20	2724	Ibrahim, Amiruddin, And Ika Sulianti, And Agus Subrianto	The Effect Of Air Pressure On Foamed Mortar Production	State Polytechnic Of Sriwijaya
9	14.20-14.30	2767	Efrilia Rahmadona, , Sudarmadji, Norca Praditya, M. Ade Surya Pratama,	The Characteristics of Folding Bicycle Users Against The Selection of Transportation Modes in Palembang City	Politeknik Negeri Sriwijaya
10	14.30-14.40	2081	Rosdiana, Moeksin	Effect Of Amount Potassium Hydroxide, Methanol, And Electricity Current On The Production Process Of Methyl Esters From Used Frying Oil	Sriwijayaof University
11	14.40-14.50	2611	Moch.Absor, Yusri, A.Latif, A. Fuad Z.Muhammad Yusri R.	Optimization Of Public Trasport Service Bus Rapid Transit (Brt) Trans Musi In The City Of Palembang	Politeknik Negeri Sriwijaya
12	14.50-15.00	2109	Yonki Alexander Volta, Rusdianasari, Syahirman Yusi	Life Cycle Assessment (Lca) In Pulp & Paper Mills: Comparison Between Mfo With Biomass In Lime Kiln	Politeknik Negeri Sriwijaya
13	15.00-15.10	2120	Farida Ali, Lia Cundari, Siti Miskah, Hendri Prasetyo	Effect Of Variations Concentration And Ph Of Liquid Smoke In The Immersion With Various Types Of Fish	Universitas Sriwijaya
14	15.10-15.20	2154	Indrayani , Andi Herius, Akhmad Mirza, Ricky Ravsyhan Alhafez	Comparison Of The Use Of Fly Ash And Rice Husk Ash In The Making Of Geopolymer Concrete	Politeknik Negeri Sriwijaya

15	15.20-15.30	2235	Norma Puspita	Flexural Strength Analysis Of Concrete With The Addition Of B3 Waste As An Additive To Ordinary Portland Cement (Opc)	Universitas Indo Global Mandiri
16	15.30-15.40	2811	Agung Budi Santoso, Martha Aznuri, Nova Rachmadona, Robert Junaidi, Fertarina Pratiwi	Simulation of Silage Production from Water Hyacinth ( <i>Eichornia crassipes</i> ) as Ruminants Feed Based on The Increase of <i>Aspergillus niger</i>	<i>University, Bangkok, Thailand, Politeknik Negeri Sriwijaya, Kobe University, Japan</i>
17	15.40-15.50	2645	Sumiati, Mahmuda, Ahmad Syapawi	The placement position of hollow cores in the ideal longitudinal direction on the reinforced concrete beam	State Polytechnic Sriwijaya
18	15.50-16.00	2741	Nova Rachmadona, Martha Aznury, Chiaki Ogino	Production of Biodiesel from Unrefined Plants-Derived Oil by Immobilized <i>Aspergillus oryzae</i> Expressing <i>Bacillus thermocatenulatus</i> Lipase	Kobe University, Japan
19	16.00-16.10	2571	Darma Prabudi, Kosim, Zainuddin, Raja Marpaung	Partial Substitution Of Cement Using Fly Ash And Carbite Waste In The Making Of Normal Concrete	Sriwijaya State Polytechnic
20	16.10-16.20	2660	Hendi Warlika Sedo Putra, Maya Fitri Oktarini, Primadella	Community Adaptation to Traditional Markets during the Pandemic Period in Palembang City	Politeknik Negeri Sriwijaya
21	16.20-16.30	2809	Martha Aznury, Elina Margerty, Melianti Sofiah, Yuniar, Sufi Awwaliyah	EFFECT OF FERMENTATION TIME AND PERCENTAGE OF MORINGA ( <i>Moringa oleifera</i> ) FLOUR VARIATIONS ON VITAMIN C OF YOGURT	Politeknik Negeri Sriwijaya
22	16.30-16.40	2744	R.Marpen, A. Hasan, AN.Sari,HWS.Putra, R. Pranoto	Road Damage Conditions Analysis Of Tanjung Api-Api - Gasing District Road Based On Surface	Politeknik Negeri Sriwijaya



				Distress Index (Sdi) Method	
--	--	--	--	--------------------------------	--

# RUNDOWN

## TRACK 2

**(Computer Science, , Computer Engineering, Information System, Informatics Management)**

ROOM : 5  
 TIME : Wednesday, 11 November, 2020/ 13.00 - 16.30  
 ARTICLES : 21  
 MODERATOR : M.Miftakhul Amin, M.Eng /Aryanti, M.Kom.

NO	Time	ID	AUTHORS	TITLE	AFFILIATION
1	13.00-13.10	2550	Muhammad Aris Ganiardi, Indri Ariyanti, Nita Novita, Delta Khairunissa	DATA MODEL PATTERN FOR DATA WAREHOUSE WEB APPLICATION OF INFORMATION PORTAL (Case study : Hidyatullah Integrated Islamic Boarding School, Banyuasin Regency)	Politeknik Negeri Sriwijaya
2	13.10-13.20	2577	Dedy Kurniawan, Ahmad Rifai, Ariansyah Saputra	Inventory control and EOQ forecasting tools as effective decision-making model	Universitas Sriwijaya, Politeknik Negeri Sriwijaya
3	13.20-13.30	2096	Sujito Sujito, Faiz Syaikhoni Aziz, Aji Prasetya Wibawa, I Made Wirawan, Ari Priharta, Abdullah Iskandar Syah, Tran Huu Duy	Increasing Sensitivity of pH Detection Using Computer Vision Based Biosensors	Universitas Negeri Malang Dalat University
4	13.30-13.40	2603	Ica Admirani, Ikhthison Mekongga, Isnaini Azro, Hidayati Ami, Rian Rahmanda Putra	Adaptive Fuzzy time Series Method to Forecasting Enrollments of New Student (Case Study : Department of Computer Engineering, State Polytechnic of Sriwijaya)	Politeknik Negeri Sriwijaya
5	13.40-13.50	2613	Azwardi, Yulian Mirza, Alan Novi Tompunu, Ariansyah Saputra	ROOM SAFETY SYSTEM USING FACE RECOGNITION USING TELEGRAM	Politeknik Negeri Sriwijaya

				AND RASPBERRY PI BASED HISTOGRAM OF ORIENTED METHOD	
6	13.50-14.00	2618	Ahyar Supani, Ahmad Bahri Joni Malyan, Herlambang Saputra, Indarto, Yuli Andriani	Telemetry Design Accuration of Patient's Temperature with IoT Approach	Politeknik Negeri Sriwijaya, Universitas Sriwijaya
7	14.00-14.10	2097	Faiz Syaikhoni Aziz, Sujito Sujito, Aji Prasetya Wibawa, I Made Wirawan, Ari Priharto, Abdullah Iskandar Syah, Tran Huu Duy	Image Processing System for pH Classification Using Biosensors	Universitas Negeri Malang Dalat University
8	14.10-14.20	2274	Irma Salamah, Lindawati, Asriyadi, M.Fadhli	Quality Measurement Evaluation of the POLSRI Learning Management System Website Using Importance Performance Analysis (IPA) Method	Politeknik Negeri Sriwijaya
9	14.20-14.30	2620	M. Miftakul Amin, Slamet Widodo, Adi Sutrisman, Ervi Cofriyanti, Ali Firdaus	RESTful Web Service as Data Generator for Reporting of Academic Information System	Politeknik Negeri Sriwijaya
10	14.30-14.40	2666	Abdul Rakhman, Irawan Hadi, Nasron, Martinus Mujur Rose	Design and Implementation of Learning E-Scheduling in Sriwijaya State Polytechnic - Telecommunication Engineering Study Program	Politeknik Negeri Sriwijaya
11	14.40-14.50	2702	Yusniarti, Henny Madora, Ida Wahyuningrum, Muhammad Noval	PHP PROGRAMMING FOR ACHIEVING STUDENTS IN INFORMATICS MANAGEMENT DEPARTMENT STATE OF POLYTECHNIC SRIWIJA	Politeknik Negeri Sriwijaya

12	14.50-15.00	2704	Robinson, Deri Darfin, Zulkarnaini, Ridwan Effendi,	MEDICAL SERVICES APPLICATION OF LECTURERS, STAFF AND STUDENTS IN THE SRIWIJAYA STATE POLYTECHNIC POLYCLINIC	Politeknik Negeri Sriwijaya
13	15.00-15.10	2768	Rahman Hakim, Muhammad Hasan Albana, Widodo, Hanifah Widiastuti and Wahyu Caesarendra	Prototype development of motorbike towing hook toward authorized mechanic perception and investigation	Politeknik Negeri Batam, Universiti Brunei Darussalam
14	15.10-15.20	2770	Mochamad Denny Surindra, Wahyu Caesarendra	Investigation Study of Pressure Different Effect at Evaporator in Organic Rankine Cycle Simulator (ORCS) Using Low-grade Waste Heat	Politeknik Negeri Semarang, Universiti Brunei Darussalam
15	15.20-15.30	2644	Indra Satriadi, Sony Oktapriandy, Hetty Meileni, Desy Aprianty..	Application of Tracking Letter Disposition at State Polytechnic of Sriwijaya based on Android Webview	Politeknik Negeri Sriwijaya,
16	15.30-15.40	1994	Ikhthison Mekongga, Aryanti Aryanti	The Shortest Path Search Application For Base Transceiver Station (Bts) Using A* Algorithm	Politeknik Negeri Sriwijaya, Southern Taiwan University Of Science And Technology, Tainan, Taiwan
17	15.40-15.50	2615	Aryanti Aryanti , Ade Silvia Handayani, Ibnu Ziad, Ikhthison Mekongga, Farid Jatri Abiyyu	Compatibility Of Linux Architecture For Diskless Technology System	Southern Taiwan University Of Science And Technology, Tainan, Taiwan, Politeknik Negeri Sriwijaya
18	15.50-16.00	2636	M. Zakuan Agung, Eka Susanti , R.A Halimatussa'diyah, Susanzefi, Amirah Fakhirah	Reservoir Irrigation System Design Based Wireless Sensor Network	Politeknik Negeri Sriwijaya

<b>19</b>	16.00-16.10	2817	Sarjana, Adewasti, Sholihin, Emilia Hesti	Using Night Vision Camera Robot Based On Internet Of Thing	Politeknik Negeri Sriwijaya
<b>20</b>	16.10-16.20	2726	Yudi Wijanarko, Selamet Muslimin, Renny Maulidda	Biometric Fingerprint Implementation For Presence Checking And Room Access Control System	Politeknik Negeri Sriwijaya
<b>21</b>	16.20-16.30	2663	Ahmad Taqwa, Mohammad Fadhli, Sopian Soim, Ade Silvia Suroso	Prototype Design of Landslide Early Detection System Using LoRa and IoT	Politeknik Negeri Sriwijaya

# RUNDOWN

## TRACK 2

### (Computer Science, , Computer Engineering, Information System, Informatics Management)

ROOM : 6  
 TIME : Wednesday, 11 November, 2020/ 13.00 - 16.30  
 ARTICLES : 21  
 MODERATOR : Dr.Nyayu Latifah H, MT/Rika Sadariawati, M.Si.

NO	Time	ID	AUTHORS	TITLE	AFFILIATION
1	13.00-13.10	2078	M. Rudi Sanjaya, Yadi Utama, Dedy Kurniawan, Ariansyah Saputra, Novita Sari, Rahma Destriani, Muhammad Raihan Udda Rahmany	Implementation of Ustadz Search Software for Mubaligh, Qori and Qoriah Categories in Palembang Using an Android-Based Usability Approach	Universitas Sriwijaya, Politeknik Negeri Sriwijaya,
2	13.10-13.20	2619	Leni Novianti, Devi Sartika, Dewi Irmawati, Ienda Meiriska	Application of Campus Parking Area for State Polytechnic of Sriwijaya Based on Smartphone	Politeknik Negeri Sriwijaya
3	13.20-13.30	2669	Devi Sartika, Leni Novianti, Dewi Irmawati, Ienda Meiriska	ANDROID-BASE m-VOTING APPLICATION DEVELOPMENT WITH SIMPLE ADDITIVE WEIGHTING METHOD	Politeknik Negeri Sriwijaya
4	13.30-13.40	2098	M. Rudi Sanjaya, Ariansyah Saputra, Bayu Wijaya Putra, Novita Sari, Rahma Destriani, Muhammad Raihan Udda Rahmany	Design Web Based Online Tutoring Application in Palembang City Using the SUS (System Usability Scale) Method	Universitas Sriwijaya, Politeknik Negeri Sriwijaya,
5	13.40-13.50	2225	Yayuk Ike Melani and Mahmud	Black Box Testing Using Equivalence Partition Method in Sintana Application	STMIK PalComTech, Palembang
6	13.50-14.00	2366	Eko Setiawan and Wiza Yunifa	The Design of A Tool To Measure The Effectiveness and Efficiency of Users	Politeknik PalComTech Palembang

				Towards The Application of Polisiku Application	
7	14.00-14.10	2432	Hendra Hadiwijaya, Febrianty Febrianty, Rezania Agramanisti Azdy	Database Design for Child Special Development Institution's Service Performance E-dashboard (Case Study: Palembang Child Special Development Institution)	Politeknik PalComTech, STMIK Palcomtech
8	14.10-14.20	2440	Dedy Kurniawan, Ariansyah Saputra, M. Rudi Sanjaya, Zaqqi Yamani	Extending The Understanding of Business Intelligence and Its Application In Startups	Universitas Sriwijaya, Politeknik Negeri Sriwijaya,
9	14.20-14.30	2472	Hetty Meileni	THE APPLICATION OF DIGITAL MARKETING FOR UKM IN FACING THE COVID-19 PANDEMIC	Politeknik Negeri Sriwijaya
10	14.30-14.40	2586	Hartati Deviana	Designing Student And Lecturer Attendance System Application Using Progressive Web Apps (PWA)	Politeknik Negeri Sriwijaya
11	14.40-14.50	2760	Donny Novaliendry	Designing augmented reality-based computer devices learning media on android platform	Universitas Negeri Padang
12	14.50-15.00	2706	Alan Novi Tompunu, Nelly Masnila, Zakaria, Azwardi, Ainun Nabila	Public Service Announcement Implementation of Learning at the Sriwijaya State Polytechnic in Minimizing the Risks and Impacts Caused by the Covid-19 Pandemic	Politeknik Negeri Sriwijaya
13	15.00-15.10	2087	Husnawati, Shinta puspasari, Rian Rahmanda Putra	Principal Component Analysis Method For Image Segmentation Of Smart Meter Digital	Indo Global Mandiri University, Politeknik Negeri Sriwijaya

14	15.10-15.20	2838	Muhammad Haikal Satria, Arie Jaenul, Adhes Gamayel	Design of Solar Powered Vaccine Backpack	Jakarta Global University
15	15.20-15.30	2798	Evelina , Amperawan Dewi Permata Sari , Sabilal Rasyad	TRAINER MODULE DESIGN OF ITEM SORTING EQUIPMENT BASED ON HEIGHT AND PLC-BASED TRAFFIC LIGHT PROTOTYPE IN THE SYSTEM LABORATORY	Politeknik Negeri Sriwijaya
16	15.30-15.40	2599	Ade Silvia Handayani, Ahmad Taqwa, Arsyil Shiddik, Nyayu Latifah Husni	Prototype Development Of Heartbeat And Body Temperature Monitoring System Based On Internet Of Things	Politeknik Negeri Sriwijaya
17	15.40-15.50	2661	Ade Silvia Handayani, Jefri Alkausar, Sarjana, Nyayu Latifah Husni, Siti Nurmaini, Irsyadi Yani	Implementation of Fuzzy Logic Type-2 On Mobile Robot Navigation System	Politeknik Negeri Sriwijaya
18	15.50-16.00	2805	Nyayu Latifah Husni, Arganda Meranda, Destra Andika Pratam, Ekawati Prihatini, Selamat Muslimin, Ade Silvia Handayani	Wireless Detector for Lung Sound Disorder based on DSP TMS320C6416 Module	Politeknik Negeri Sriwijaya
19	16.00-16.10	2806	Nyayu Latifah Husni, Qodry Maulana, Ekawati Prihatini, Ade Silvia Handayani, Firdaus	New Navigation Strategy for G-Bot	Politeknik Negeri Sriwijaya
20	16.10-16.20	2824	Ade Silvia Handayani, Nyayu Latifah Husni, Al Fatur Sayid, Rosmalinda Permatasari, Carlos R Sitompul, Sopian Soim	Air Detection Environment System (Adev) Using Android Application for Air Quality in Park Area	Politeknik Negeri Sriwijaya, Universitas Tridianti Palembang
21	16.20-16.30	2775	Carlos R Sitompul, Zainuddin Nawawi, Irfan Jambak, Rumiasih Rumiasih, Anton Firmansyah, Indah Susanti	The condition of the surface severity of the polluted insulator based on harmonic measurements of leakage currents	Politeknik Negeri Sriwijaya



## RUNDOWN TRACK 3 (Social Science)

ROOM : 7  
 TIME : Wednesday, 11 November, 2020/ 13.00 - 16.30  
 ARTICLES : 16  
 MODERATOR : Doeslohal Djumrianti, Ph.D/ Dr. Marieska L

NO	Time	ID	AUTHORS	TITLE	AFFILIATION
1	13.00-13.10	2575	Abd. Hamid, Ummasyroh, Jusmawi Bustan, Heri Setiawan	The Influence Of Travel Experience And Destination Quality On Tourist Satisfaction Visiting Culinary Tourism Destinations	State Polytechnic Of Sriwijaya
2	13.10-13.20	2576	A.Jalaludin Sayuti, Munparidi, L.Suhairi Hazizma, Alditia Detmuliati	The Effect Of Organizational Support And Job Characteristics On Employee Engagement	State Polytechnic Of Sriwijaya
3	13.20-13.30	2578	Afrizawati , Faisal, Divianto, Yahya	Implication Of Work Ability And Organization Climate Against Turnover Intention Through Work Satisfaction As Intervening Variables In Global Capital Investama, Palembang PT.	State Polytechnic Of Sriwijaya
4	13.30-13.40	2581	Purwati, Yusleli Herawati, Elisa, Marieska Lupikawati	The Linkage Between Market Orientation, Learning Orientation, And Innovation Capabilities Of Small Scale Restaurant	State Polytechnic Of Sriwijaya
5	13.40-13.50	2589	Yusri, Sri Gustiani, Tiur Simanjuntak, Evi Agustinasari	Strengthening Students' Writing On Project Report Via Project Based Learning To The English Department Students Of Sriwijaya State Polytechnics	State Polytechnic Of Sriwijaya
6	13.50-14.00	2596	Deslochal Djumrianti, Pridson Mandiangan , Hanifati, Alfitriani	Analysis Of Daily Conversation For Online Drivers	Politeknik Negeri Sriwijaya

7	14.00-14.10	2711	Farida Husin, Ibnu Maja, Yulianto Wairan, Lindawati	THE STUDENTS' PERCEPTIONS OF RELIGIOUS RADICALISM AT STATE POLYTECHNIC OF SRIWIJAYA	Politeknik Negeri Sriwijaya
8	14.10-14.20	2733	Koryati Koryati, Aisyah Shahab, Zulkifli Zulkifli, Nian Masna Evawati	The Correlation between Students' Listening Comprehension Strategy and Their TOEIC Score at State Polytechnic of Sriwijaya	Politeknik Negeri Sriwijaya
9	14.20-14.30	2734	Lisbet Octovia Manalu, Budi Rustandi, Budi Somantri	DESCRIPTION OF ANXIETY LEVELS OF PRE SCHOOL CHILDREN WITH THALASEMIA WHO WILL GET BLOOD TRANSFUSE IN THE THALASEMIA POLY AT AL-IHSAN BALEENDAH HOSPITAL, BANDUNG	Rajawali Health Institute Bandung
10	14.30-14.40	2759	Setiawan Priatmoko, Dávid Lóránt,,	A Story of a Cup of Coffee Review of Google Local Guide Review	STIE Pariwisata API Yogyakarta, Indonesia/ Szent Istvan University School of Economics and Regional Science Gödöllő, Hungary
11	14.40-14.50	2788	Desloehal Djumrianti , Augustus E. Oseso-Asare	Asian women's roles in family holiday: A case study of Indonesian females	Politeknik Negeri Sriwijaya , University of Sunderland, United Kingdom
12	14.50-15.00	2789	Desloehal Djumrianti , Augustus E. Oseso-Asare	Analysis of Daily Conversation for Online Drivers	Politeknik Negeri Sriwijaya , University of Sunderland, United Kingdom

13	15.00-15.10	2791	Muhamad Erwin, Ahmad Taqwa, Dicky Seprianto, Ahmad Zamheri	The Customary Philosophy of the Anak Dalam Tribe as part of the soul of the nation's law	Politeknik Negeri Sriwijaya
14	15.10-15.20	2612	Alhushori, Yusnizal Firdaus, Markoni Badri, Muhammad Yusuf	THE INFLUENCE OF LEADERSHIP STYLE, AND MOTIVATION WORK STRUCTURE TO MUARA ENIM COMMUNITY HEALTH CENTER (EQUATION STRUCTURAL METHOD APPROACH)	State Polytechnic Of Sriwijaya
15	15.20-15.30	2713	Ayu Puspasari	SETTLEMENT OF CASES OF TERMINATION OF EMPLOYMENT AT THE INDUSTRIAL RELATION COURT IN PALEMBANG CITY	Politeknik Negeri Sriwijaya
16	15.30-15.40	2845	Nur Rizka Erlianta, Marieska Lupikawaty, Titi Andriyani	The Effect of Financial Technology on Financial Inclusion in SMEs in Palembang City	Politeknik Negeri Sriwijaya

## RUNDOWN TRACK 3 (Social Science)

ROOM : 8  
 TIME : Wednesday, 11 November, 2020/ 13.00 - 16.30  
 ARTICLES : 16  
 MODERATOR : Dr. Sari Lestari ZR/ Dr. Rita Martini.

NO	Time	ID	AUTHORS	TITLE	AFFILIATION
1	13.00-13.10	2217	Sarikadarwati, Henny Yulsiati, Sandrayati, Susi Ardiani	The Effect Of Patient Satisfaction Levels On Competency And Facilities At Siti Khadijah Islamic Hospital, Palembang City	Polytechnic Of Sriwijaya
2	13.10-13.20	2579	Aladin, Evada Dewata, Yuliana Sari, Yuli Antina Aryani	The Role Of Small And Medium Enterprises (Smes) And Economic Growth In Indonesia: The Vecm Analysis	Politeknik Negeri Sriwijaya
3	13.20-13.30	2583	Rita Martini, Endah Widyastuti, Sukmini Hartati, Zulkifli, Riana Mayasari	Poverty In South Sumatra Province Is Viewed From Village Fund And Village Fund Allocation	Polytechnic State Of Sriwijaya
4	13.30-13.40	2602	Rosyarmaini, Maria Maria, Nurhasanah Nurhasanah, Yevi Dwitayanti	Impact Of Bumdesa Management On Padesa In Penukal Abab Lematang Ilir Regency	State Polytechnic Of Sriwijaya
5	13.40-13.50	2803	Sri Hartaty, Eka Jumarni F, Anggeraini O, L. Vera R.P.	Factors Affecting Economic Growth in Regencies and Cities in The Province of South Sumatra in 2010 - 2018	Politeknik Negeri Sriwijaya
6	13.50-14.00	2621	Indra Satriawan, Ardiyan Natoen, Periansya, Sopiyan AR	The Effect Of Local Government Characteristics And Bpk Audit Opinions On The Financial Performance Of Local Governments (Study On Local Governments In South Sumatra)	Sriwijaya State Polytechnic

7	14.00-14.10	2519	Neneng Miskiyah, Sari Lestari Zainal Ridho, Hadi Jauhari, Ketu Purnamasari	Dimensions Of Women's Empowerment	Sriwijaya State Polytechnic
8	14.10-14.20	2658	Edwin Frywaruwah, Bainil Yulina, Sulaiman, Siska Aprianti	The Effect of Entrepreneurial Competencies on Business Performance (empirical study on MSMEs of Palembang woven fabric)	Politeknik Negeri Sriwijaya
9	14.20-14.30	2756	Riza Wahyudi, Muhammad Thoyib, Firmansyah , Darul - Amri	Analysis of Marketing Mix Strategy on Consumer Value in Small and Medium Enterprises in Palembang, South Sumatera (Case Study of Palembang's Traditional Processed Food)	Politeknik Negeri Sriwijaya
10	14.30-14.40	2804	Mariskha. Z, Hendra Sastrawinata, Dr. Dewi Fadilah, M. Riska Maulana	THE EFFECT OF PLANNING ON RISK OF LOSS IN INVESTING IN THE CAPITAL MARKET	Politeknik Negeri Sriwijaya
11	14.40-14.50	2567	Esya Alhadi, Gst Ayu Oka Windarti, Elvia Zahara, Titi Andriani	The Effect Of Bank Credibility And Service Convenience On Bank Customer Attitudes	State Polytechnic Of Sriwijaya
12	14.50-15.00	2814	Kartika Rachma Sari, Zainal Arifin, Desi Indriasari, Choirudin	The Influence of Information Quality and Information System Quality of Regional Assets on User Satisfaction at the Provincial Government of South Sumatera	Politeknik Negeri Sriwijaya ,
13	15.00-15.10	2822	Beni Wijaya, Zakaria, Munaja Rahma, Moehamad Ridhwan	Looking beyond Students' Writing: Its Relation to Their Academic Achievement	Politeknik Negeri Sriwijaya
14	15.10-15.20	2830	Vega Nabila Putri, Kuo Keo Pisey, Sukmini Hartati, Rita Martinil	Determinants of Regional Budget Absorption in the Regional Apparatus Organization of Palembang City	Politeknik Negeri Sriwijaya , CIEDI Cambodia-

					India, Cambodia
<b>15</b>	15.20-15.30	2834	Rita Martini, Muhammad Aulia Ramadhan, Sukmini Hartati	Aspects Affecting The Accountability Performance of Government Agencies Banyuasin District	Politeknik Negeri Sriwijaya
<b>16</b>	15.30-15.40	2846	Nelli Masnila, Farida Farida, M Husni Mubarok, Desri Yanto	HUMAN RESOURCES ASPECT ON ABILITY TO MANAGE BUMDES	Politeknik Negeri Sriwijaya

## Table of Content

FOREWORD FROM GENERAL CHAIR 4 <sup>th</sup> FIRST 2020 INTERNATIONAL CONFERENCE .....	2
FOREWORD FROM DIRECTOR OF STATE POLYTECHNIC OF SRIWIJAYA.....	4
ORGANIZING COMMITTEE.....	5
KEYNOTE SPEAKER .....	7
Prof. Dr. Chiaki Ogino.....	7
KEYNOTE SPEAKER .....	8
Wahyu Caesarendra, PhD .....	8
KEYNOTE SPEAKER .....	9
Prof. Yuliansyah, M.S.A., Ph.D, Akt, CA .....	9
KEYNOTE SPEAKER .....	10
Dr. H. Dodi Reza Alex Lic, Econ, MBA.....	10
KEYNOTE SPEAKER .....	11
Dr. Muhammad Haikal Satria, IPM .....	11
KEYNOTE SPEAKER .....	12
Assoc. Prof. Dr. Mohammed N. Abdulrazaq Alshekhly .....	12
RUNDOWN .....	13
The 4 <sup>th</sup> FIRST 2020 INTERNATIONAL CONFERENCE.....	13
(FORUM IN RESEARCH SCIENCE AND TECHNOLOGY) .....	13
SNAPTEKMAS (Seminar Nasional Aplikasi Teknologi pada Masyarakat) 2020.....	13
RUNDOWN .....	16
TRACK 1.....	16
(Engineering and Science) .....	16
RUNDOWN .....	19
TRACK 1.....	19
(Engineering and Science) .....	19
RUNDOWN .....	22
TRACK 1.....	22
(Engineering and Science) .....	22
RUNDOWN .....	26
TRACK 2.....	26
(Computer Science, , Computer Engineering, Information System, Informatics Management) .....	26
RUNDOWN .....	30
TRACK 2.....	30
(Computer Science, , Computer Engineering, Information System, Informatics Management) .....	30

RUNDOWN .....	33
TRACK 3 (Social Science).....	33
RUNDOWN .....	36
TRACK 3 (Social Science).....	36
CHARACTERIZATION OF BLENDING COMPOSITION VARIATIONS IN FATTY ACID METHYL ESTER (FAME) BIOFUELS WITH DIESEL TO BIODIESEL .....	51
ID : 2079 .....	51
Yusabri <sup>1,2</sup> , Muhammad Yerizam <sup>3</sup> , Aida Syarif <sup>4</sup> .....	51
<sup>1</sup> Applied Master of Renewable Energy Engineering, Politeknik Negeri Sriwijaya, Jalan Srijaya Negara, Palembang, 30139 Indonesia.....	51
<sup>2</sup> Crude Distillation and Gas Plant Production, PT. Pertamina (Persero) Refinery Unit III, Jalan Beringin, Kompleks Pertamina Refinery Unit III Plaju, Palembang, 30268 Indonesia. ....	51
<sup>3</sup> Chemical Engineering Department, Politeknik Negeri Sriwijaya, Jalan Srijaya Negara, Palembang, 30139 Indonesia.....	51
<sup>4</sup> Renewable Energy Engineering Department, Politeknik Negeri Sriwijaya, Jalan Srijaya Negara, Palembang, 30139 Indonesia. ....	51
PROCESSING PLASTIC WASTE HDPE AND PP ON PYROLYSIS TEMPERATURE USING CU-AL2O3 CATALYST INTO AN ALTERNATIVE LIQUID FUEL.....	52
ID : 2082 .....	52
Pamilia Coniwanti <sup>1</sup> , Fitri Hadiah <sup>1</sup> , David Bahrin <sup>1</sup> , Liza Novriani <sup>1</sup> , Gracia Mei Lie Justina <sup>1</sup> , Robinsyah <sup>1</sup> .....	52
<sup>1</sup> Chemical Engineering Department, Sriwijaya of University, Jl. Raya Palembang-Prabumulih KM. 32, Inderalaya, Ogan Ilir 30662, Indonesia .....	52
THE PURIFICATION OF BIOGAS WITH MONOETHANOLAMINE (MEA) SOLUTION BASED ON THE BIOGAS FLOW RATE .....	53
Id : 2749.....	53
Yohandri Bow <sup>1</sup> , Leila Kalsum <sup>2</sup> , Abu Hasan <sup>2</sup> , A. Husaini <sup>3</sup> , Rusdianasari <sup>2</sup> .....	53
<sup>1</sup> Energy Engineering Department, Politeknik Negeri Sriwijaya, Palembang, 30139 Indonesia.....	53
<sup>2</sup> Renewable Energy Engineering Department, Politeknik Negeri Sriwijaya, Jalan .....	53
Srijaya Negara, Palembang, 30139 Indonesia.....	53
<sup>3</sup> Chemical Engineering Department, Politeknik Negeri Sriwijaya, Jalan Srijaya, .....	53
Negara, Palembang, 30139 Indonesia. ....	53
FILTRATION AND ELECTROCOAGULATION AS A COMBINED PROCESS FOR ELECTROPLATING WASTEWATER.....	54
ID : 2758 .....	54
Rusdianasari <sup>1,*</sup> , Yohandri Bow <sup>2</sup> , Adi Syakdani <sup>3</sup> , Muhammad Taufik <sup>3</sup> .....	54
<sup>1</sup> Renewable Energy Engineering Department, PoliteknikNegeri Sriwijaya, Palembang, Indonesia.....	54



2 Energy Engineering Departmen, Politeknik Negeri Sriwijaya, Palembang, Indonesia..	54
3Chemical Engineering Department, Politeknik Negeri Sriwijaya, Palembang, Indonesia .....	54
STUDY OF TEMPERATURE AND USE OF CATALYSTS IN THE PYROLYSIS OF LDPE PLASTIC WASTE ON THE QUANTITY OF OIL FUEL PRODUCTS PRODUCED .....	55
ID : 2415 .....	55
Novarini <sup>1</sup> , Sigit Kurniawan <sup>2</sup> , Rusdianasari <sup>3</sup> , Yohandri Bow <sup>4</sup> .....	55
<sup>1</sup> Mechanical Engineering Department, Politeknik Jambi, Jambi, Indonesia.....	55
<sup>2</sup> Electronic Engineering Department, Politeknik Jambi, Jambi, Indonesia .....	55
<sup>3</sup> Chemical Engineering Department, Politeknik Negeri Sriwijaya, Palembang, Indonesia .....	55
<sup>4</sup> Energy Engineering Department, Politeknik Negeri Sriwijaya, Palembang, Indonesia .	55
TITANIUM DIOXIDE SOAKING TIME EFFECTS ON DSSC POWERS AND EFFICIENCY .....	56
ID : 2077 .....	56
Rika Musiana <sup>1</sup> , Abu Hasan <sup>2</sup> , RD Kusumanto <sup>3</sup> .....	56
<sup>1</sup> Applied Renewable Energy Engineering Study Program, Politeknik Negeri Sriwijaya,...	56
Jalan Srijaya Negara, Palembang, 30139 Indonesia. ....	56
<sup>2</sup> Renewable Energy Engineering Department, Politeknik Negeri Sriwijaya, Jalan .....	56
Srijaya Negara, Palembang, 30139 Indonesia. <sup>3</sup> Renewable Energy Engineering Department, Politeknik Negeri Sriwijaya, Jalan .....	56
Srijaya Negara, Palembang, 30139 Indonesia.....	56
EFFECT OF FEED COMPOSITION AND PRODUCT QUANTITY OF CO-PROCESSING REFINED BLEACHED DEODORIZED PALM OIL (RBDPO).....	57
Id : 2086.....	57
Juarsa <sup>1,2</sup> , Aida Syarif <sup>3</sup> , Leila Kalsum <sup>3</sup> .....	57
<sup>1</sup> Applied Master of Renewable Energy Engineering, Politeknik Negeri Sriwijaya,.....	57
Jalan Srijaya Negara, Bukit Besar, Palembang, 30139, Indonesia.....	57
<sup>2</sup> Crude Distillation and Light End Production, Pertamina Ltd. (Persero) Refinery Unit III, Beringin Road, Complex of Pertamina Refinery Unit III Plaju, Palembang, 30268 Indonesia .....	57
<sup>3</sup> Renewable Energy Engineering Department, Politeknik Negeri Sriwijaya,.....	57
Jalan Srijaya Negara, Bukit Besar, Palembang, 30139, Indonesia.....	57
TOFU INDUSTRIAL LIQUID WASTE TREATMENT BY ELECTROCOAGULATION METHOD .....	58
ID : 2748 .....	58
Ibnu Hajar <sup>1,*</sup> , Fadarina <sup>1</sup> , Mustain Zamhari <sup>1</sup> , Selastia Yuliaty <sup>1</sup> .....	58
<sup>3</sup> Chemical Engineering Department, Politeknik Negeri Sriwijaya, Palembang, Indonesia	58
EFFECT OF TEMPERATURE ON BIOFUELS PRODUCTION WITH CATALYTIC CRACKING PROCESS.....	59
ID : 2626 .....	59

KA Ridwan <sup>1,2</sup> , Aneasari M <sup>1</sup> , Taufik Jauhari <sup>1</sup> , Ida Febriana <sup>1</sup> .....	59
<sup>1</sup> Chemical Engineering Department, State Polytechnic of Sriwijaya, South Sumatra, Indonesia.....	59
EFFECT OF BENTONITE ON THE YIELD AND COMPOSITION OF PRODUCTS FROM THERMOLYSIS OF POLYSTYRENE WASTE .....	60
ID : 2573 .....	60
Lety Trisnaliani <sup>1a</sup> , Aida Syarif <sup>1</sup> , Sahrul Effendy <sup>1</sup> , Tahdid <sup>1</sup> , Rima Daniar <sup>1</sup> .....	60
<sup>1</sup> Energy Department, Politeknik Negeri Sriwijaya .....	60
PRODUCTION OF BIO-PELET BRIQUETTES FROM COCONUT SHELL WASTE AS ALTERNATIVE ENERGY FOR HOUSEHOLD SCALE .....	61
ID : 2665 .....	61
Muhammad Yerizam* <sup>1</sup> , Muhammad Zaman 1, Taufiq Jauhari <sup>1</sup> , Nur Yuli 1, Riwen Setiawan <sup>1</sup> , Umaidella Afrilla <sup>1</sup> .....	61
<sup>1</sup> Jurusan Teknik Kimia,Politeknik Negeri Sriwijaya Jl. Srijaya Negara, Bukit Besar, Palembang 30139, Indonesia.....	61
CATALYTIC PYROLYSIS OF STYROFOAM WASTE USING ZEOLITE CATALYST TO PRODUCE LIQUID FUEL .....	62
ID : 2707 .....	62
Zurohaina <sup>1*</sup> , Irawan Rusnadi, Fatria, Arizal Aswan, Rima Daniar .....	62
<sup>1</sup> Department of Chemical Engineering, Polytechnic of Sriwijaya, Palembang, Indonesia .....	62
PRODUCTION OF GREEN DIESEL FROM CRUDE PALM OIL (CPO) THROUGH HYDROTREATING PROCESS BY USING ZEOLITE CATALYST.....	63
ID : 2715 .....	63
Ahmad Zikri* , Indah Puspita, Erlinawati, Sutini PL, Agus M Elbi Zalita P, Andre Krismantoro .....	63
Energy Engineering, Chemical Engineering Department, State Polytechnic of Sriwijaya 63	
Jl. Srijaya Negara Bukit Besar Palembang 30139, Telp +62711353414 / fax +62711355918.....	63
EFFECT OF ADDING PALM OIL MILL EFFLUENT (POME) AND SLURRY ON BIOGAS FROM COW MANURE TO PRODUCED METHANE GAS .....	64
ID : 2723 .....	64
Muhammad Hanif Fatin <sup>1,*</sup> , A. Husaini <sup>2</sup> , Leila Kalsum <sup>3</sup> .....	64
<sup>1</sup> Applied Renewable Energy Engineering Study Program, Politeknik Negeri Sriwijaya, Jalan Srijaya Negara, Palembang, 30139 Indonesia.....	64
<sup>2</sup> Chemical Engineering Department, Politeknik Negeri Sriwijaya, Jalan Srijaya Negara, Palembang, 30139 Indonesia.....	64
<sup>3</sup> Renewable Energy Engineering Department, Politeknik Negeri Sriwijaya, Jalan Srijaya Negara, Palembang, 30139 Indonesia. ....	64
CHARACTERIZATION OF THERMAL ACTIVATED FLY ASH ADSORBENT BY STUDYING THE EFFECT OF TEMPERATURE .....	65

ID : 2796 .....	65
Aida Syarif <sup>1</sup> , Rusdianasari, M.Yerizam,Sayhirmanyusi, .....	65
<sup>1</sup> Jurusan Teknik Kimia Program Studi Magister Terapan Teknik Energi Baru Terbarukan .....	65
Politeknik Negeri Sriwijaya, Jalan Srijaya Negara Bukit Besar Palembang .....	65
DRYING RATE OF SKIM MILK FROM VIRGIN COCONUT OIL REMAINING WATER .....	66
ID : 2516 .....	66
A Hasan <sup>1</sup> , I Purnamasari <sup>1,2</sup> , M Yerizam <sup>1</sup> , A Hasan <sup>1</sup> and R Junaidi <sup>1</sup> .....	66
<sup>1</sup> Chemical Engineering Department, State Polytechnic of Sriwijaya, South Sumatera, Indonesia.....	66
TOFU INDUSTRIAL WASTEWATER TREATMENT BY ELECTROCOAGULATION METHOD .....	67
ID : 2656 .....	67
Ibnu Hajar <sup>1</sup> ,* Fadarina <sup>1</sup> , Mustain Zamhari <sup>1</sup> , Selastia Yuliaty <sup>1</sup> .....	67
<sup>3</sup> Chemical Engineering Department .....	67
BIOCELLULOSE MEMBRANE OF COCONUT WATER.....	68
ID : 2792 .....	68
Elina Margaretty <sup>1</sup> , Erwana Dewi <sup>2</sup> , Leila Kalsum <sup>3</sup> , Aisyah Suci Ningsih <sup>1</sup> .....	68
<sup>1</sup> ). Lecturer D3-Chemical Engineering Sriwijaya State Polytechnic, Palembang, Indonesia .....	68
<sup>2</sup> ).Lecturer D4- Industrial Chemical Technology, Sriwijaya State Polytechnic, Palembang, Indonesia.....	68
<sup>3</sup> ). Lecturer S2- Renewable Energy Engineering, Sriwijaya State Polytechnic, Palembang, Indonesia.....	68
SURFACTANT METHYL ESTER SULFONATE FROM CRUDE PALM OIL (CPO)- BASED METHYL ESTER.....	69
ID : 2794 .....	69
Jaksen <sup>1</sup> , Idha Silviyati <sup>1</sup> , Endang Supraptiah <sup>1</sup> , Rima Daniar <sup>2</sup> .....	69
<sup>1</sup> ).Lecturer of Chemical Engineering Department, Politeknik Negeri Sriwijaya, Palembang, Indonesia.....	69
<sup>2</sup> ).Lecturee of Energy Engineering Department, Politeknik Negeri Sriwijaya, Palembang, Indonesia.....	69
OIL PALM EMPTY BUNCHES AS AN ALTERNATIVE RAW MATERIAL FOR MAKING BIOPLASTICS .....	70
ID : 2250 .....	70
Husaini A <sup>1</sup> , Zaman M <sup>1</sup> , Chodijah S <sup>1</sup> , Hilwatullisan <sup>1</sup> , Ibrahim <sup>2</sup> .....	70
<sup>1</sup> Chemical engineering Department, Politeknik Negeri Sriwijaya, Jalan Srijaya Negara, Palembang, 30139 Indonesia.....	70
<sup>2</sup> Chemical engineering Study Program, Politeknik Negeri Sriwijaya, Jalan Srijaya Negara, Palembang, 30139 Indonesia.....	70
<i>Corresponding author E-mail address :husaini@polsri.ac.id</i> .....	70

THE EFFECT OF THE CATALYST (NaOH) ON THE PROCESSING OF WASTE USED OIL INTO LIQUID FUEL .....	71
ID : 2511 .....	71
Azharuddin <sup>1</sup> , Syafei <sup>1</sup> , Didi Suryana <sup>1</sup> , Indra HB <sup>1</sup> , M R Rahmaddy <sup>1</sup> .....	71
Y Pratomo <sup>1</sup> , M A Ariasya <sup>1</sup> .....	71
<sup>1</sup> ) Mechanical Engineering Department, State Polytechnic of Sriwijaya, Palembang, 30154, Indonesia.....	71
DESIGN AND PROTOTYPE OF PAVING BLOCK MAKING MACHINE .....	72
ID : 2766 .....	72
Ella Sundari <sup>1</sup> , Soegeng Witjahjo <sup>1</sup> , Eka Satria Martomi <sup>1</sup> , Dodi Tafrant <sup>1</sup> .....	72
Lecturer of Mechanical Engineering Departement, Sriwijaya State Polytechnic .....	72
*Jln. Srijayanegara Bukit Lama, Palembang.....	72
WATER QUALITY MONITORING SYSTEM IN GURAME FISH CULTIVATION BASED ON ESP32 .....	73
ID : 2094 .....	73
Sujito <sup>1</sup> , Mokh. Sholihul Hadi <sup>1</sup> ,I Made Wirawan <sup>1</sup> , Faiz Syaikhoni <sup>2</sup> , Abdullah Iskandar Syah <sup>2</sup> , .....	73
Danny Mayrawan <sup>2</sup> .....	73
<sup>1</sup> Dosen Jurusan Teknik Elektro, Fakultas Teknik, Universitas Negeri Malang .....	73
<sup>2</sup> Mahasiswa Jurusan Teknik Elektro, Fakultas Teknik, Universitas Negeri Malang.....	73
OPTIMIZATION OF STROKE REHABILITATION HAND COMPONENT OF 3D PRINTING WITH TAGUCHI METHOD APPROACH.....	74
ID : 2426 .....	74
Fatahul Arifin <sup>1</sup> , Fenoria Putri <sup>1</sup> , Iskandar <sup>1</sup> , Mulyadi <sup>1</sup> , Suparjo <sup>1</sup> , Franando <sup>1</sup> , Yusuf Dewantoro Herlambang <sup>2(*)</sup> .....	74
<sup>1</sup> Mechanical Engineering Department, Politeknik Negeri Sriwijaya, Palembang, 30154, Indonesia.....	74
<sup>2</sup> Mechanical Engineering Department, Politeknik Negeri Semarang, Semarang, 50275, Indonesia.....	74
EXPERIMENTAL RESEARCH OF THE INFLUENCE OF HOT MACHINING METHOD ON AISI 4340 LATHE MACHINE PROCESS TOWARDS SPECIFIC CUTTING ENERGY AND SURFACE ROUGHNESS.....	75
ID : 2457 .....	75
Ismail T <sup>1</sup> , Dyos S <sup>2</sup> , Joni Y <sup>3</sup> , Samuel S <sup>4</sup> ,Abdurahman W <sup>5</sup> , Aldi Y <sup>6</sup> .....	75
<sup>123456</sup> Mechanical Engineering, Engineering Faculty of Sriwijaya University,.....	75
Jln Raya Palembang - Inderalaya Km 32, Indonesia.....	75
STUDY OF CAPACITOR PLACEMENT TO IMPROVE THE VOLTAGE PROFILE IN CONTINGENCY CONDITIONS OF THE 150 KV MADURA ELECTRICITY POWER SYSTEM .....	76
ID : 2487 .....	76
Sujito <sup>1*</sup> , M. Z. Falah <sup>1</sup> , M. R. Faiz <sup>1</sup> .....	76

<sup>1</sup> Electrical Engineering Department, Universitas Negeri Malang, Indonesia .....	76
THE INVESTIGATION OF SEA SALT SOILING ON PV PANEL .....	77
ID : 2488 .....	77
Tresna Dewi <sup>1</sup> , Ahmad Taqwa <sup>2</sup> , Rusdianasari <sup>2</sup> , RD Kusumanto <sup>1</sup> , and Carlos Sitompul <sup>1</sup> ...	77
<sup>1</sup> Electrical Engineering Department, Politeknik Negeri Sriwijaya, Jalan Srijaya Negara, Palembang, 30139 Indonesia.....	77
<sup>2</sup> Renewable Energy Engineering Department, Politeknik Negeri Sriwijaya, Jalan .....	77
Srijaya Negara, Palembang, 30139 Indonesia.....	77
REAL-TIME WIRELESS CONCEPT OF VEHICLE TO VEHICLE CHARGING SYSTEM.....	78
ID: 2490 .....	78
Yurni Oktarina <sup>1</sup> , Tresna Dewi <sup>1</sup> , Pola Risma <sup>1</sup> , and Muhammad Nawawi <sup>1</sup> .....	78
<sup>1</sup> Electrical Engineering Department, Politeknik Negeri Sriwijaya, Jalan Srijaya Negara Palembang, Indonesia 30139.....	78
OPTIMIZATION OF FDM 3D PRINTING PROCESS PARAMETER FOR IMPROVING POROSITY ACCURACY OF PLA SCAFFOLD.....	79
ID : 2522 .....	79
Zainal Abidin <sup>1</sup> , M. Yanis <sup>1</sup> , M. Zahri Kadir <sup>1</sup> , Astuti <sup>1</sup> , Akbar Teguh Prakoso <sup>1</sup> , Edo Syahrizal <sup>1</sup> , Ardiyansyah Syahrom <sup>2,3</sup> , Hasan Basri <sup>1,*</sup> .....	79
Department of Mechanical Engineering, Faculty of Engineering, Universitas Sriwijaya, Indralaya 30662, Ogan Ilir, South Sumatera, Indonesia .....	79
Department of Applied Mechanics and Design, Faculty of Mechanical Engineering, Universiti Teknologi Malaysia, Skudai 81310, Johor, Malaysia .....	79
Medical Device and Technology Center (Meditec), Institute of Human-Centered and Engineering (IHCE), Universiti Teknologi Malaysia, Skudai 81310, Johor, Malaysia.....	79
FATIGUE PREDICTION OF POROUS MAGNESIUM BONE SCAFFOLD USING FINITE ELEMENT METHOD .....	80
ID: 2527 .....	80
Risky Utama Putra <sup>1</sup> , Akbar Teguh Prakoso <sup>1</sup> , Amir Putra Md Saad <sup>2,3</sup> , Ardiyansyah Syahrom <sup>2,3</sup> , Hasan Basri <sup>1,*</sup> .....	80
Mechanical Engineering Master Study Program, Faculty of Engineering, Universitas Sriwijaya, Indralaya 30662, Ogan Ilir, South Sumatera, Indonesia .....	80
Department of Applied Mechanics and Design, Faculty of Mechanical Engineering, Universiti Teknologi Malaysia, Skudai 81310, Johor, Malaysia .....	80
Medical Device and Technology Center (Meditec), Institute of Human-Centered and Engineering (IHCE), Universiti Teknologi Malaysia, Skudai 81310, Johor, Malaysia.....	80
THE GROUNDING SYSTEM IN FEEDER TOMAT PT. PLN (PERSERO) ULP MARIANA .....	81
ID : 2763 .....	81
Bambang Guntoro, Siswandi, Zainuddin Idris, M. Yunus .....	81
Email : bguntoro57@gmail.com .....	81
OPTIMIZATION OF PRODUCTION PROCESS PARAMETERS OF DLP TYPE 3D PRINTER DESIGN	

FOR PRODUCT ROUGHNESS VALUE.....	82
ID : 2510 .....	82
DP Putra <sup>1</sup> , Romli <sup>2</sup> , D Seprianto <sup>2</sup> , Hasan Basri <sup>1,*</sup> .....	82
<sup>1</sup> Mechanical Engineering Master Study Program, Universitas Sriwijaya .....	82
Jalan Srijaya Negara Bukit Besar Palembang, Sumatera Selatan, 30139, Indonesia .....	82
<sup>2</sup> Mechanical Engineering Department, Politeknik Negeri Sriwijaya.....	82
Jalan Srijaya Negara Bukit Besar Palembang, Sumatera Selatan, 30139, Indonesia .....	82
DESIGN OF ELECTRONIC INSTRUMENTS AS TOOLS AIR POLLUTION DETECTION.....	83
ID : 2592 .....	83
Ali Nurdin <sup>1</sup> ( <b>ali_viking_kps@yahoo.com</b> . aalinurdin67@gmail.com), Jon Endri, .....	83
Ibnu Ziad <sup>3</sup> , Ciksadan <sup>4</sup> .....	83
<sup>1,2,3,4</sup> Politeknik Negeri Sriwijaya.....	83
<i>Jl. Srijaya Negara Bukit Besar – Palembang</i> .....	83
Datalogger experimental analysis based on arduino mega 2560 on a 100 wp monocrystalline solar panel using perforated plate.....	84
ID : 2249 .....	84
W Adipradana <sup>1</sup> , A Sofijan <sup>2</sup> , Rahmawati <sup>3</sup> , I Bizzy <sup>4</sup> , R Sipahutar <sup>5</sup> , M A Fajri <sup>6</sup> .....	84
<sup>1,2,3,6</sup> Department of Electrical Engineering, Engineering Faculty, Sriwijaya University, Indonesia.....	84
<sup>4,5</sup> Department of Mechanical Engineering, Engineering Faculty, Sriwijaya University, Indonesia.....	84
A_sofijan@ft.unsri.ac.id.....	84
THE EFFECT OF INDUCTION HEATING ON TENSILE TEST SPECIMENS' CLAMPING PRODUCTS THROUGH THE MEDIUM CARBON STEEL MATERIALS' ENGINEERING TECHNIQUE .....	85
ID : 2722 .....	85
Romli <sup>1,*</sup> , M. Afif Rizkiawan <sup>1</sup> , Karmin <sup>1</sup> , Sairul Effendi <sup>1</sup> , Firdaus <sup>1</sup> .....	85
<sup>1</sup> Mechanical Engineering Department, State Polytechnic of Sriwijaya, Indonesia .....	85
DEVELOPMENT INTERNET OF THINGS FOR WATER QUALITY MONITORING SYSTEM FOR GOURAMY CULTIVATION.....	86
ID: 2484 .....	86
D Mayrawan <sup>2</sup> , Sujito <sup>1,2*</sup> , I M Wirawan <sup>2</sup> , F S Aziz <sup>1,2</sup> , A I Syah <sup>2</sup> , M A A Shidiqi <sup>2</sup> .....	86
<sup>1</sup> Electrical Engineering Postgraduate, Universitas Negeri Malang, Indonesia .....	86
<sup>2</sup> Electrical Engineering Department, Universitas Negeri Malang, Indonesia .....	86
CONTINGENCY ANALYSIS ON 150 KV ELECTRICITY POWER SYSTEM ON THE MADURA ISLAND BASED ON THE 1P1Q METHOD .....	87
ID : 2485 .....	87
M Z Falah <sup>1</sup> , Sujito <sup>1*</sup> , I M Wirawan <sup>1</sup> . .....	87
<sup>1</sup> Electrical Engineering Department, Universitas Negeri Malang, Indonesia .....	87
PROTOTYPE OF SMALL SAVONIUS WIND TURBINE .....	88

ID : 2797 .....	88
Ozkar F. Homzah <sup>1,*</sup> Tri Widagdo <sup>1</sup> Mardiana <sup>1</sup> Ibnu Asrofi <sup>1</sup> Destra A Pratama <sup>2</sup> .....	88
<sup>1</sup> Department of Mechanical Engineering, Politeknik Negeri Sriwijaya, Palembang, Indonesia.....	88
<sup>2</sup> Department of Electrical Engineering, Politeknik Negeri Sriwijaya, Palembang, Indonesia .....	88
THE FORMATION OF MACHINE COMPONENTS USING POWDER METALLURGY METHOD UTILIZING METAL POWDER FROM GRINDING PROCESS .....	89
ID : 2780 .....	89
Yahya, S.T.,M.T <sup>1</sup> , Muhammad Rasid, S.T.,M.T <sup>2</sup> ,.....	89
Dicky Seprianto, S.T.,M.T. <sup>3</sup> , Siproni, S.T.,M.T. <sup>4</sup> .....	89
<i>Departement of Mecahanical Engineering, Politeknik Of Sriwijaya, Palembang, Indonesia</i> .....	89
SIMULATION-BASED ANALYSIS ON VACUUM ACTUATED SOFT ROBOTIC GRIPPER: TRAJECTORY AND STRESS INTENSITY FACTOR .....	90
ID :2736 .....	90
Noer Fadzri Perdana Dinata <sup>1</sup> , Hasan Basri <sup>1,*</sup> .....	90
<sup>1</sup> Mechanical Engineering Master Study Program, Universitas Sriwijaya, Jalan Srijaya Negara Bukit Besar Palembang, Sumatera Selatan, 30139, Indonesia.....	90
*Corresponding author. Email: hasan_basri@unsri.ac.id .....	90
FAILURE ANALYSIS AND PERFORMANCE ASSESSMENT OF TUBULAR AIR HEATER AT PLTU SOUTH SUMATRA V .....	91
ID : 2731 .....	91
Lulu Khoirunnisa <sup>1</sup> , Hasan Basri <sup>2,*</sup> .....	91
<sup>1</sup> Mechanical Engineering Master Study Program, Universitas Sriwijaya.....	91
Jalan Srijaya Negara Bukit Besar Palembang, Sumatera Selatan, 30139, Indonesia .....	91
AUTOMATIC SIMULATION OF MOVING PRODUCTS USING LINE FOLLOWER AND CONVEYOR .....	92
ID : 2787 .....	92
Almadora Anwar Sani <sup>1,*</sup> Rachmat Dwi S <sup>2</sup> , Irawan Malik <sup>3</sup> , Ali Medi <sup>4</sup> , Agus Nugraha <sup>5</sup> .....	92
<sup>1</sup> mechanical engineering, Politeknik Negeri Sriwijaya, .....	92
<sup>2</sup> mechanical engineering, Politeknik Negeri Sriwijaya .....	92
<sup>3</sup> mechanical engineering, Politeknik Negeri Sriwijaya .....	92
<sup>4</sup> mechanical engineering, Politeknik Negeri Sriwijaya .....	92
<sup>5</sup> mechanical engineering, Politeknik Negeri Sriwijaya .....	92
MONITORING DEPTH OF DISCHARGE OF A VALVE REGULATED LEAD ACID BATTERY IN A STANDALONE PV SYSTEM.....	93
ID : 2751 .....	93
Mirdiansyah <sup>1,*</sup> Ahmad Taqwa <sup>2</sup> , Yohandri Bow <sup>3</sup> .....	93

<sup>1</sup> Applied Renewable Energy Engineering Study Program, Politeknik Negeri Sriwijaya, Jalan Srijaya Negara, Palembang, 30139 Indonesia.....	93
<sup>2</sup> Renewable Energy Engineering Department, Politeknik Negeri Sriwijaya, Jalan Srijaya Negara, Palembang, 30139 Indonesia .....	93
<sup>3</sup> Energy Engineering Department, Politeknik Negeri Sriwijaya, Jalan Srijaya Negara, Palembang, 30139 Indonesia.....	93
The Effect of Parameter Process 3D Printer Technology Digital Light Processing to Geometric of Shaft.....	94
ID : 2650 .....	94
A Zamheri <sup>1,*</sup> D Seprianto <sup>2</sup> , Carlos RS <sup>3</sup> , Indri A <sup>4</sup> , TC Persada <sup>5</sup> .....	94
<sup>1</sup> Mechanical Engineering Department, State Polytechnic of Sriwijaya, Indonesia .....	94
<sup>2</sup> Mechanical Engineering Department, State Polytechnic of Sriwijaya, Indonesia .....	94
<sup>3</sup> Electrical Engineering Department, State Polytechnic of Sriwijaya, Indonesia .....	94
<sup>4</sup> Informatics Management Department,, State Polytechnic of Sriwijaya, Indonesia.....	94
<sup>5</sup> Mechanical Engineering Department, State Polytechnic of Sriwijaya, Indonesia.....	94
BENDING TEST GALVALUM COLD FORMED STEEL BEAM WITH VARIATION MORTAR AND REINFORCEMENT BARS. ....	95
ID : 2073 .....	95
Fadhila Firdausa, Sri Rezki Artini, Ahmad Syapawi, Puryanto .....	95
Civil Engineering Polytechnic of Sriwijaya.....	95
INDEX OF RETAINED STRENGTH AND WEIGHT LOSS ON FLEXIBLE PAVEMENT AC-WC AND HRS-WC USING POLYMER PRODUCTS ETHYLENE VINYL ACETATE (EVA) AND STYRENE-BUTADIENE-STYRENE (SBS) .....	95
ID : 2089 .....	95
Pataras M <sup>1</sup> , Kadarsa E <sup>2</sup> , Permata D Y <sup>3</sup> , Khairunnisa S <sup>4</sup> , Akbar M A <sup>5</sup> , Pratama Y <sup>6</sup> .....	96
<sup>1</sup> Civil Engineering Department, Sriwijaya University, Raya Prabumulih Road, Indralaya, Sumatera Selatan .....	96
<sup>2</sup> Civil Engineering Department, Sriwijaya University, Raya Prabumulih Road, Indralaya, Sumatera Selatan .....	96
<sup>3</sup> Civil Engineering Department, Sriwijaya University, Raya Prabumulih Road, Indralaya, Sumatera Selatan .....	96
UTILIZATION OF RESIDUAL SAND MATERIALS FROM THE MINING OF KAOLIN AND TIN IN BANGKA ISLAND ON FLEXIBLE PAVEMENT STRUCTURE .....	97
ID : 2101 .....	97
Adhitya B B <sup>1</sup> , Pataras M <sup>2</sup> , Kurnia A Y <sup>3</sup> , Wiranda N <sup>4</sup> , Wulansari W <sup>5</sup> , Islami B M <sup>6</sup> .....	97
<sup>1</sup> Civil Engineering Department, Sriwijaya University, Indralaya, Sumatera Selatan .....	97
<sup>2</sup> Civil Engineering Department, Sriwijaya University, Indralaya, Sumatera Selatan .....	97
<sup>3</sup> Civil Engineering Department, Sriwijaya University, Indralaya, Sumatera Selatan .....	97
THE INFLUENCE OF ANADARA GRANOSA'S SHELL WASTE AS A SUBSTITUTE OF FINE AGGREGATE IN MIXED ASPHALT CONCRETE WEARING COURSE (AC-WC) .....	98



ID : 2218 .....	98
Ika Sulianti <sup>1</sup> , Ibrahim <sup>1</sup> , Indah Ayu Wiloka <sup>1</sup> , Reta Iftitah Sari <sup>1</sup> .....	98
1. State Polytechnic of Sriwijaya, Jl. Sriwijaya Negara Bukit Besar Palembang 30139, .....	98
South Sumatera – Indonesia.....	98
ANALYSIS OF THE IMPACT OF PALEMBANG- INDRALAYA (PALINDRA) TOLL ROAD TO PALEMBANG – INDRALAYA NATIONAL ROAD SERVICE LEVELS .....	99
ID : 2236 .....	99
S Nisumanti*, N Puspita, and S Mulyaningsih, .....	99
Civil Engineering Department, Universitas Indo Global Mandiri, Jalan Jend. Sudirman KM.4 No.629 Palembang, Indonesia .....	99
THE EFFECT OF FLY ASH AS A PART CEMENT INSTITUTION ON HIGH-QUALITY CONCRETE FC'35 .....	100
ID: 2402 .....	100
<b>Sazili Harnawansyah<sup>1</sup>, Herlinawati<sup>1(*)</sup>, Bastoni Hasasi<sup>1</sup>, Radius Pranoto<sup>1</sup> ....</b>	<b>100</b>
1 Civil Engineering Department, Sriwijaya State Polytechnic, Palembang, 30154, Indonesia .....	100
THE USE OF COLD-FORMED STEEL AS A SUBSTITUTE FOR REINFORCEMENT ON STRUCTURAL OF LIGHTWEIGHT CONCRETE BEAMS.....	101
ID : 2553 .....	101
Mahmuda <sup>1</sup> , Revias <sup>2</sup> , Siswa Indra <sup>3</sup> , Sumiati <sup>4</sup> .....	101
Civil Engineering Departement, State Polytechnic Sriwijaya, Sriwijaya Negara street, Bukit Besar Palembang, 30139, Indonesia.....	101
THE EFFECT OF AIR PRESSURE ON FOAMED MORTAR PRODUCTION.....	102
ID : 2724 .....	102
Ibrahim <sup>1</sup> , Amiruddin <sup>1</sup> , and Ika Sulianti <sup>1</sup> , and Agus Subrianto <sup>1</sup> .....	102
1. State Polytechnic of Sriwijaya, Jl. Sriwijaya Negara Bukit Besar Palembang 30139, ....	102
South Sumatera – Indonesia.....	102
THE CHARACTERISTICS OF FOLDING BICYCLE USERS AGAINST THE SELECTION OF TRANSPORTATION MODES IN PALEMBANG CITY.....	103
ID : 2767 .....	103
Efrilia Rahmadona <sup>1</sup> , Sudarmadji <sup>2</sup> , Norca Praditya <sup>3</sup> , M. Ade Surya Pratama <sup>4</sup> .....	103
<sup>1</sup> Politeknik Negeri Sriwijaya .....	103
<sup>2</sup> Politeknik Negeri Sriwijaya .....	103
<sup>3</sup> Politeknik Negeri Sriwijaya .....	103
<sup>4</sup> Politeknik Negeri Sriwijaya .....	103
EFFECT OF AMOUNT POTASSIUM HYDROXIDE, METHANOL, AND ELECTRICITY CURRENT ON THE PRODUCTION PROCESS OF METHYL ESTERS FROM USED FRYING OIL .....	104
ID : 2081 .....	104
Rosdiana Moeksin.....	104

Teknik Kimia, Universitas Sriwijaya Palembang-Indonesia. ....	104
OPTIMIZATION OF PUBLIC TRASPORT SERVICEBUS RAPID TRANSIT (BRT) TRANS MUSI IN THE CITY OFPALEMBANG .....	105
ID : 2611 .....	105
Moch.Absor,Yusri, A.Latif, A. Fuad Z.Muhammad Yusri R.Civil Engineering, Politeknik Negeri Sriwijaya, Palembang, Indonesia .....	105
absorputrasyam@gmail.com, yusribermawi18@gmail.com,Latiftamim56@yahoo.com,fuadzainin13@yahoo.com, muhammadyusririzki@gmail.com .....	105
LIFE CYCLE ASSESSMENT (LCA) IN PULP & PAPER MILLS: COMPARISON BETWEEN MFO WITH BIOMASS IN LIME KILN .....	106
ID : 2109 .....	106
Yonki Alexander Volta <sup>1</sup> , Rusdianasari <sup>2</sup> , Syahirman Yusi <sup>3</sup> .....	106
<sup>1</sup> Applied Renewable Energy Engineering Study Program, Politeknik Negeri Sriwijaya, Jalan Srijaya Negara, Palembang, 30139 Indonesia. ....	106
<sup>2</sup> Renewable Energy Engineering Department, Politeknik Negeri Sriwijaya, Jalan Srijaya Negara, Palembang, 30139 Indonesia. ....	106
<sup>3</sup> Business Administration Department, Politeknik Negeri Sriwijaya, Jalan Srijaya Negara, Palembang, 30139 Indonesia.....	106
EFFECT OF VARIATIONS CONCENTRATION AND PH OF LIQUID SMOKE IN THE IMMERSION WITH VARIOUS TYPES OF FISH .....	107
ID : 2120 .....	107
by .....	107
Farida Ali, Corresponding author, Lecturer, Faculty of Chemical Engineering, Universitas Sriwijaya.....	107
Lia Cundari, Lecturer, Faculty of Chemical Engineering, Universitas Sriwijaya.....	107
Siti Miskah, Lecturer, Faculty of Chemical Engineering, Universitas Sriwijaya.....	107
Hendri Prasetyo, Student, Faculty of Chemical Engineering, Universitas Sriwijaya.....	107
COMPARISON OF THE USE OF FLY ASH AND RICE HUSK ASH IN THE MAKING OF GEOPOLYMER CONCRETE.....	108
ID : 2154 .....	108
Indrayani <sup>1*</sup> , Andi Herius <sup>1</sup> , Akhmad Mirza <sup>1</sup> , Ricky Ravsyah Alhafez <sup>1</sup> .....	108
<sup>1</sup> Civil Engineering Department, Politeknik Negeri Sriwijaya, Palembang, Indonesia ....	108
FLEXURAL STRENGTH ANALYSIS OF CONCRETE WITH THE ADDITION OF B3 WASTE AS AN ADDITIVE TO ORDINARY PORTLAND CEMENT (OPC).....	109
ID :2235 .....	109
N Puspita*, Y Arti and Febriyandi .....	109
Civil Engineering Department, Universitas Indo Global Mandiri, Jalan Jend. Sudirman KM.4 No.629 Palembang, Indonesia .....	109
SIMULATION OF SILAGE PRODUCTION FROM WATER HYACINTH ( <i>EICHORNIA CRASSIPES</i> )	

AS RUMINANTS FEED BASED ON THE INCREASE OF <i>ASPERGILLUS NIGER</i> .....	110
ID : 2811 .....	110
Agung Budi Santoso <sup>1,*</sup> Martha Aznury <sup>2</sup> Nova Rachmadona <sup>3</sup> Robert Junaidi <sup>2</sup> Fertarina Pratiwi <sup>2</sup> .....	110
<sup>1</sup> Department of Biotechnology, Faculty of Agroindustry, Kasetsart University, Bangkok, Thailand .....	110
<sup>2</sup> Department of Chemical Engineering, Politeknik Negeri Sriwijaya, Palembang, Indonesia .....	110
<sup>3</sup> Department of Chemical Science and Engineering, Graduate School of Engineering, Kobe University, Japan .....	110
THE PLACEMENT POSITION OF HOLLOW CORES IN THE IDEAL LONGITUDINAL DIRECTION ON THE REINFOCED CONCRETE BEAM .....	111
ID : 2645 .....	111
Sumiati <sup>1</sup> , Mahmuda <sup>2</sup> , Ahmad Syapawi <sup>3</sup> .....	111
Civil Engineering Departement, State Polytechnic Sriwijaya, Srijaya Negara street, Bukit Besar Palembang, 30139, Indonesia.....	111
PRODUCTION OF BIODIESEL FROM UNREFINED PLANTS-DERIVED OIL BY IMMOBILIZED <i>ASPERGILLUS ORYZAE</i> EXPRESSING <i>BACILLUS THERMOCATENULATUS</i> LIPASE.....	112
ID : 2741 .....	112
Nova Rachmadona <sup>1,*</sup> Martha Aznury <sup>2</sup> Chiaki Ogino <sup>1</sup> .....	112
<sup>1</sup> Department of Chemical Science and Engineering, Graduate School of Engineering, Kobe University, 1-1 Rokkodai-cho, Nada-ku, Kobe 657-8501, Japan .....	112
<sup>2</sup> Department of Chemical Engineering, State Polytechnic of Sriwijaya, Jl. Srijaya Negara Bukit Besar, Palembang, South Sumatera 30139, Indonesia .....	112
PARTIAL SUBSTITUTION OF CEMENT USING FLY ASH AND CARBITE WASTE IN THE MAKING OF NORMAL CONCRETE .....	113
ID : 2571 .....	113
(Darma Prabudi, Kosim, Zainuddin, Raja Marpaung) Sriwijaya State Polytechnic .....	113
email:                      darma_prabudi@yahoo.com,                      kosimmt@gmail.com,                      zainuddin_muchtar@yahoo.co.id, raja.marpaung@gmail.com.....	113
COMMUNITY ADAPTATION TO TRADITIONAL MARKETS DURING THE PANDEMIC PERIOD IN PALEMBANG CITY .....	114
ID : 2660 .....	114
Hendi Warlika Sedo Putra <sup>1</sup> , Maya Fitri Oktarini <sup>2</sup> , dan Primadella <sup>3</sup> .....	114
<sup>1</sup> Department of Civil Engineering, Politeknik Negeri Sriwijaya, Indonesia .....	114
<sup>2</sup> Department of Architecture, Engineering Faculty, Universitas Sriwijaya, Indonesia .	114
<sup>3</sup> Department of Architecture, Engineering Faculty, Universitas Sriwijaya, Indonesia .	114
EFFECT OF FERMENTATION TIME AND PERCENTAGE OF MORINGA ( <i>MORINGA OLEIFERA</i> ) FLOUR VARIATIONS ON VITAMIN C OF YOGURT .....	115
ID : 2809 .....	115

*Martha Aznury <sup>1</sup> Elina Margerty <sup>1</sup> Melianti <sup>1</sup> Sofiah <sup>1</sup> Yuniar <sup>1</sup> Sufi Awwaliyah <sup>1</sup> .....	115
1Department of Chemical Engineering, Politeknik Negeri Sriwijaya, Palembang, Indonesia .....	115
ROAD DAMAGE CONDITIONS ANALYSIS OF TANJUNG API-API - GASING DISTRICT ROAD BASED ON SURFACE DISTRESS INDEX (SDI) METHOD.....	116
ID : 2744 .....	116
R. Marpen <sup>1</sup> , A. Hasan <sup>2</sup> , AN. Sari <sup>3</sup> , HWS. Putra <sup>4</sup> , R. Pranoto <sup>5</sup> .....	116
<sup>12345</sup> Jurusan Teknik Sipil, Politeknik Negeri Sriwijaya, Palembang Jl. Srijaya Negara Bukit Besar, Palembang, Sumatera Selatan 30139 .....	116
DATA MODEL PATTERN FOR DATA WAREHOUSE WEB APPLICATION OF INFORMATION PORTAL (Case study : Hidayatullah Integrated Islamic Boarding School, Banyuasin Regency) .....	117
ID : 2550 .....	117
M Aris Ganiardi <sup>1</sup> ,Nita Novita <sup>2</sup> , Indri Ariyanti <sup>3</sup> , Delta Khairunnisa <sup>4</sup> .....	117
Informatics Management Department, Politeknik Negeri Sriwijaya, Srijaya Negara Street, Palembang, 30139, Indonesia.....	117
INVENTORY CONTROL AND EOQ FORECASTING TOOLS AS EFFECTIVE DECISION-MAKING MODEL.....	118
ID : 2577 .....	118
Ahmad Rifai <sup>1</sup> , Dedy Kurniawan <sup>2*</sup> , Ariansyah Saputra <sup>3</sup> , .....	118
Dinna Yunika Hardiyanti <sup>4</sup> .....	118
1-4 Faculty of Computer Science, Universitas Sriwijaya, Indonesia .....	118
2*Advanced Programming Laboratory, Faculty of Computer Science, Universitas Sriwijaya, Indonesia.....	118
3 Department of Computer Engineering, Politeknik Negeri Sriwijaya, Indonesia .....	118
INCREASING SENSITIVITY OF PH DETECTION USING COMPUTER VISION BASED BIOSENSORS.....	119
ID : 2096 .....	119
Faiz Syaikhoni Aziz <sup>1,2</sup> , Sujito <sup>1,2</sup> , Aji Prasetya Wibawa <sup>1,2</sup> , I Made Wirawan <sup>2</sup> , Ari Priharta <sup>1,2</sup> , Abdullah Iskandar Syah <sup>2</sup> , Tran Huu Duy <sup>3</sup> .....	119
<sup>1</sup> Electrical Engineering Postgraduate, Universitas Negeri Malang .....	119
<sup>2</sup> Electrical Engineering Department, Universitas Negeri Malang .....	119
<sup>3</sup> Electrical Engineering Department, Dalat University .....	119
ADAPTIVE FUZZY TIME SERIES METHOD TO FORECASTING ENROLLMENTS OF NEW STUDENT (CASE STUDY : DEPARTMENT OF COMPUTER ENGINEERING, STATE POLYTECHNIC OF SRIWIJAYA).....	120
ID : 2603 .....	120
Ica Admirani <sup>1</sup> , Ikhthison Mekongga <sup>2</sup> , Isnaini Azro <sup>3</sup> , Hidayati Ami <sup>4</sup> , Rian Rahmanda Putra <sup>5</sup> .....	120
1Department of Computer Engineering, State Polytechnic of Sriwijaya, JL.Srijaya Negara Bukit Besar, Palembang,30139, Indonesia. ....	120

2Department of Computer Engineering, State Polytechnic of Sriwijaya, JL.Srijaya Negara Bukit Besar, Palembang,30139, Indonesia. ....	120
3Department of Computer Engineering, State Polytechnic of Sriwijaya, JL.Srijaya Negara Bukit Besar, Palembang,30139, Indonesia. ....	120
4Department of Computer Engineering, State Polytechnic of Sriwijaya, JL.Srijaya Negara Bukit Besar, Palembang,30139, Indonesia. ....	120
5Department of Computer Engineering, State Polytechnic of Sriwijaya, JL.Srijaya Negara Bukit Besar, Palembang,30139, Indonesia ....	120
ROOM SAFETY SYSTEM USING FACE RECOGNITION USING TELEGRAM AND RASPBERRY PI BASED HISTOGRAM OF ORIENTED METHOD.....	121
ID : 2613 .....	121
Azwardi, Yulian Mirza, Alan Novi Tomponu, Ariansyah Saputra .....	121
Program Studi Teknik Komputer, Politeknik Negeri Sriwijaya .....	121
Jl. Srijaya Negara Bukit Besar- Palembang 30139 .....	121
Telp. 0711-353414, Fax. 0711- 355918 .....	121
TELEMETRY DESIGN ACCURATION OF PATIENT’S TEMPERATURE WITH IOT APPROACH. 122	
ID : 2618 .....	122
Ahyar Supani <sup>1,*</sup> , Ahmad Bahri Joni Malyan <sup>1</sup> , Herlambang Saputra <sup>1</sup> , Indarto <sup>1</sup> , Yuli Andriani <sup>2</sup> .....	122
<sup>1</sup> <i>Department of Computer Engineering, Polytechnic State of Sriwijaya, Palembang, Indonesia.....</i>	122
<sup>2</sup> <i>Department of Mathematics, Sriwijaya University, Palembang, Indonesia.....</i>	122
Image processing system for pH classification using biosensors .....	123
ID : 2097 .....	123
Sujito <sup>1,2*</sup> , A P Wibawa <sup>1,2</sup> , I M Wirawan <sup>2</sup> , Aripriharta <sup>1,2</sup> , F S Aziz <sup>1</sup> , A I Syah <sup>2</sup> , T H Duy <sup>3</sup> .....	123
<sup>1</sup> Electrical Engineering Postgraduate, Universitas Negeri Malang, Indonesia .....	123
<sup>2</sup> Electrical Engineering Department, Universitas Negeri Malang, Indonesia .....	123
<sup>3</sup> Electrical Engineering Department, Dalat University, Vietnam .....	123
QUALITY MEASUREMENT EVALUATION OF THE POLSRI LEARNING MANAGEMENT SYSTEM WEBSITE USING IMPORTANCE PERFORMANCE ANALYSIS (IPA) METHOD .....	124
ID : 2274 .....	124
Irma Salamah <sup>1</sup> , Lindawati <sup>2</sup> , Asriyadi <sup>3</sup> , M.Fadhli <sup>4</sup> .....	124
<sup>1,2,3,4</sup> Telecommunication Program Studi State Polytechnic of Sriwijaya.....	124
RESTFUL WEB SERVICE AS DATA GENERATOR FOR REPORTING OF ACADEMIC INFORMATION SYSTEM.....	125
ID : 2620 .....	125
M. Miftakul Amin <sup>*1</sup> , Slamet Widodo <sup>2</sup> , Adi Sutrisman <sup>3</sup> , Ervi Cofriyanti <sup>4</sup> , Ali Firdaus <sup>5</sup> 125	
<sup>1,2,3,4,5</sup> Department of Computer Engineering, Politeknik Negeri Sriwijaya, Jl. Srijaya Negara Bukit Besar, Palembang, 30139, Indonesia .....	125

DESIGN AND IMPLEMENTATION OF LEARNING E-SCHEDULING IN SRIWIJAYA STATE POLYTECHNIC - TELECOMMUNICATION ENGINEERING STUDY PROGRAM.....	126
ID : 2666 .....	126
Abdul Rakhman <sup>1</sup> , Irawan Hadi <sup>2</sup> , Nasron <sup>3</sup> , Martinus Mujur Rose <sup>4</sup> .....	126
<sup>1,2,3,4</sup> Politeknik Negeri Sriwijaya .....	126
Jl. Sriwijaya Negara Bukit Besar – Palembang .....	126
PHP PROGRAMMING FOR ACHIEVING STUDENTS IN INFORMATICS MANAGEMENT DEPARTMENT STATE OF POLYTECHNIC SRIWIJAYA.....	127
ID : 2702 .....	127
Yusniarti <sup>1</sup> .....	127
Henny Madora <sup>2</sup> .....	127
Ida Wahyuningrum <sup>3</sup> .....	127
Muhammad Noval <sup>4</sup> .....	127
<sup>1234</sup> .Jurusan Manajemen Informatika Politeknik Negeri Sriwijaya.....	127
MEDICAL SERVICES APPLICATION OF LECTURERS, STAFF AND STUDENTS IN THE SRIWIJAYA STATE POLYTECHNIC POLYCLINIC .....	128
ID : 2704 .....	128
Robinson <sup>1</sup> , Deri Darfin <sup>2</sup> , Zulkarnaini <sup>3</sup> , Ridwan Effendi <sup>4</sup> , .....	128
<sup>1</sup> Polsri Jl. Sriwijaya Negara Bukit Besar Palembang Sumatera Selatan .....	128
<sup>2</sup> Polsri Jl. Sriwijaya Negara Bukit Besar Palembang Sumatera Selatan .....	128
<sup>3</sup> Polsri Jl. Sriwijaya Negara Bukit Besar Palembang Sumatera Selatan .....	128
<sup>4</sup> Polsri Jl. Sriwijaya Negara Bukit Besar Palembang Sumatera Selatan.....	128
PROTOTYPE DEVELOPMENT OF MOTORBIKE TOWING HOOK TOWARD AUTHORIZED MECHANIC PERCEPTION AND INVESTIGATION .....	129
ID : 2768 .....	129
Rahman Hakim <sup>1</sup> , Muhammad Hasan Albana <sup>1</sup> , Widodo <sup>1</sup> , Hanifah Widiastuti <sup>1</sup> and Wahyu Caesarendra <sup>2*</sup> .....	129
<sup>1</sup> Department of Mechanical Engineering, Politeknik Negeri Batam, Jl. A. Yani, Batam Center, Kota Batam 29461, Indonesia .....	129
<sup>2</sup> Faculty of Integrated Technologies, Universiti Brunei Darussalam, Jalan Tungku Link, Gadong BE1410, Brunei Darussalam.....	129
INVESTIGATION STUDY OF PRESSURE DIFFERENT EFFECT AT EVAPORATOR IN ORGANIC RANKINE CYCLE SIMULATOR (ORCS) USING LOW-GRADE WASTE HEAT .....	130
ID : 2770 .....	130
Mochamad Denny Surindra <sup>1</sup> , Wahyu Caesarendra <sup>2*</sup> .....	130
<sup>1</sup> Mechanical Engineering, Politeknik Negeri Semarang, Semarang 50275, Indonesia; Email: dennysurindra@polines.ac.id .....	130
<sup>2</sup> Faculty of Integrated Technologies, Universiti Brunei Darussalam, Jalan Tungku Link, Gadong BE1410, Brunei Darussalam.....	130
APPLICATION OF TRACKING LETTER DISPOSITION AT STATE POLYTECHNIC OF SRIWIJAYA	

BASED ON ANDROID WEBVIEW .....	131
ID : 2644 .....	131
Satriadi, Indra <sup>1,*</sup> Oktapriandi, Sony., Meileni, Hetty., Aprianty, Desy.....	131
<sup>1</sup> State Polytechnic of Sriwijaya .....	131
THE SHORTEST PATH SEARCH APPLICATION FOR BASE TRANSCIEVER STATION (BTS) USING A* ALGORITHM .....	132
ID : 1994 .....	132
Ikhthison Mekongga <sup>1</sup> , Aryanti Aryanti <sup>2,3</sup> .....	132
<sup>1</sup> Computer Engineering, Politeknik Negeri Sriwijaya, Palembang, Indonesia .....	132
<sup>2</sup> Electrical Engineering, Politeknik Negeri Sriwijaya, Palembang, Indonesia.....	132
<sup>3</sup> Electrical Engineering, Southern Taiwan University of science and Technology, Tainan, Taiwan .....	132
COMPATIBILITY OF LINUX ARCHITECTURE FOR DISKLESS TECHNOLOGY SYSTEM.....	133
ID : 2615 .....	133
Aryanti Aryanti <sup>1,2*</sup> , Ade Silvia Handayani <sup>2</sup> , Ibnu ziad <sup>2</sup> , Ikhthison Mekongga <sup>3</sup> , Farid Jatri Abiyyu <sup>2</sup> .....	133
<sup>1</sup> Electrical Engineering, Southern Taiwan University of science and Technology, Tainan, Taiwan .....	133
<sup>2</sup> Electrical Engineering, Politeknik Negeri Sriwijaya, Palembang, Indonesia.....	133
<sup>3</sup> Computer Engineering, Politeknik Negeri Sriwijaya, Palembang, Indonesia .....	133
RESERVOIR IRRIGATION SYSTEM DESIGN BASED WIRELESS SENSOR NETWORK .....	134
ID : 2636 .....	134
M. Zakuan Agung <sup>1</sup> ), Eka Susanti <sup>2</sup> ), R.A Halimatussa'diyah <sup>3</sup> ), Susanzefi <sup>4</sup> ), Amirah Fakhirah <sup>5</sup> ) .....	134
<sup>1,2,3,4,5</sup> Department of Polytechnic Sriwijaya, Jalan Srijaya Negera, Bukit Besar, Palembang - Indonesia .....	134
USING NIGHT VISION CAMERA ROBOT BASED ON INTERNET OF THING .....	135
ID : 2817 .....	135
Sarjana <sup>1</sup> ), Adewasti <sup>2</sup> ), Sholihin <sup>3</sup> ), Emilia Hesti <sup>4</sup> ), Amirah Fakhirah <sup>5</sup> ) .....	135
<sup>1</sup> Department of Polytechnic Sriwijaya, Jalan Srijaya Negera, Bukit Besar, Palembang - Indonesia.....	135
<sup>2</sup> Department of Polytechnic Sriwijaya, Jalan Srijaya Negera, Bukit Besar, Palembang - Indonesia.....	135
<sup>3</sup> Department of Polytechnic Sriwijaya, Jalan Srijaya Negera, Bukit Besar, Palembang - Indonesia.....	135
<sup>4</sup> Department of Polytechnic Sriwijaya, Jalan Srijaya Negera, Bukit Besar, Palembang - Indonesia.....	135
<sup>5</sup> Department of Polytechnic Sriwijaya, Jalan Srijaya Negera, Bukit Besar, Palembang - Indonesia.....	135
Biometric Fingerprint Implementation for Presence Checking and Room Access Control System	

.....	136
ID : 2726 .....	136
Yudi Wijanarko <sup>1</sup> , Selamat Muslimin <sup>2</sup> , *Renny Maulidda <sup>3</sup> , .....	136
Yordan Hasan <sup>4</sup> , Abdurrahman <sup>5</sup> .....	136
<sup>1</sup> Politeknik Negeri Sriwijaya.....	136
<sup>2</sup> Politeknik Negeri Sriwijaya .....	136
<sup>3</sup> Politeknik Negeri Sriwijaya.....	136
<sup>4</sup> Politeknik Negeri Sriwijaya .....	136
Prototype Design of Landslide Early Detection System Using LoRa and IoT .....	137
ID : 2663 .....	137
Ahmad Taqwa <sup>1</sup> , Mohammad Fadhli <sup>2</sup> , Sopian Soim <sup>3</sup> , Ade Silvia <sup>4</sup> , Suroso Suroso <sup>5</sup> .....	137
<sup>1,2,3,4,5</sup> Politeknik Negeri Sriwijaya .....	137
IMPLEMENTATION OF USTADZ SEARCH SOFTWARE FOR MUBALIGH, QORI AND QORIAH CATEGORIES IN PALEMBANG USING AN ANDROID-BASED USABILITY APPROACH.....	138
ID : 2078 .....	138
M. Rudi Sanjaya <sup>1</sup> , Yadi Utama <sup>2</sup> , Dedy Kurniawan <sup>3</sup> , Ariansyah Saputra <sup>4</sup> , Novita Sari <sup>5</sup> , Rahma Destriani <sup>6</sup> , Muhammad Raihan Udda Rahmany <sup>7</sup> .....	138
<sup>1</sup> Internet Programming Laboratory Department of Computer Engineering, Faculty of Computer Science, Universitas Sriwijaya, Indonesia .....	138
<sup>2</sup> Department of Computer Engineering, Faculty of Computer Science, Universitas Sriwijaya, Indonesia.....	138
<sup>3</sup> Department of Computer Engineering, Faculty of Computer Science, Universitas Sriwijaya, Indonesia.....	138
<sup>4</sup> Department of Computer Engineering, Politeknik Negeri Sriwijaya, Indonesia .....	138
<sup>5,6,7</sup> Student Department of Computer Engineering, Faculty of Computer Science, Universitas Sriwijaya, Indonesia.....	138
APPLICATION OF CAMPUS PARKING AREA FOR STATE POLYTECHNIC OF SRIWIJAYA BASED ON SMARTPHONE .....	139
ID: 2619 .....	139
Leni Novianti <sup>1</sup> , Devi Sartika <sup>2</sup> , Dewi Irmawati <sup>3</sup> , Ienda Meiriska <sup>4</sup> .....	139
<sup>1,2,3,4</sup> Study Program of Informatics Management, State Polytechnic of Sriwijaya .....	139
ANDROID-BASE m-VOTING APPLICATION DEVELOPMENT WITH SIMPLE ADDITIVE WEIGHTING METHOD .....	140
ID : 2669.....	140
Devi Sartika <sup>1</sup> , Leni Novianti <sup>2</sup> , Dewi Irmawati <sup>3</sup> , Ienda Meiriska <sup>4</sup> .....	140
<sup>1,2,3,4</sup> Study Program of Informatics Management,State Polytechnic of Sriwijaya.....	140
DESIGN WEB BASED ONLINE TUTORING APPLICATION IN PALEMBANG CITY USING THE SUS (SYSTEM USABILITY SCALE) METHOD.....	141
ID : 2098 .....	141



M. Rudi Sanjaya <sup>1</sup> , Ariansyah Saputra <sup>2</sup> , 3Bayu Wijaya Putra, Novita Sari <sup>4</sup> , Rahma Destriani <sup>5</sup> , Muhammad Raihan Udda Rahmany <sup>6</sup> .....	141
1,3 Program in Informatics Management of Computer Engineering, Faculty of Computer Science, Universitas Sriwijaya, Indonesia .....	141
2 Department of Computer Engineering, Politeknik Negeri Sriwijaya, Indonesia .....	141
3,4,5 Student Department of Computer Engineering, Faculty of Computer Science, Universitas Sriwijaya, Indonesia.....	141
BLACK BOX TESTING USING EQUIVALENCE PARTITION METHOD IN SINTANA APPLICATION .....	142
ID : 2225 .....	142
Yayuk Ike Melani <sup>1</sup> and Mahmud <sup>2</sup> .....	142
<sup>1</sup> S1 Information System, STMIK PalComTech, Palembang .....	142
<sup>2</sup> S1 Informatic, STMIK PalComTech, Palembang.....	142
THE DESIGN OF A TOOL TO MEASURE THE EFFECTIVENESS AND EFFICIENCY OF USERS TOWARDS THE APPLICATION OF POLISIKU APPLICATION.....	143
ID : 2366 .....	143
<sup>1</sup> Eko Setiawan and <sup>2</sup> Wiza Yunifa.....	143
<sup>1,2</sup> Information Systems Study Program, Politeknik PalComTech Palembang.....	143
DATABASE DESIGN FOR CHILD SPECIAL DEVELOPMENT INSTITUTION'S SERVICE PERFORMANCE E-DASHBOARD (CASE STUDY: PALEMBANG CHILD SPECIAL DEVELOPMENT INSTITUTION).....	144
ID : 2432 .....	144
Hendra Hadiwijaya <sup>1</sup> , Febrianty <sup>2</sup> , Rezania Agramanisti Azdy <sup>3*</sup> .....	144
<sup>1, 2</sup> Accounting Study Program, Palembang Palcomtech Polytechnic, Indonesia .....	144
<sup>3*</sup> Informatics Study Program, STMIK PalComTech, Indonesia .....	144
EXTENDING THE UNDERSTANDING OF BUSINESS INTELLIGENCE AND ITS APPLICATION IN STARTUPS.....	145
ID : 2440 .....	145
Dedy Kurniawan <sup>1</sup> , Ariansyah Saputra <sup>2</sup> , M. Rudi Sanjaya <sup>3</sup> , Zaqqi Yamani <sup>4</sup> .....	145
<sup>1</sup> Advanced Programming Laboratory, Faculty of Computer Science, Universitas Sriwijaya, Indonesia.....	145
<sup>2</sup> Department of Computer Engineering, Politeknik Negeri Sriwijaya, Indonesia .....	145
<sup>3</sup> Internet Programming Laboratory, Faculty of Computer Science, Universitas Sriwijaya, Indonesia.....	145
<sup>4-5</sup> Faculty of Computer Science, Universitas Sriwijaya, Indonesia.....	145
THE APPLICATION OF DIGITAL MARKETING FOR UKM IN FACING THE COVID-19 PANDEMIC .....	146
ID : 2472 .....	146
Hetty Meileni <sup>1</sup> , Sony Oktapriandi <sup>2</sup> , Desi Apriyanti <sup>3</sup> .....	146
<sup>1-3</sup> Informatic Management Department, Politeknik Negeri Sriwijaya .....	146

DESIGNING STUDENT AND LECTURER ATTENDANCE SYSTEM APPLICATION USING PROGRESSIVE WEB APPS (PWA) .....	147
ID : 2586 .....	147
Hartati Deviana <sup>1</sup> .....	147
<sup>1</sup> Department of Computer Engineering, Politeknik Sriwijaya,Jl. Srijaya Negara Bukit Besar,Palembang,30139, Indonesia.....	147
DESIGNING AUGMENTED REALITY-BASED COMPUTER DEVICES LEARNING MEDIA ON ANDROID PLATFORM .....	148
ID : 2760 .....	148
Dony Novaliendry <sup>1,2</sup> , Arif Subagia <sup>1</sup> , Titi Sriwahyuni <sup>1</sup> , Fegie Y Wattimena <sup>3</sup> , Axelon S Renyaan <sup>3</sup> , Ceng-Hong Yang <sup>2</sup> , Muhammad Ariyon <sup>4</sup> .....	148
<sup>1</sup> Departement of Electronics Engineering, Faculty of Engineering, Universitas Negeri Padang, Padang, Indonesia .....	148
<sup>2</sup> Departement of Electronics Engineering, National Kaohsiung University of Science and Technology, Kaohsiung, Taiwan.....	148
<sup>3</sup> Fakultas Sains & Teknologi, Universitas Ottow Geissler Papua, Indonesia .....	148
<sup>4</sup> Teknik Perminyakan, Universitas Islam Riau, Pekanbaru, Indonesia .....	148
PUBLIC SERVICE ANNOUNCEMENT IMPLEMENTATION OF LEARNING AT THE SRIWIJAYA STATE POLYTECHNIC IN MINIMIZING THE RISKS AND IMPACTS CAUSED BY THE COVID-19 PANDEMIC.....	149
ID : 2706 .....	149
Alan Novi Tompunu <sup>1</sup> , Nelly Masnila <sup>2</sup> , Zakaria <sup>3</sup> , Azwardi <sup>1</sup> and Ainun Nabila <sup>1</sup> .....	149
<sup>1</sup> Computer Engineering Department, State Polytechnic of Sriwijaya, Indonesia.....	149
<sup>2</sup> Accounting <i>Department</i> , State Polytechnic of Sriwijaya, Indonesia.....	149
<sup>3</sup> <i>English Department</i> , State Polytechnic of Sriwijaya, Indonesia.....	149
PRINCIPAL COMPONENT ANALYSIS METHOD FOR IMAGE SEGMENTATION OF SMART METER DIGITAL.....	150
ID : 2087 .....	150
Husnawati <sup>1</sup> , Shinta Puspasari <sup>2</sup> , Rian Rahmanda Putra <sup>3</sup> .....	150
<sup>1,2</sup> Department of computer science, Indo Global Mandiri University, Palembang, .....	150
Indonesia.....	150
<sup>3</sup> Department of computer science, Politeknik Negeri Sriwijaya, Palembang, .....	150
Indonesia.....	150
DESIGN OF SOLAR POWERED VACCINE BACKPACK .....	151
ID : 2838 .....	151
Muhammad Haikal Satria <sup>1,*</sup> , Ariep Jaenul <sup>1</sup> Adhes Gamayel <sup>1</sup> .....	151
<sup>1</sup> Dept. of Electrical Engineering, Faculty of Engineering and Computer Science, Jakarta Global University .....	151
TRAINER MODULE DESIGN OF ITEM SORTING EQUIPMENT BASED ON HEIGHT AND PLC-BASED TRAFFIC LIGHT PROTOTYPE IN THE SYSTEM LABORATORY.....	152

ID : 2798 .....	152
Evelina <sup>1</sup> , Amperawan <sup>2</sup> , Dewi Permata Sari <sup>3</sup> , Sabilal Rasyad <sup>4</sup> .....	152
<sup>1</sup> Electrical Engineering, Department of Electrical Engineering .....	152
<sup>2</sup> Electrical Engineering, Politeknik Negeri Sriwijaya .....	152
PROTOTYPE DEVELOPMENT OF HEARTBEAT AND BODY TEMPERATURE MONITORING SYSTEM BASED ON INTERNET OF THINGS .....	153
ID : 2599 .....	153
Ade Silvia Handayani <sup>1)</sup> , Ahmad Taqwa <sup>2)</sup> , Arsyil Shiddik <sup>3)</sup> Nyayu Latifah Husni <sup>4)</sup> .....	153
<sup>1)-3)</sup> Telecommunication Engineering, Politeknik Negeri Sriwijaya .....	153
<sup>4)</sup> Elektronics Engineering, Politeknik Negeri Sriwijaya .....	153
IMPLEMENTATION OF FUZZY LOGIC TYPE-2 ON MOBILE ROBOT NAVIGATION SYSTEM .	154
ID : 2661 .....	154
Ade Silvia Handayani <sup>1</sup> , Jefri Alkausar <sup>1</sup> , Sarjana <sup>1</sup> , Nyayu Latifah Husni <sup>1</sup> , Siti Nurmaini <sup>2</sup> , Irsyadi Yani <sup>3</sup> .....	154
<sup>1</sup> Electrical Department, Politeknik Sriwijaya, <sup>2</sup> Intelligent System Research Group, Faculty of Computer Science, Universitas Sriwijaya, <sup>3</sup> Mechanical Engineering Department, Faculty of Engineering, Universitas Sriwijaya .....	154
WIRELESS DETECTOR FOR LUNG SOUND DISORDER BASED ON DSP TMS320C6416 MODULE .....	155
ID : 2805 .....	155
Nyayu Latifah Husni <sup>1</sup> , Arganda Meranda <sup>2</sup> , Destra Andika Pratama <sup>3</sup> , Ekawati Prihatini <sup>4</sup> , Selamat Muslimin <sup>5</sup> , Ade Silvia Handayani <sup>6</sup> .....	155
<sup>1-6</sup> Electrical Engineering, State Polytechnic of Sriwijaya .....	155
NEW NAVIGATION STRATEGY FOR G-BOT .....	156
ID : 2806 .....	156
Nyayu Latifah Husni <sup>1</sup> , Qodry Maulana <sup>2</sup> , Ekawati Prihatini <sup>3</sup> , Ade Silvia Handayani <sup>4</sup> , Firdaus <sup>5</sup> .....	156
<sup>1-4</sup> Electrical Engineering, State Polytechnic of Sriwijaya <sup>5</sup> Computer Engineering, Sriwijaya University .....	156
AIR DETECTION ENVIRONMENT SYSTEM (ADEV) USING ANDROID APPLICATION FOR AIR QUALITY IN PARK AREA .....	157
ID : 2824 .....	157
Ade Silvia Handayani <sup>1</sup> , Nyayu Latifah Husni <sup>2</sup> , Al Fatur Sayid <sup>3</sup> , Rosmalinda Permatasari <sup>4</sup> , Carlos R Sitompul <sup>5</sup> , Sopian Soim <sup>6</sup> .....	157
<sup>1,2,3,5,6</sup> Department of Polytechnic Sriwijaya, Jalan Srijaya Negera, Bukit Besar, Palembang - Indonesia .....	157
<sup>4</sup> Universitas Tridnanti Palembang-indonesia .....	157
THE CONDITION OF THE SURFACE SEVERITY OF THE POLLUTED INSULATOR BASED ON HARMONIC MEASUREMENTS OF LEAKAGE CURRENTS .....	158
ID : 2775 .....	158

Carlos R Sitompul, Zainuddin Nawawi, Irfan Jambak, Rumiasih Rumiasih, Anton Firmansyah, Indah Susanti .....	158
THE INFLUENCE OF TRAVEL EXPERIENCE AND DESTINATION QUALITY ON TOURIST SATISFACTION VISITING CULINARY TOURISM DESTINATIONS.....	159
ID : 2575 .....	159
Abd. Hamid* <sup>1</sup> , Ummasyroh* <sup>2</sup> , Jusmawi Bustan * <sup>3</sup> , Heri Setiawan* <sup>4</sup> .....	159
<sup>1,2,3,4</sup> Business Administration Department, State Polytechnic of Sriwijaya, Palembang, Indonesia.....	159
THE EFFECT OF ORGANIZATIONAL SUPPORT AND JOB CHARACTERISTICS ON EMPLOYEE ENGAGEMENT.....	160
ID : 2576 .....	160
A.Jalaludin Sayuti <sup>1</sup> , Munparidi <sup>2</sup> , L.Suhairi Hazizma <sup>3</sup> , Alditia Detmuliati <sup>4</sup> .....	160
<sup>1,2,3,4</sup> Business Administration Department, State Polytechnic of Sriwijaya, Palembang, Indonesia.....	160
THE LINKAGE BETWEEN MARKET ORIENTATION, LEARNING ORIENTATION, AND INNOVATION CAPABILITIES OF SMALL SCALE RESTAURANT.....	162
ID : 2581 .....	162
Purwati <sup>1</sup> , Yusleli Herawati <sup>2</sup> , Elisa <sup>3</sup> , Marieska Lupikawati <sup>4</sup> .....	162
Business Administration Department, State Polytechnic of Sriwijaya, Palembang, Indonesia.....	162
STRENGTHENING STUDENTS' WRITING ON PROJECT REPORT VIA PROJECT BASED LEARNING TO THE ENGLISH DEPARTMENT STUDENTS OF SRIWIJAYA STATE POLYTECHNICS .....	163
ID : 2589 .....	163
Yusri, Sri Gustiani,Tiur Simanjuntak, Evi Agustinasari.....	163
(Lecturers of English Department, Sriwijaya Polytechnics) .....	163
ANALYSIS OF DAILY CONVERSATION FOR ONLINE DRIVERS .....	164
ID: 2596 .....	164
Desloehal Djumrianti <sup>1</sup> , Pridson Mandiangan <sup>2</sup> , Hanifati <sup>3</sup> , Alfitriani <sup>4</sup> .....	164
<sup>1,2,3,4</sup> Business Administration Department, Politeknik Negeri Sriwijaya, Palembang, Indonesia.....	164
THE STUDENTS` PERCEPTIONS OF RELIGIOUS RADICALISM AT STATE POLYTECTNIC OF SRIWIJAYA.....	165
ID : 2711 .....	165
Farida Husin* <sup>1</sup> , Ibnu Maja* <sup>2</sup> , Yulianto Wairan* <sup>3</sup> , Lindawati* <sup>4</sup> .....	165
Lecturer of State Polytechnic of Sriwijaya Palembang.....	165
The Correlation between Students' Listening Comprehension Strategy and Their TOEIC Score at State Polytechnic of Sriwijaya .....	166
ID: 2733 .....	166
Koryati <sup>1,*</sup> , Aisyah Shahab <sup>2,*</sup> , Zulkifli <sup>3,*</sup> , Nian Masna Evawati <sup>4,*</sup> .....	166

<i>1,2,3,4 English Department of Sriwijaya State Polytechnic.....</i>	166
DESCRIPTION OF ANXIETY LEVELS OF PRE SCHOOL CHILDREN WITH THALASEMIA WHO WILL GET BLOOD TRANSFUSE IN THE THALASEMIA POLY AT AL-IHSAN BALEENDAH HOSPITAL, BANDUNG.....	167
ID : 2734 .....	167
Lisbet Octovia Manalu <sup>1</sup> , * Budi Rustandi <sup>2</sup> , Budi Somantri <sup>3</sup> .....	167
<sup>1</sup> Rajawali Health Institute Bandung.....	167
<sup>2</sup> Rajawali Health Institute Bandung .....	167
<sup>3</sup> Rajawali Health Institute Bandung .....	167
A STORY OF A CUP OF COFFEE REVIEW OF GOOGLE LOCAL GUIDE REVIEW.....	168
ID : 2759 .....	168
Setiawan Priatmoko <sup>1, 2*</sup> , Dávid Lóránt <sup>1</sup> .....	168
Szent Istvan University School of Economics and Regional Science Gödöllő, Hungary <sup>1</sup>	168
STIE Pariwisata API Yogyakarta, Indonesia <sup>2</sup> .....	168
ASIAN WOMEN'S ROLES IN FAMILY HOLIDAY: A CASE STUDY OF INDONESIAN FEMALES .....	169
Paper ID 2788 .....	169
Desloehal Djumrianti <sup>1</sup> , Augustus E. Oseso-Asare <sup>2</sup> .....	169
<sup>1</sup> <i>Business Administration Department, Politeknik Negeri Sriwijaya, Palembang, Indonesia</i> .....	169
<sup>2</sup> <i>Faculty Business and Law, University of Sunderland, United Kingdom</i> .....	169
Analysis of Daily Conversation for Online Drivers.....	170
ID 2789 .....	170
Desloehal Djumrianti <sup>1</sup> , Augustus E. Oseso-Asare <sup>2</sup> .....	170
<sup>1</sup> <i>Business Administration Department, Politeknik Negeri Sriwijaya, Palembang, Indonesia</i> .....	170
<sup>2</sup> <i>Faculty Business and Law, University of Sunderland, United Kingdom</i> .....	170
The Customary Philosophy of the Anak Dalam Tribe as part of the soul of the nation's law	171
ID 2791 .....	171
Muhamad Erwin <sup>1</sup> , Ahmad Taqwa <sup>2</sup> , Dicky Seprianto <sup>3</sup> , Ahmad Zamheri <sup>4</sup> .....	171
<sup>1</sup> State Polytechnic of Sriwijaya, Palembang, Indonesia, .....	171
<sup>2</sup> Electrical Engineering Departemet State Polytechnic of Sriwijaya, Palembang, Indonesia, .....	171
<sup>3</sup> Mechanical Engineering Departement State Polytechnic of Sriwijaya Palembang, Indonesia,.....	171
<sup>4</sup> Mechanical Engineering Departement State Polytechnic of Sriwijaya Palembang, Indonesia .....	171
THE INFLUENCE OF LEADERSHIP STYLE, AND MOTIVATION WORK STRUCTURE TO MUARA ENIM COMMUNITY HEALTH CENTER (EQUATION STRUCTURAL METHOD APPROACH) ...	172

Paper ID 2612 .....	172
AlHushori <sup>1</sup> , Yusnizal Firdaus <sup>1</sup> , Markoni Badri <sup>1</sup> , Muhammad Yusuf <sup>1*</sup> .....	172
<sup>1</sup> Department of Business Administration, State Polytechnic of Sriwijaya, Palembang, Indonesia.....	172
alhushori@gmail.com,yusnizalfirdaus@yahoo.co.id,markonibadri@yahoo.com,m.yusuf@polsri.ac.id* .....	172
SETTLEMENT OF CASES OF TERMINATION OF EMPLOYMENT AT THE INDUSTRIAL RELATION COURT IN PALEMBANG CITY .....	173
Paper ID 2713 .....	173
Ayu Puspasari, WasitohMeirani, Muhammad Erwin, Suroso.....	173
Politeknik Negeri Sriwijaya.....	173
Jl. Srijaya Negara, Bukit Lama, Bukit Besar, Kota Palembang, Sumatera Selatan. ....	173
THE EFFECT OF FINANCIAL TECHNOLOGY ON FINANCIAL INCLUSION IN SMES IN PALEMBANG CITY .....	174
ID : 2845 .....	174
Nur Rizka Erlianta <sup>1</sup> , Marieska Lupikawaty <sup>2*</sup> , Titi Andriyani <sup>3</sup> .....	174
<sup>1</sup> Bachelor Program in Business Management.. Department of Business Administration, Sriwijaya State Polytechnic .....	174
<sup>2</sup> Bachelor Program in Business Management.. Department of Business Administration, Sriwijaya State Polytechnic .....	174
<sup>3</sup> Diploma Program in Business Administration, Department of Business Administration, Sriwijaya State Polytechnic .....	174
THE EFFECT OF PATIENT SATISFACTION LEVELS ON COMPETENCY AND FACILITIES AT SITI KHADIJAH ISLAMIC HOSPITAL, PALEMBANG CITY .....	175
ID : 2217 .....	175
Sarikadarwati <sup>1</sup> , Henny Yulsiati <sup>2</sup> , Sandrayati <sup>3</sup> , Susi Ardiani <sup>4</sup> .....	175
Department Accounting Polytechnic of Sriwijaya.....	175
THE ROLE OF SMALL AND MEDIUM ENTERPRISES (SMES) AND ECONOMIC GROWTH IN INDONESIA: THE VECM ANALYSIS .....	176
ID : 2579 .....	176
Aladin <sup>1</sup> , Evada Dewata <sup>2</sup> , Yuliana Sari <sup>3</sup> , Yuli Antina Aryani <sup>4</sup> .....	176
<sup>1,2,3,4</sup> ,Department of Accounting, Politeknik Negeri Sriwijaya, Indonesia .....	176
POVERTY IN SOUTH SUMATRA PROVINCE IS VIEWED FROM VILLAGE FUND AND VILLAGE FUND ALLOCATION.....	177
ID :2583 .....	177
Rita Martini <sup>1*</sup> , Endah Widyastuti <sup>1</sup> , Sukmini Hartati <sup>1</sup> , Zulkifli <sup>1</sup> , Riana Mayasari <sup>1</sup> .....	177
<sup>1</sup> Accounting Department, Polytechnic State of Sriwijaya, Palembang 30139, Indonesia .....	177
IMPACT OF BUMDESA MANAGEMENT ON PADESA IN PENUKAL ABAB LEMATANG ILIR REGENCY .....	178

ID : 2602 .....	178
Rosy Armaini <sup>1*</sup> , Maria Maria <sup>2</sup> , Nurhasanah Nurhasanah <sup>3</sup> , Yevi Dwitayanti <sup>4</sup> .....	178
<i><sup>1-4</sup> Accounting Major, State Polytechnic of Sriwijaya, Palembang, South Sumatera, Indonesia.....</i>	<i>178</i>
FACTORS AFFECTING ECONOMIC GROWTH IN REGENCIES AND CITIES IN THE PROVINCE OF SOUTH SUMATRA IN 2010 – 2018.....	179
ID : 2803 .....	179
Sri Hartaty <sup>1</sup> , Eka Jumarni F <sup>2</sup> , Anggeraini O <sup>2</sup> , L. Vera R.P. <sup>2</sup> .....	179
<b>ABSTRACT</b> .....	179
THE EFFECT OF LOCAL GOVERNMENT CHARACTERISTICS AND BPK AUDIT OPINIONS ON THE FINANCIAL PERFORMANCE OF LOCAL GOVERNMENTS (STUDY ON LOCAL GOVERNMENTS IN SOUTH SUMATRA).....	180
ID : 2621 .....	180
Indra Satriawan, Ardiyan Natoen, Periansya, Sopiyan AR .....	180
1234 Department of Accounting, Sriwijaya State Polytechnic .....	180
DIMENSIONS OF WOMEN'S EMPOWERMENT .....	181
ID :2519 .....	181
Neneng Miskiyah <sup>1*</sup> , Sari Lestari Zainal Ridho <sup>1</sup> , Hadi Jauhari <sup>1</sup> , Keti Purnamasari <sup>1</sup> .....	181
<sup>1</sup> Department of Business Administration, Sriwijaya State Polytechnic, Palembang, Indonesia.....	181
THE EFFECT OF ENTREPRENEURIAL COMPETENCIES ON BUSINESS PERFORMANCE (EMPIRICAL STUDY ON MSMES OF PALEMBANG WOVEN FABRIC) .....	182
ID : 2658 .....	182
Edwin Frywaruwah <sup>1</sup> , Bainil Yulina <sup>2</sup> , Sulaiman <sup>3</sup> , Siska Aprianti <sup>4</sup> .....	182
<sup>1,2,3,4</sup> Politeknik Negeri Sriwijaya.....	182
Analysis Of Marketing Mix Strategy On Consumer Value In Small And Medium Enterprises In Palembang, South Sumatra (Case Study Of Palembang's Traditional Processed Food) .....	183
ID : 2756 .....	183
Riza Wahyudi, M.Thoyib, Firmansyah, Darul Amri .....	183
Accounting Department Politeknik Negeri Sriwijaya, thoyib1958@gmail.com .....	183
THE EFFECT OF PLANNING ON RISK OF LOSS.....	184
IN INVESTING IN THE CAPITAL MARKET .....	184
ID 2804 .....	184
Mariskha. Z <sup>1</sup> , Hendra Sastrawinata <sup>2</sup> , Dr. Dewi Fadilah <sup>3</sup> , M. Riska Maulana <sup>4</sup> .....	184
State Polytechnic of Sriwijaya .....	184
The Effect of Bank Credibility and Service Convenience on Bank Customer Attitudes .....	185
ID 2567 .....	185
Esya Alhadi <sup>1</sup> , 2nd Gst Ayu Oka Windarti <sup>2</sup> , Elvia Zahara <sup>3</sup> , Titi Andriani <sup>4</sup> .....	185
<sup>1,2,3,4</sup> Business Administration Department, State Polytechnic of Sriwijaya, Palembang,	

Indonesia.....	185
The Influence of Information Quality and Information System Quality of Regional Assets on User Satisfaction at the Provincial Government of South Sumatera .....	186
ID 2814 .....	186
Kartika Rachma Sari <sup>1,*</sup> Zainal Arifin <sup>2</sup> , Desi Indriasari <sup>3</sup> , Choiruddin <sup>4</sup> .....	186
Politeknik Negeri Sriwijaya.....	186
Looking beyond Students' Writing: Its Relation to Their Academic Achievement .....	187
ID 2822 .....	187
Beni Wijaya, Zakaria, Munaja Rahma, Moehamad Ridhwan .....	187
Politeknik Negeri Sriwijaya.....	187
Determinants of Regional Budget Absorption in the Regional Apparatus Organization of Palembang City.....	188
ID 2830 .....	188
Vega Nabila Putri <sup>1</sup> , Kuo Keo Pisey <sup>2</sup> , Sukmini Hartati <sup>1</sup> , Rita Martini <sup>1*</sup> .....	188
<sup>1</sup> Accounting Department, Polytechnic State of Sriwijaya, Palembang 30139, Indonesia .....	188
<sup>2</sup> Entrepreneurship Development Institute, CIEDI Cambodia-India, Cambodia .....	188
*Corresponding author. Email: ritamartini@polsri.ac.id .....	188
ASPECTS AFFECTING THE ACCOUNTABILITY PERFORMANCE OF GOVERNMENT AGENCIES BANYUASIN DISTRICT.....	189
ID: 2834 .....	189
Rita Martini <sup>*1</sup> , Muhammad Aulia Ramadhan <sup>*1</sup> , Sukmini Hartati <sup>*1</sup> .....	189
<sup>1</sup> Accounting Department, Polytechnic State of Sriwijaya, Palembang 30139, Indonesia .....	189
PERCEPTION OF HUMAN RESOURCES ASPECT ON ABILITY TO MANAGE BUMDES .....	190
Paper ID 2846 .....	190
Nelly Masnila <sup>1</sup> , Faridah <sup>2</sup> , M. Husni Mubarak <sup>3</sup> , Desri Yanto <sup>4</sup> .....	190
Politeknik Negeri Sriwijaya.....	190



# Drying Rate of Skim Milk From Virgin Coconut Oil Remaining Water

Abu Hasan<sup>1</sup> Indah Purnamasari<sup>1,\*</sup> Muhammad Yerizam<sup>1</sup> Robert Junaidi<sup>1</sup>

<sup>1</sup> *Chemical Engineering Department, Politeknik Negeri Sriwijaya*

\*Corresponding author. Email : [indah.purnamasari@polsri.ac.id](mailto:indah.purnamasari@polsri.ac.id)

## ABSTRACT

Coconut tree's benefits were not only in flesh that can be processed into coconut milk, copra, and coconut oil but also in all part of coconut plants. Coconut oils were produced from dried coconut by extraction. The oil from this process is known as virgin coconut oil (VCO). During the VCO production, coconut residue (left after removing the coconut milk), coconut skim milk (CSM) and insoluble protein are the main by-products. By product such as skim milk and insoluble protein in coconut have been used to increase products value, which is used as a low protein healthy drink. This study aims to determine the drying rate in producing of CSM using a dryer. VCO remaining water is fed into the vacuum freeze dryer, the drying temperature is maintained (-10 °C) – (-25 °C) with drying time of 12 hours and 13 hours. The results show that the lower temperature and the longer time drying, the slower drying rate. The highest levels protein were at the drying time for 13 hours with a drying temperature of -25 °C, namely 36.28% with water content contained in the CSM of 5.49%. The drying rate obtain 2.53 – 2.54 gram per hour in every drying times and temperatures.

**Keywords:** *Coconut, Drying, Skim Milk, Rate*

## 1. INTRODUCTION

Coconut plant is a type of food plant in Indonesia that can be used to help overcome malnutrition [1]. Coconut responds as a source of protein to affect the work of enzymes, hormones, and immunity. Protein is one of the nutrients needed in large quantities every day, and it contributes to the supply of energy (calories) to the body [2]. Fresh coconut meat only contains 4.5% by weight of protein, this protein is important because the highest level of coconut production in the world [3]. Coconut is usually used and processed optimally through the manufacture of Virgin Coconut Oil (VCO) with by-products in the form of skim coconut milk waste water and insoluble protein[1].

The VCO byproducts or skim processing sometimes are left alone and disposed in the environment. Even though it can be useful if its turn into a high value potential food and healthy for the body, namely coconut skim milk (CSM). Processing of Coconut Skim Milk (CSM) into selected powder to increase shelf life and simplify product application [4].

The alternative processing techniques for CSM into powder can be done by drying [5]. Solid Drying means separating a small amount of water or other liquid from the solid, thereby reducing the residual liquid content in the solid to an acceptable value. Drying is usually the last process in operation series, and drying products are

usually ready to pack [6]. Drying is the process of reducing the moisture content of a material until it reaches a certain water content.

The basic of the drying process is water evaporation into the air because vapor content difference between the air and the dried material. In order for a dried material, the air must have a moisture or moisture content lower than the material to be dried [7].

Freeze vacuum dryer is a good dryer because drying with this method can maintain the quality of the results from drying so that the resulting product is a powder with a stable form and does not change color [8]. The production of CSM powder which is expected to be an alternative business that might be one of the solutions for people who lack nutritional intake.

## 2. EXPERIMENTAL PROCEDURE

### 2.1. Materials

The raw material is coconut with weight of 5 grams which is procced with water and separated into heavy and light product. The heavy product is procced into VCO and light product is procced into CSM.

## 2.2. Equipments

A prototype freeze vacuum dryer equipment consisting of compressor, vacuum pump, heating room, cooling room, fan, condensor, water trap, and electricity panel as shown in Figure 1.

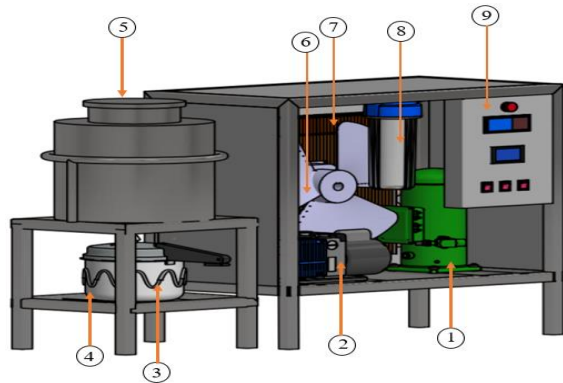


Figure 1. Freeze vacuum dryer prototype

## 2.3. Methods

VCO remaining water is turned to vacuum freeze dryer with specific weight. Drying is occurred in the batch process with temperature is maintained (-10°C) – (-25 °C) in drying time of 12 - 13 hours.

## 3. RESULT AND DISCUSSION

The principle of freeze drying technology begins with the process of freezing food, and is followed by drying, namely removing / separating most of the water in the material that occurs through the sublimation mechanism. Vacuum freeze drying comprises of three stages, those are freezing, primary drying and secondary drying [9]. The freezing process in freeze drying occurs in a vacuum, where the pressure drop process is followed by the evaporation of water vapor through product surface.

### 3.1. Temperature Effect in drying process

#### 3.1.1. The Drying Temperature Effect on Water Content of Powdered Skim Milk

The determination of water content in food ingredients are needed, because the high water content contained, the more that food material will spoil quickly [10]. The water content analysis aims to measure the water content in coconut skim milk produced. The coconut milk skim solution in the liquid phase has a moisture content of 85.80% [11] and has a maximum water content of 5% for dry samples or powdered coconut skim milk products (SNI 2970: 2015). From the results of tests carried out based on the oven method with SNI No. 01-2891-1992, Water content in the sample of liquid coconut milk skim solution was 85.67%

and a range of 4.6% -6.5% for the water content in the resulting powdered coconut skim milk product. The difference in the water content of the powdered coconut skim milk product is still classified as normal, which is close to the standard range of water content of skim milk. The results of water content of coconut skim milk against powdered coconut skim milk are presented in Figure 2.

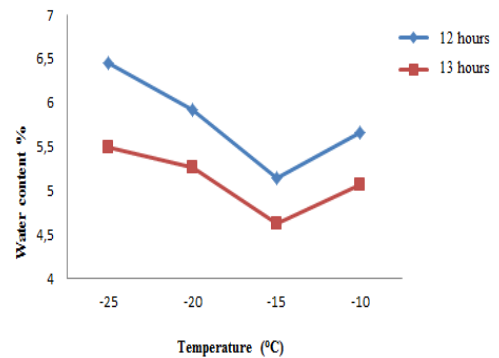


Figure 2. Drying Temperature Effect on Water Content of Powdered Skim Milk

Figure 2 shows that the water content in coconut skim milk is quite high in temperature -25 °C. This is because the vacuum pressure when the study was not maintained stable made the water content in the sample not evaporated optimally. However, this water content is still close to the water content standard for skim milk.

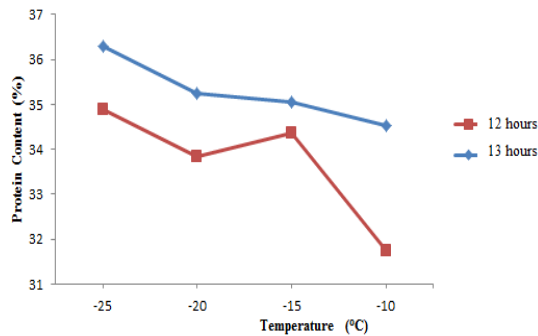
The figure also shows that the sample with the drying time of 12 hours has more water content than the sample with the drying time of 13 hours. So, from these data it can be seen that the longer the drying time, the lower the moisture content in the coconut skim sample. This is due to the water that initially is in the matrix of the coconut skim sample material sublimates with the length of drying time. The drying process condition is maintained below the triple point. If this condition is maintained, then water (ice) in food will continuously decrease through the sublimation process [12].

#### 3.1.2. The Drying Temperature Effect on Protein Content of Powder Skim Milk

Protein is an important nutrient that is useful for the formation of new cells in the body, influencing the work of enzymes, hormones, and immunity. Protein is a source of amino acids that contain elements of C, H, O, and N which are not owned by fat [2]. Analysis of protein content in coconut skim milk products aims to determine the suitability of protein content in the resulting powdered coconut skim milk products.

According to Barlina (2007) and SNI 2970: 2015, the protein content in skim milk is 35% and a minimum of 33%. Protein content analysis is carried out using the Kjeldahl method which is generally carried out by referring to the nitrogen content of the material being

analyzed. The results of the analysis of powdered coconut skim milk protein against drying temperature can be seen in Figure 3.



**Figure 3.** Drying Temperature Effect on Protein Content of Powdered Coconut Skim Milk

From Figure 3 shows that the protein content with a drying time of 12 hours is lower than drying time of 13 hours. This happens because during the drying process, water is released from the matrix of coconut milk skim material form. During the drying process, there is a water content that is bound to polar components, including protein [10].

When the sample is dried for 12 hours, the hydrogen bonds between water and protein are not completely released, so there is still immeasurable protein. Meanwhile, during drying for 13 hours, the more hydrogen bonds were broken between water and protein. So that drying for 13 hours has more measured protein content than drying for 12 hours. This is in accordance with the results of research which reveals that during drying of food, the loss of moisture in the material when drying will cause an increase in nutrient levels in the material [13]. In drying using the vacuum freeze dryer method, the drying temperature in the cold room with a relatively low temperature does not change the texture, taste, nutritional content, and color of these foodstuffs [14].

### 3.2. Drying Rates of Skim Milk Powder

The drying rate of wet solid material depends on the drying conditions, namely the drying air conditions for example temperature, humidity, air mass flow rate and the condition of dried material (surface area, volume, mass, density, initial moisture content and expected final moisture content after the drying process) [15].

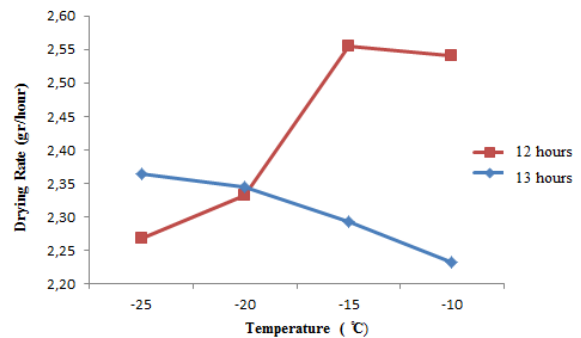
The drying rate in the drying process of a material describes how the drying speed takes place. The drying rate is expressed by the weight of water evaporated per unit dry weight per hour [16]. The mass drying rate formula [17] is stated:

$$R = \frac{W_0 - W_t}{t} = \frac{\Delta W}{t} \tag{1}$$

Information:

- R = drying rate (gr / min)
- W<sub>0</sub> = weight of the original material (gr)
- W<sub>t</sub> = weight of final material (gr)
- t = time (hours)

From the data on the results of the drying process of powdered coconut skim milk that has been carried out, data processing can be carried out to obtain the value of the drying rate that occurs. The result of drying rate can be stated in Figure 4.



**Figure 4.** Drying Temperature Effect on Drying Rate of Powdered Coconut Skim Milk

The drying rate is the change in water content in the evaporated material per unit dry weight and per unit time. The drying rate is influenced by the moisture content of a material where the lower water content, the higher drying rate [18].

Figure 4 shows that a drying time of 13 hours in the -10 °C, the drying rate is lower than others. It is because the smaller drying temperature, the faster sublimation process will occur so that the more water content is lost which will accelerate the drying rate of powdered coconut skim milk.

However, in drying time of 12 hours at a temperature of -25 °C and -20 °C, that products should have shown a high drying rate actually showed a low drying rate. This is because the vacuum pressure at the beginning of the experiment tends to be unstable which makes the pressure drop quickly as previously described. The large vacuum pressure driving force for diffusion increases, making it easier for water vapor molecules from the material to escape [19]. The large vacuum pressure increases the sublimation process of moisture from the coconut skim milk sample and the time required for drying is also shorter. So, the smaller or lower the vacuum pressure, the slower the drying rate of the coconut skim milk will be.

## 4. CONCLUSION

Conclusions from this research are

1. The higher drying temperature, the higher water content, and the lower protein. The highest levels protein was at the drying time for 13 hours with a drying temperature of -25 °C, namely 36.28% with water content contained in the CSM of 5.49%.
2. The lower drying temperature, the higher drying rate. The drying rate obtain 2.53 – 2.54 gram per hour in every drying times and temperatures.

## ACKNOWLEDGEMENT

We thank to Politeknik Negeri Sriwijaya for supporting this research under contract number : 3232/PL6.2.1/LT/2020 dated 25 of June 2020.

## REFERENCES

- [1] R. Kusmawaningtyas, D. P. Dewi, S. Septiana, and N. Farisuna, Pemanfaatan Konsentrat Protein Kelapa Murah Pembuatan Susu Berkalsium Dan Berprotein Tinggi Peningkatan Gizi Balita (Laporan PKM MIPA KIMIA Universitas Gadjah Mada, Yogyakarta), 2010
- [2] Badan Pusat Statistik (BPS). Konsumsi Kalori Dan Protein Penduduk Provinsi, 2018
- [3] Anonim 2014 [www.fao.org](http://www.fao.org). accessed: 11 Desember 2019
- [4] M.N. Sari, Rekayasa Pengolahan Skim Santan Kelapa Limbah Produksi VCO (Virgin Coconut Oil) menjadi Bubuk di CV Herba Bagoes Malang (Kajian Suhu dan Lama Waktu Pemanasan), thesis, 2017, Universitas Brawijaya. <http://repository.ub.ac.id/3527/>. accessed 23 Februari 2020.
- [5] A. Naik, S.N. Raghavendra, and K.S.M.S. Raghavarao, Production of coconut protein powder from coconut wet processing waste and its characterization, 2012, *Applied Biochemistry and Biotechnology*, 167, 1290–1302. doi:10.1007/s12010-012-9632-9.
- [6] W.L. McCabe, J.L. Smith, and P. Harriot, *Unit Operations of Chemical Engineering*, 4<sup>th</sup> ed. McGraw Hill International Book Co: Singapore, 2002.
- [7] R.E. Treybal, *Mass Transfer Operations*, 3<sup>rd</sup> edition McGraw Hill, Inc: New york, 1981
- [8] Novindo, Pengerian Beku (Freeze Drying (<http://novindo.co.id/2017/02/02/pengerian-beku-freeze-drying/>). accessed 26 Februari 2020), 2020.
- [9] Y. Xu, M. Zhang, A.S. Mujumdar, X. Duan and S. Jin-cai, A Two-Stage Vacuum Freeze and Convective Air Drying Method for Strawberries, 2006, *Journal Drying Technology An International Journal* Volume 24, 2006 - Issue 8 Pages 1019-1023.
- [10] L. Nuraeni, Alumni, Y. Garnida and M.I. Sofyan, Pengaruh Suhu dan Lama Pengerian Terhadap Karakteristik Tepung Terubuk (Saccharum edule Hasskarl), 2018, thesis, Fakultas Teknik Universitas Pasundan.
- [11] R. Barlina, Potensi Kelapa Sebagai Sumber Gizi Alternatif untuk Mengatasi Rawan Pangan, 2007, *Buletin Palma* No 3, pp 68-80.
- [12] P. Hariyadi, Freeze drying technology for better quality & flavor of dried products, 2013, *Jurnal Foodreview Indonesia*. Vol. 8(2): 52 – 56.
- [13] N.W. Desroiser, *Teknologi Pengawetan Pangan*, 1988, UI Press, Jakarta.
- [14] J. Brama, and A. Martin, Pengerian beku vakum bengkuang dengan memanfaatkan panas buang kondensor untuk proses sublimasi, 2014, *Jom F.Teknik* 1 (2): 3.
- [15] N.E. Susanto, Pengaruh Tekanan Udara Terhadap Laju Perubahan Massa Pada Proses Pengerian dengan Metode Temperatur Rendah, 2011, Fakultas Teknik Universitas Negeri Semarang.
- [16] U.C., Okonkwo, A.O. Onokwai, C.L. Okeke, C.O. Osueke, C.A. Ezugwu, R.S. Diarah, C.O. Aremu, Investigation of the Effect of Temperature on the Rate of Drying Moisture and Cyanide Contents of Cassava Chips Using Oven Drying Process, 2019, *International Journal of Mechanical Engineering and Technology* 10(1), pp. 1507–1520.
- [17] Arwizet, Refdinal, and Muhakir, Pengembangan Mesin Pembuatan Santan Kering dengan Menggunakan Sistem Freezing Drying Sebagai Bagian dari Pengolahan Santan Terpadu, 2012, Laporan Akhir Hibah Bersaing Perguruan Tinggi, Universitas Negeri Padang.
- [18] M.P.T. Dessy, Pengaruh Ketebalan Terhadap Kinetika Pengerian Ubi Kayu (Manihot Utilisima) Menggunakan Pengerian Surya Secara Tidak Langsung (Indirect Solar Dryer) dan Penjemuran Langsung (Open Sun Drying). 2016, Thesis, Universitas Sumatera Utara, Medan.
- [19] S. Methakhup, N. Chiewchan, and S. Devahasti, Effect of drying methods and condition on drying kinetic and quality of indian gooseberry flake, 2009, *J. Swiss Soc of Food Sci. and Technol.*, vol. 38, no. 2, pp. 580-7.



**The 4<sup>th</sup> FIRST 2020**  
**(FORUM IN RESEARCH, SCIENCE, AND TECHNOLOGY)**

CERTIFICATE OF APPRECIATION

Present to

**Abu Hasan**

in recognition & appreciation of contribution as

**Author**

FIRST International Conference  
"SYNERGY OF APPLIED TECHNOLOGY FOR SOCIAL-TECHNOPRENEUR BASED ON LOCAL  
RESOURCE TO GENERATE SUSTAINABILITY DEVELOPMENT"  
Held on November, 10-11, 2020



Dr. Ing. Ahmad Taqwa, M.T.  
Director of State Polytechnic of Sriwijaya



Dr. Vita Martin, M.Si., Ak., CA.  
Director of FIRST 2020

Organized By :



Collaborate With :

