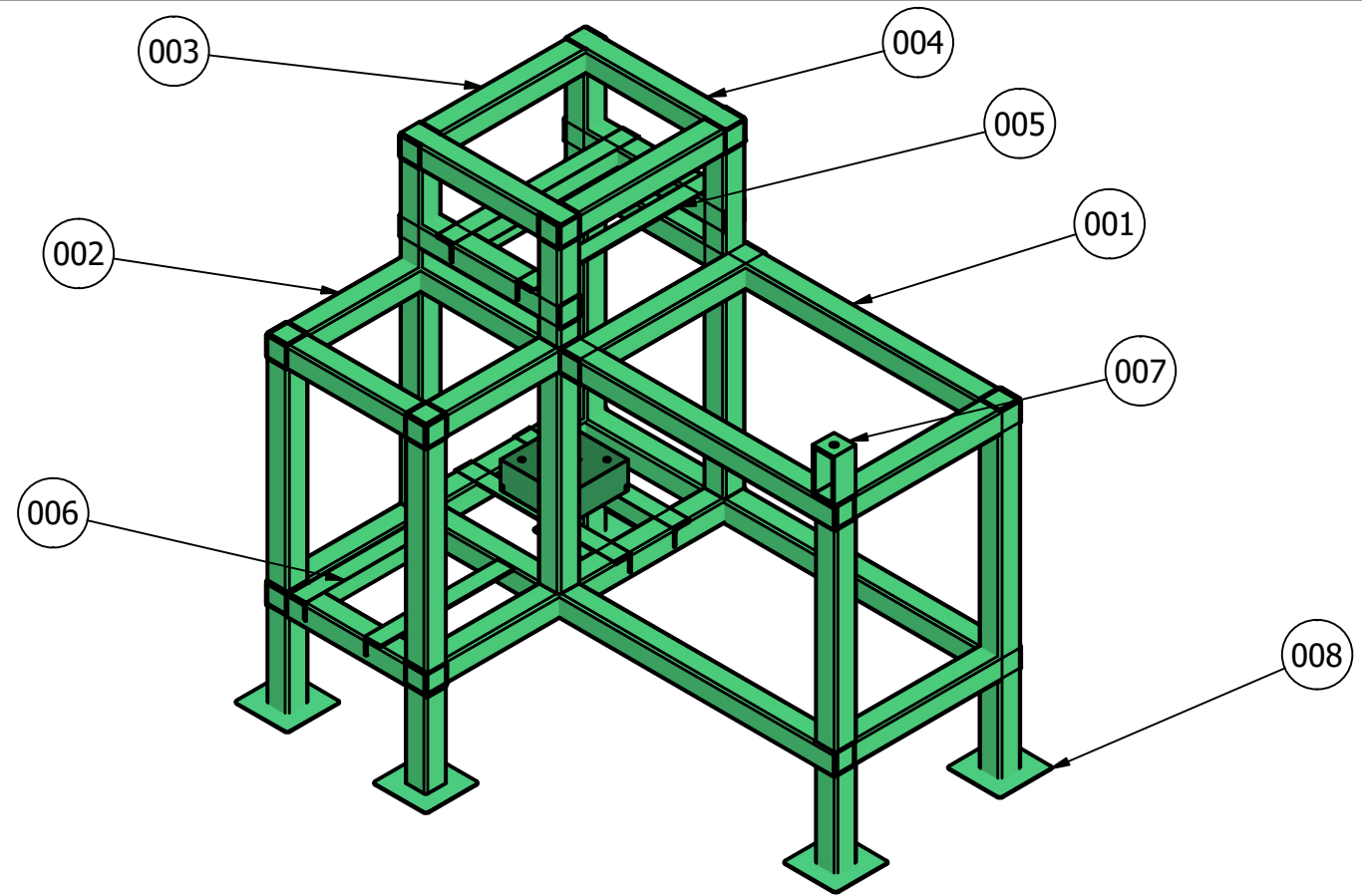
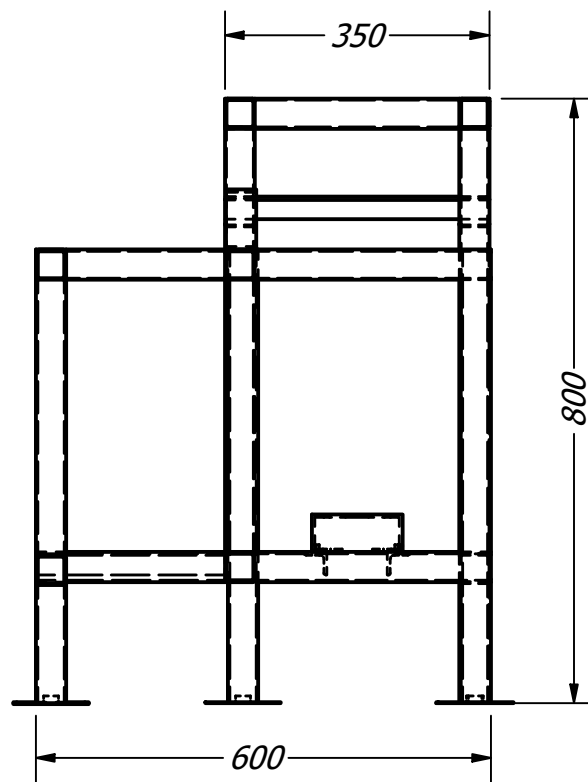
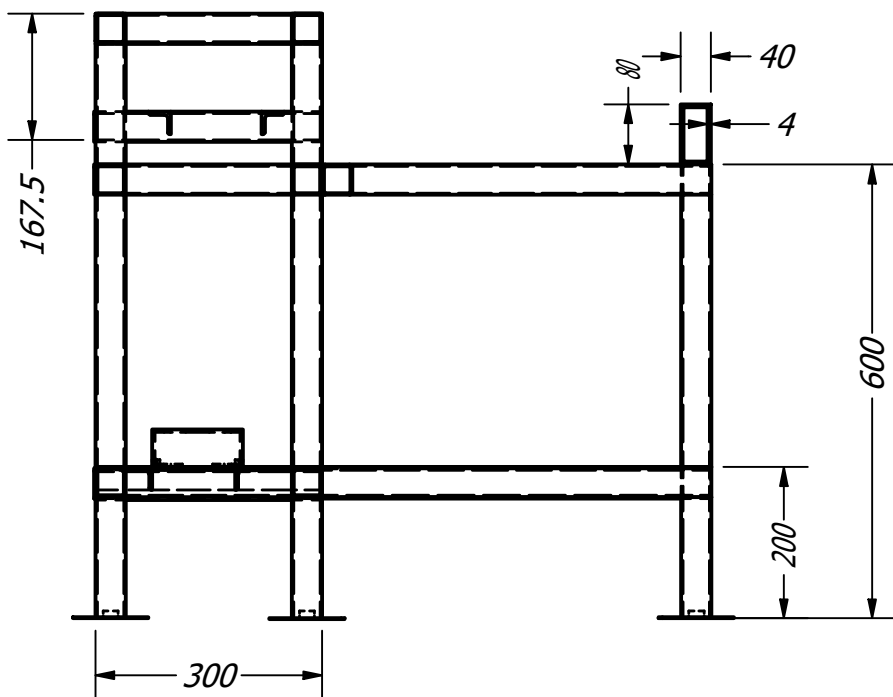
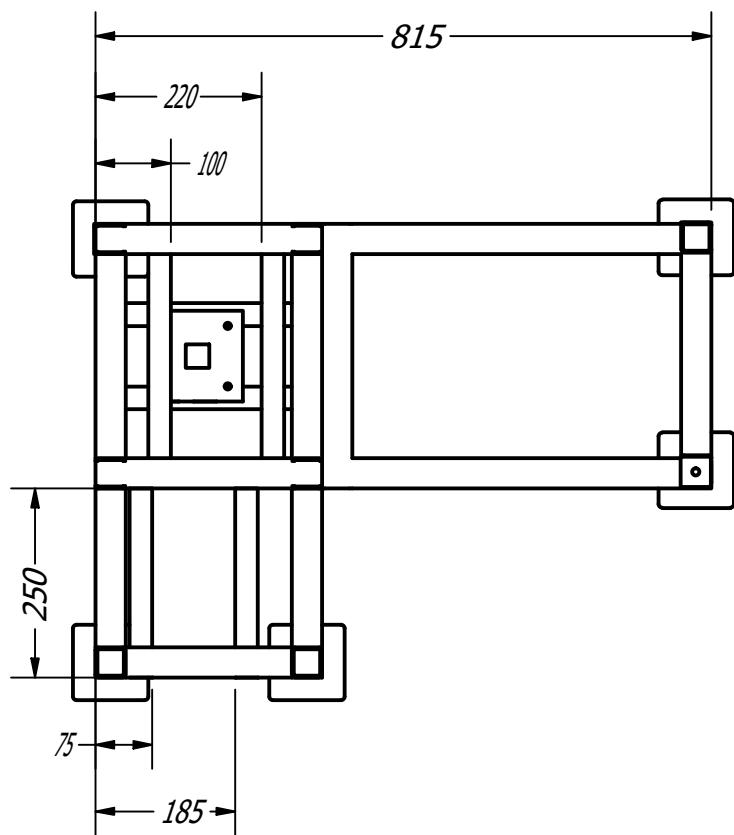


|        |                          |           |               |                                |            |
|--------|--------------------------|-----------|---------------|--------------------------------|------------|
| 1      | COUPLING MOTOR - GEARBOX | 18        | Steel, Carbon | ID Ø12XØ16                     | DIBELI     |
| 10     | BAUT ANSI                | 17        | Steel, Mild   | M6X1.25<br>M8X1.25             | DIBELI     |
| 1      | WASTE BOX                | 16        | Steel, Carbon | 1200X2400X1.8                  | DIBUAT     |
| 1      | HANDLE                   | 15        | Steel, Carbon | Ø30X451 - 40X52X5              | DIBUAT     |
| 1      | ENGSEL                   | 14        | Steel, Carbon | 30X382X5                       | DIBUAT     |
| 1      | MATA SNEI                | 13        | HSS           | M8X1.25                        | DIBELI     |
| 1      | RUMAH SNEI               | 12        | Iron, Cast    | Ø80X50                         | DIBELI     |
| 1      | COVER PLATE              | 11        | Steel, Carbon | 1200X2400X1.8                  | DIBUAT     |
| 1      | MOTOR LISTRIK            | 10        | Iron, Cast    | 1/2 HP                         | DIBELI     |
| 1      | SPEED REDUCER            | 9         | Iron, Cast    | 1:30                           | DIBELI     |
| 1      | SPROCKET Z 14            | 8         | Steel         | Z 14                           | DIBELI     |
| 1      | RANTAI                   | 7         | Generic       | RS 40                          | DIBELI     |
| 1      | SPROCKET Z 35            | 6         | Steel         | Z 35                           | DIBELI     |
| 2      | PILLOW BLOCK             | 5         | Iron, Cast    | ID Ø45                         | DIBELI     |
| 1      | BRACKET CHUCK            | 4         | Steel, Carbon | Plate 200X300X5 - Pipe Ø50X240 | DIBUAT     |
| 2      | LINEAR SHAFT             | 3         | Steel, Carbon | Ø25X1000                       | DIBELI     |
| 4      | LINEAR BRACKET           | 2         | Aluminium     | ID Ø25                         | DIBELI     |
| 1      | RANGKA                   | 1         | Steel, Carbon | HOLLOW 40X40X2X12000           | DIBUAT     |
| JUMLAH | NAMA BAGIAN              | NO BAGIAN | BAHAN         | UKURAN                         | KETERANGAN |

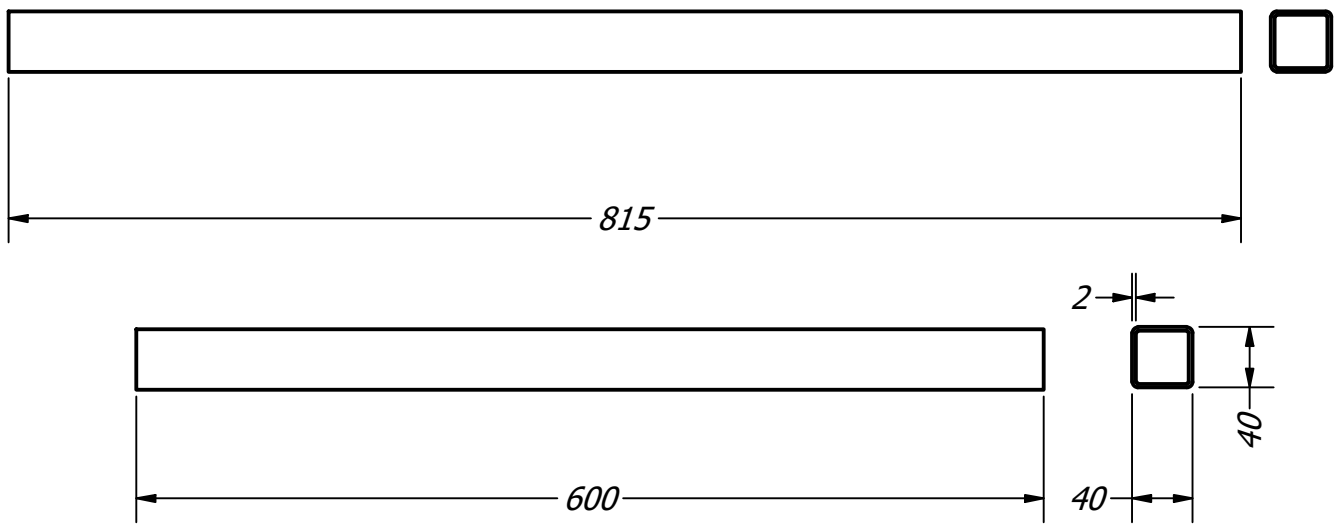
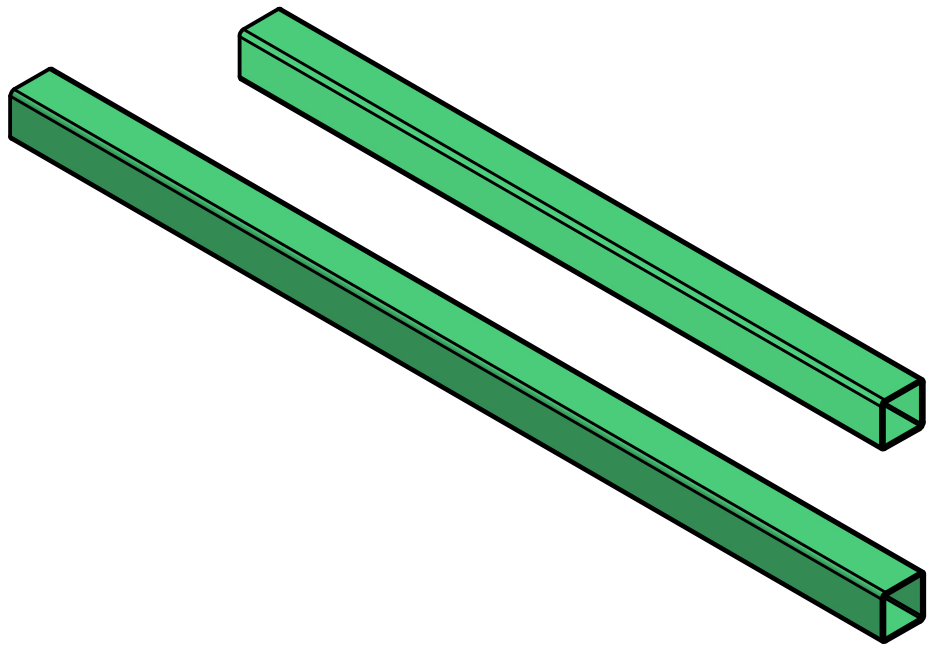
|     |    |   |                             |  |                  |
|-----|----|---|-----------------------------|--|------------------|
| III | II | I |                             |  |                  |
|     |    |   |                             |  |                  |
|     |    |   | <b>ASSEMBLY MESIN SNEI</b>  |  | SKALA<br>1:5     |
|     |    |   | POLITEKNIK NEGERI SRIWIJAYA |  | DRAME/6/23/MESIN |

1. TOL.  $\pm 0.1$   $\nabla$  N7 GERINDA-LAS-BOR



|                             |    |        |                        |           |               |                        |                       |  |
|-----------------------------|----|--------|------------------------|-----------|---------------|------------------------|-----------------------|--|
|                             |    | 5      | KAKI RANGKA            | 008       | Steel, Carbon | 100X100X1.8            | DIBUAT                |  |
|                             |    | 1      | DUDUKAN HANDLE         | 007       | Steel, Carbon | HOLLOW 40X80X4X40      | DIBUAT                |  |
|                             |    | 4      | SUB RANGKA BESI SIKU   | 006       | Steel, Carbon | BESI SIKU 30X30X4X1300 | DIBUAT                |  |
|                             |    | 2      | SUB RANGKA BESI SIKU   | 005       | Steel, Carbon | BESI SIKU 30X30X4X2000 | DIBUAT                |  |
|                             |    | 4      | SUB RANGKA BESI HOLLOW | 004       | Steel, Carbon | HOLLOW 40X40X2X1350    | DIBUAT                |  |
|                             |    | 4      | SUB RANGKA BESI HOLLOW | 003       | Steel, Carbon | HOLLOW 40X40X2X1400    | DIBUAT                |  |
|                             |    | 11     | SUB RANGKA BESI HOLLOW | 002       | Steel, Carbon | HOLLOW 40X40X2X7950    | DIBUAT                |  |
|                             |    | 5      | SUB RANGKA BESI HOLLOW | 001       | Steel, Carbon | HOLLOW 40X40X2X12000   | DIBUAT                |  |
|                             |    | JUMLAH | NAMA BAGIAN            | NO BAGIAN | BAHAN         | UKURAN                 | KETERANGAN            |  |
| III                         | II | I      |                        |           |               |                        |                       |  |
| <b>RANGKA</b>               |    |        |                        |           |               | SKALA<br>1:10          | Digambar<br>Diperiksa |  |
| POLITEKNIK NEGERI SRIWIJAYA |    |        |                        |           |               | DRAME/6/23/MESIN       |                       |  |

001- 002 TOL.  $\pm 0.1$   $\nabla$  N7 GERINDA

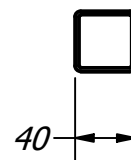
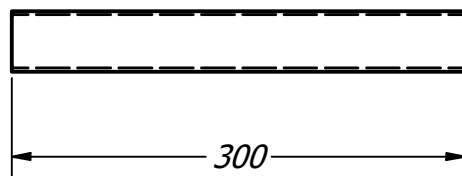
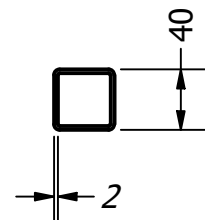
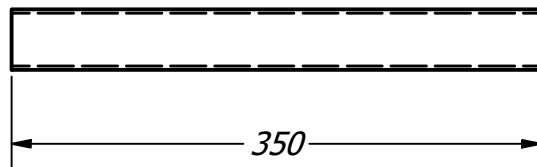
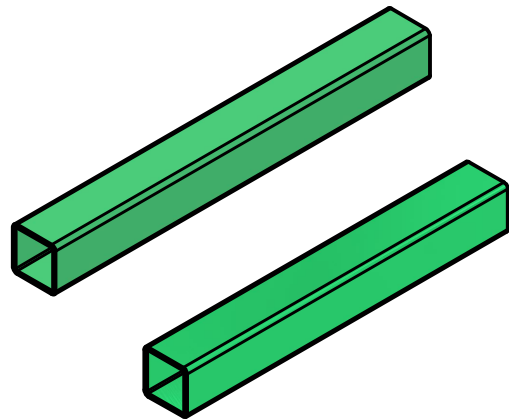


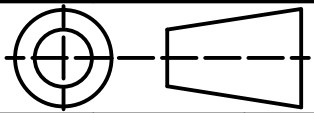
|  |  |    |                           |     |                  |                         |        |
|--|--|----|---------------------------|-----|------------------|-------------------------|--------|
|  |  | 11 | SUB RANGKA<br>BESI HOLLOW | 002 | Steel,<br>Carbon | HOLLOW<br>40X40X2X7950  | DIBUAT |
|  |  | 5  | SUB RANGKA<br>BESI HOLLOW | 001 | Steel,<br>Carbon | HOLLOW<br>40X40X2X12000 | DIBUAT |

| JUMLAH | NAMA BAGIAN | NO BAGIAN | BAHAN | UKURAN | KETERANGAN |
|--------|-------------|-----------|-------|--------|------------|
|--------|-------------|-----------|-------|--------|------------|

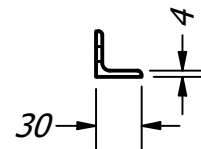
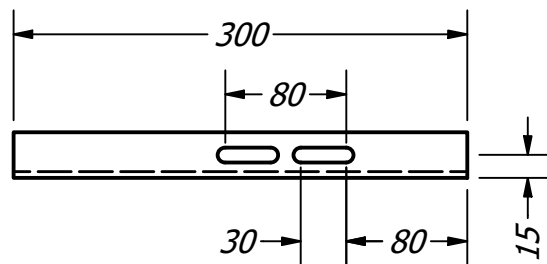
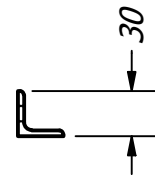
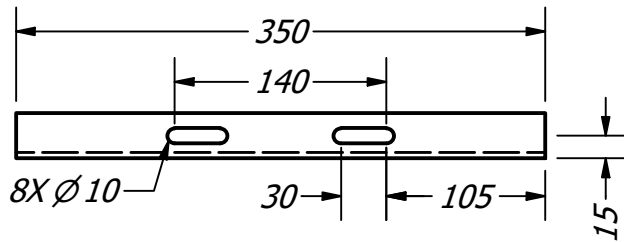
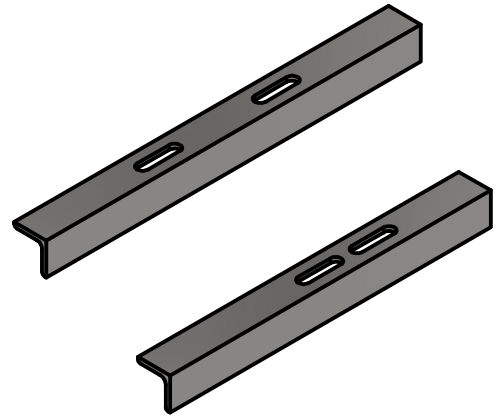
|                             |    |       |  |                      |  |           |  |
|-----------------------------|----|-------|--|----------------------|--|-----------|--|
| III                         | II | I     |  |                      |  |           |  |
| <h1>SUB RANGKA</h1>         |    | SKALA |  |                      |  | Digambar  |  |
|                             |    | 1:5   |  |                      |  | Diperiksa |  |
| POLITEKNIK NEGERI SRIWIJAYA |    |       |  | DRAME/NO2/6/23/MESIN |  |           |  |

003- 004 TOL.  $\pm 0.1$   $\nabla$  N7 GERINDA



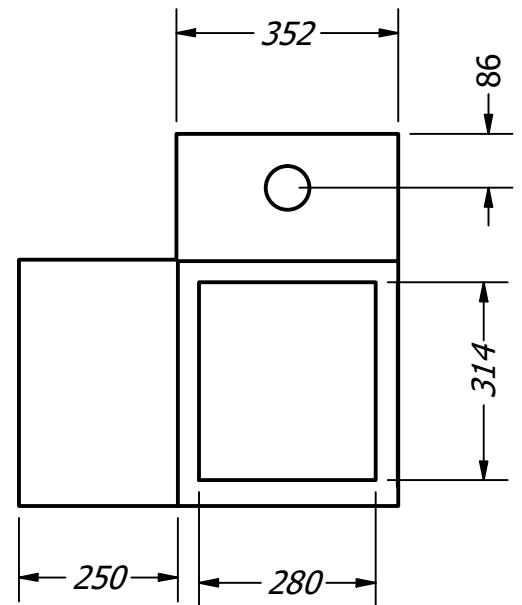
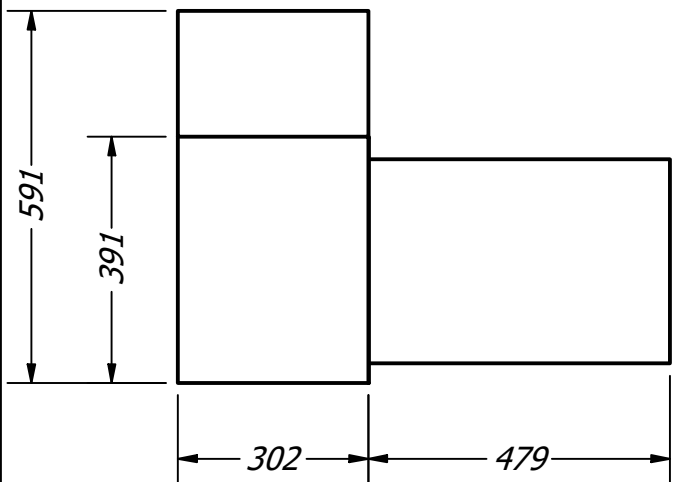
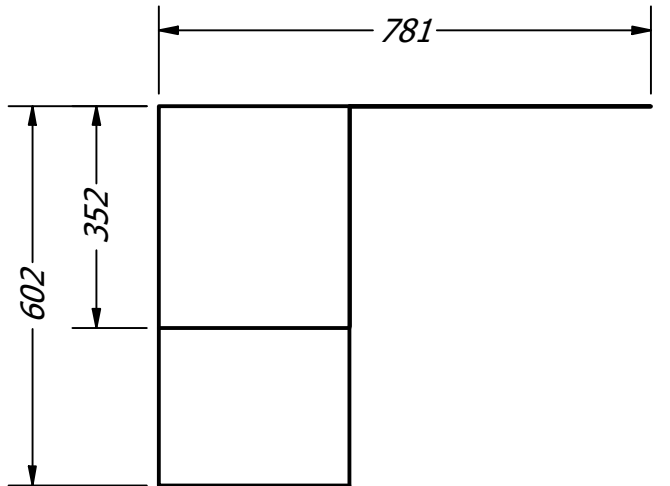
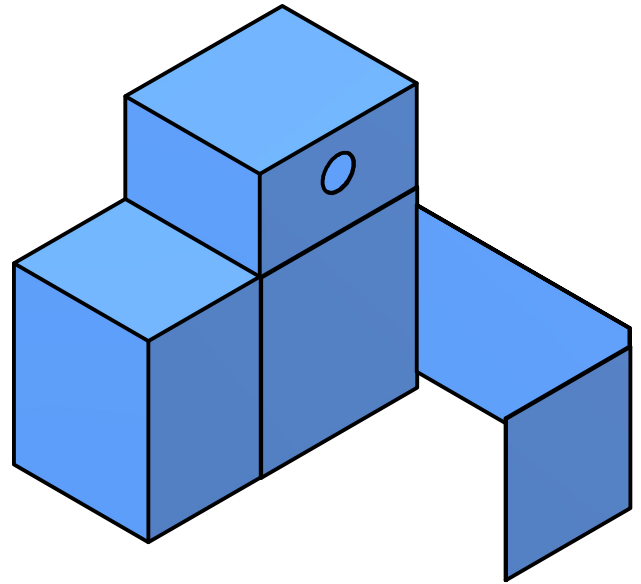
|                             |    |             |                           |              |                  |                        |   |          |     |
|-----------------------------|----|-------------|---------------------------|--------------|------------------|------------------------|---|----------|-----|
|                             |    | 4           | SUB RANGKA<br>BESI HOLLOW | 004          | Steel,<br>Carbon | HOLLOW<br>40X40X2X1350 | DIBUAT  |          |     |
|                             |    | 4           | SUB RANGKA<br>BESI HOLLOW | 003          | Steel,<br>Carbon | HOLLOW<br>40X40X2X1400 | DIBUAT  |          |     |
| JUMLAH                      |    | NAMA BAGIAN |                           | NO<br>BAGIAN | BAHAN            | UKURAN                 | KETERANGAN  |          |     |
| III                         | II | I           | <b>SUB RANGKA</b>         |              |                  |                        |  | Digambar |     |
|                             |    |             |                           |              |                  |                        |   | SKALA    | 1:5 |
| POLITEKNIK NEGERI SRIWIJAYA |    |             |                           |              |                  |                        | DRAME/NO3/6/23/MESIN  |          |     |

005 - 006 TOL.  $\pm 0.1$   $\sqrt{N7}$  GERINDA-BOR




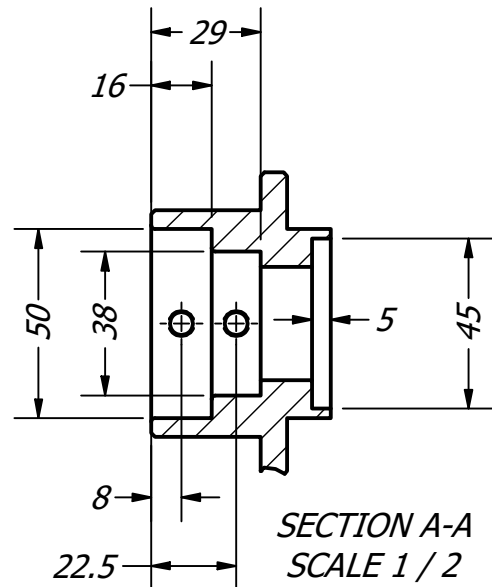
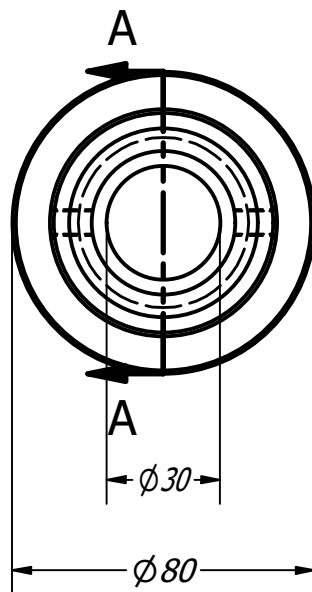
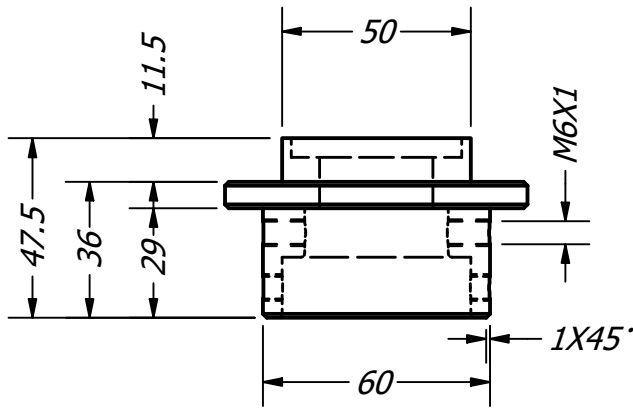
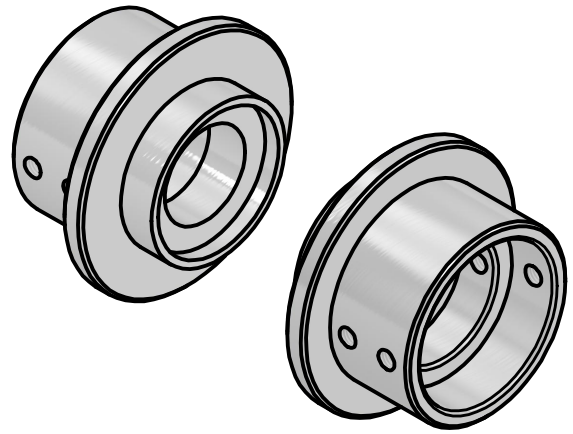
|        |    |   |                         |           |                  |                           |                             |       |          |                      |
|--------|----|---|-------------------------|-----------|------------------|---------------------------|-----------------------------|-------|----------|----------------------|
|        |    | 4 | SUB RANGKA<br>BESI SIKU | 006       | Steel,<br>Carbon | BESI SIKU<br>30X30X4X1300 | DIBUAT                      |       |          |                      |
|        |    | 2 | SUB RANGKA<br>BESI SIKU | 005       | Steel,<br>Carbon | BESI SIKU<br>30X30X4X2000 | DIBUAT                      |       |          |                      |
| JUMLAH |    |   | NAMA BAGIAN             | NO BAGIAN | BAHAN            | UKURAN                    | KETERANGAN                  |       |          |                      |
| III    | II | I | <b>SUB RANGKA</b>       |           |                  |                           |                             | SKALA |          |                      |
|        |    |   |                         |           |                  |                           |                             | 1:5   | Digambar |                      |
|        |    |   |                         |           |                  |                           | POLITEKNIK NEGERI SRIWIJAYA |       |          | DRAME/NO4/6/23/MESIN |

11. TOL  $\pm 0.1$   $\nabla$ <sup>N7</sup> GERINDA-LAS




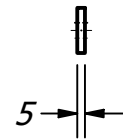
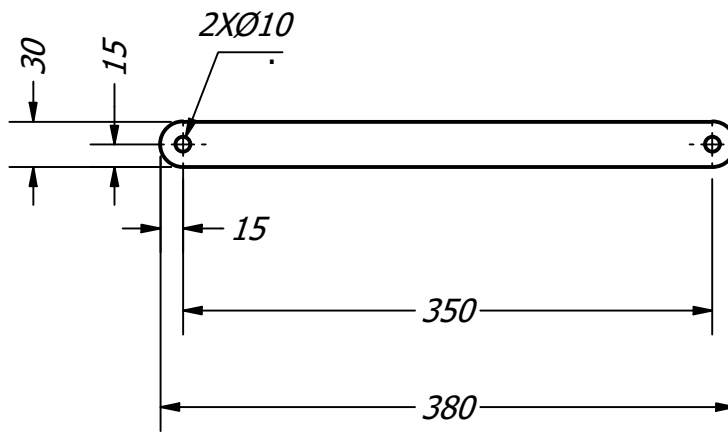
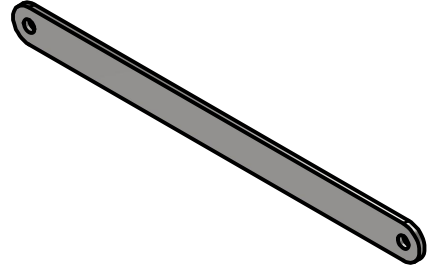
|                             |    |   |             |           |                  |                      |                       |  |
|-----------------------------|----|---|-------------|-----------|------------------|----------------------|-----------------------|--|
|                             |    | 1 | COVER PLATE | 11        | Steel,<br>Carbon | 1200X2400X1.8        | DIBUAT                |  |
| JUMLAH                      |    |   | NAMA BAGIAN | NO BAGIAN | BAHAN            | UKURAN               | KETERANGAN            |  |
| III                         | II | I |             |           |                  |                      |                       |  |
| <b>COVER PLATE</b>          |    |   |             |           |                  | SKALA<br>1:10        | Digambar<br>Diperiksa |  |
| POLITEKNIK NEGERI SRIWIJAYA |    |   |             |           |                  | DRAME/NO6/6/23/MESIN |                       |  |

12. TOL.  $\pm 0.1$   BUBUT-BOR



|        |    |             |   |                |                     |            |                                    |  |                             |                                  |
|--------|----|-------------|---|----------------|---------------------|------------|------------------------------------|--|-----------------------------|----------------------------------|
|        | 1  | RUMAH SNEI  | 12  | Steel,<br>Mild | $\phi 80 \times 50$ | DIBUAT     |                                    |  |                             |                                  |
| JUMLAH |    | NAMA BAGIAN | NO BAGIAN   | BAHAN          | UKURAN              | KETERANGAN |                                    |  |                             |                                  |
| III    | II | I           |  |                |                     |            |                                    |  |                             |                                  |
|        |    |             |   |                |                     |            | <p><b>RUMAH SNEI</b></p>           |  | <p>SKALA<br/>1:2</p>        | <p>Digambar</p> <p>Diperiksa</p> |
|        |    |             |   |                |                     |            | <p>POLITEKNIK NEGERI SRIWIJAYA</p> |  | <p>DRAME/NO7/6/23/MESIN</p> |                                  |

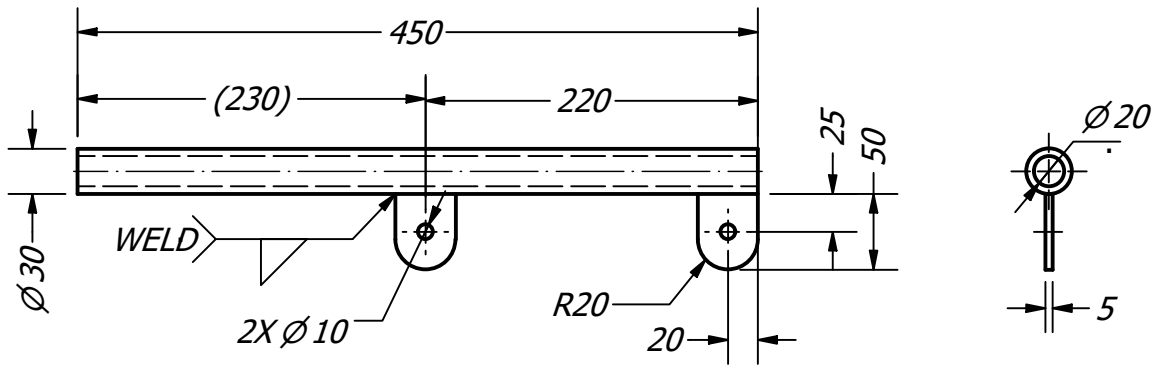
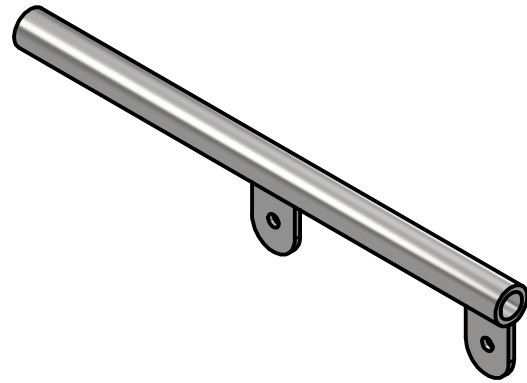
14. TOL  $\pm 0.1$   GERINDA-BOR



|                             |    |             |        |           |                  |                      |   |
|-----------------------------|----|-------------|--------|-----------|------------------|----------------------|---|
|                             |    | 1           | ENGSEL | 14        | Steel,<br>Carbon | 30X382X5             | DIBUAT  |
| JUMLAH                      |    | NAMA BAGIAN |        | NO BAGIAN | BAHAN            | UKURAN               | KETERANGAN  |
| III                         | II | I           |        |           |                  |                      |  |
|                             |    |             | ENGSEL |           |                  | SKALA<br>1:5         | Digambar<br>Diperiksa   |
| POLITEKNIK NEGERI SRIWIJAYA |    |             |        |           |                  | DRAME/NO8/6/23/MESIN |   |

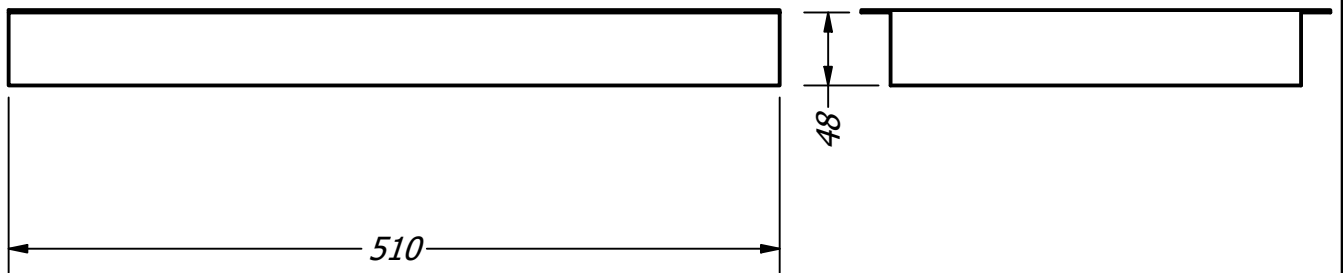
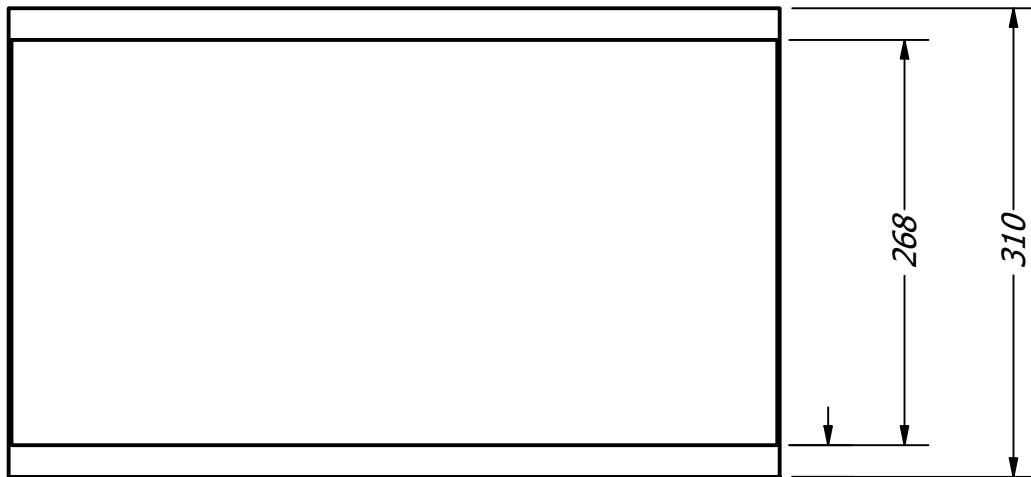
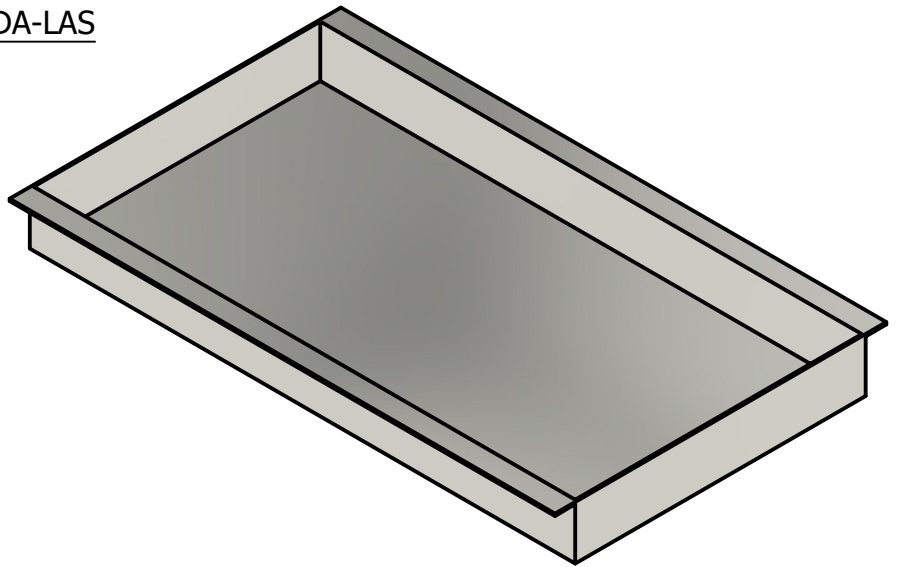


15. TOL  $\pm 0.1$   $\nabla$  N7 GERINDA-LAS-BOR



|                             |    |   |             |           |                  |                                   |            |           |  |  |
|-----------------------------|----|---|-------------|-----------|------------------|-----------------------------------|------------|-----------|--|--|
|                             |    | 1 | HANDLE      | 15        | Steel,<br>Carbon | $\phi 30 \times 451 -$<br>40X52X5 | DIBUAT     |           |  |  |
| JUMLAH                      |    |   | NAMA BAGIAN | NO BAGIAN | BAHAN            | UKURAN                            | KETERANGAN |           |  |  |
| III                         | II | I | HANDLE      |           |                  |                                   |            |           |  |  |
|                             |    |   |             |           |                  |                                   | SKALA      | Digambar  |  |  |
|                             |    |   |             |           |                  |                                   | 1:5        | Diperiksa |  |  |
| POLITEKNIK NEGERI SRIWIJAYA |    |   |             |           |                  | DRAME/NO9/6/23/MESIN              |            |           |  |  |

16. TOL  $\pm 0.1$   $\nabla$  N7 GERINDA-LAS



|                             |    |             |           |           |                  |                       |            |  |
|-----------------------------|----|-------------|-----------|-----------|------------------|-----------------------|------------|--|
|                             |    | 1           | WASTE BOX | 16        | Steel,<br>Carbon | 1200X2400X1.8         | DIBUAT     |  |
| JUMLAH                      |    | NAMA BAGIAN |           | NO BAGIAN | BAHAN            | UKURAN                | KETERANGAN |  |
| III                         | II | I           |           |           |                  |                       |            |  |
| WASTE BOX                   |    |             |           |           |                  | SKALA                 | Digambar   |  |
|                             |    |             |           |           |                  | 1:5                   | Diperiksa  |  |
| POLITEKNIK NEGERI SRIWIJAYA |    |             |           |           |                  | DRAME/NO10/6/23/MESIN |            |  |