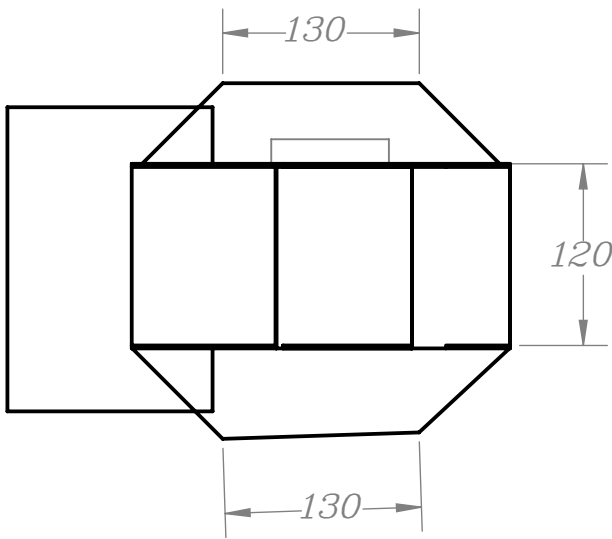
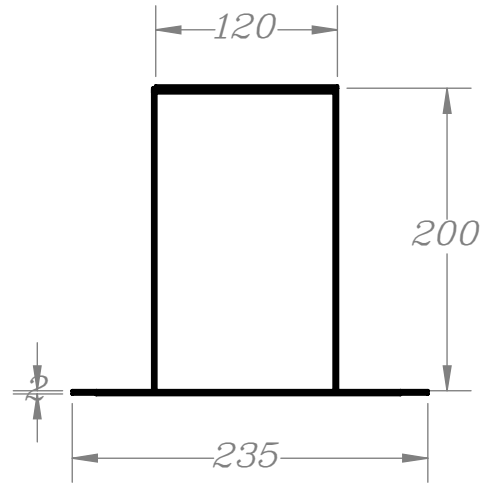
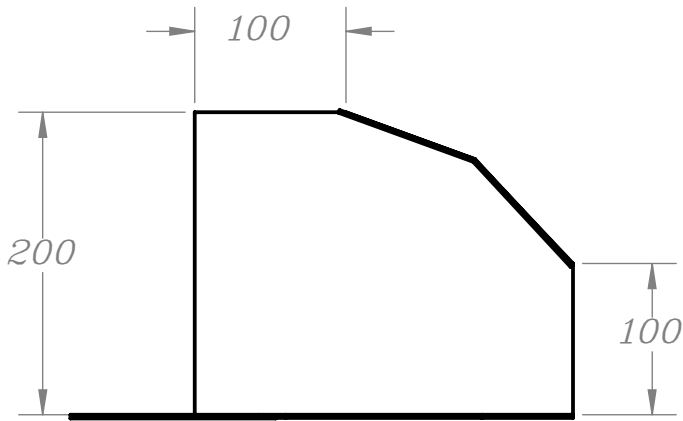


UNLESS OTHERWISE SPECIFIED: DIMENSIONS ARE IN MILLIMETERS SURFACE FINISH: TOLERANCES: LINEAR: ANGULAR:		FINISH:		DEBUR AND BREAK SHARP EDGES		DO NOT SCALE DRAWING		REVISION	
DRAWN		SIGNATURE		DATE		TITLE:			
CHK'D									
APPV'D									
MFG									
Q.A				MATERIAL:		DWG NO.		RANGKA DEPAN	
								A4	
				WEIGHT:		SCALE:1:1		SHEET 1 OF 2	



Jumlah	Nama Bagian	No.Bag	Bahan	Ukuran	Keterangan	
1	Rangka depan	1	Fe360	240X250	Dibuat	
III	II	I	Perubahan:			
SUB BAGIAN RANGKA BAGIAN DEPAN				Digambar	1/7/2014	TEAM
				Diperiksa		AZHAR RSD
POLITEKNIK NEGERI SRIWIJAYA				DRAW. ME 1/7/2014		

