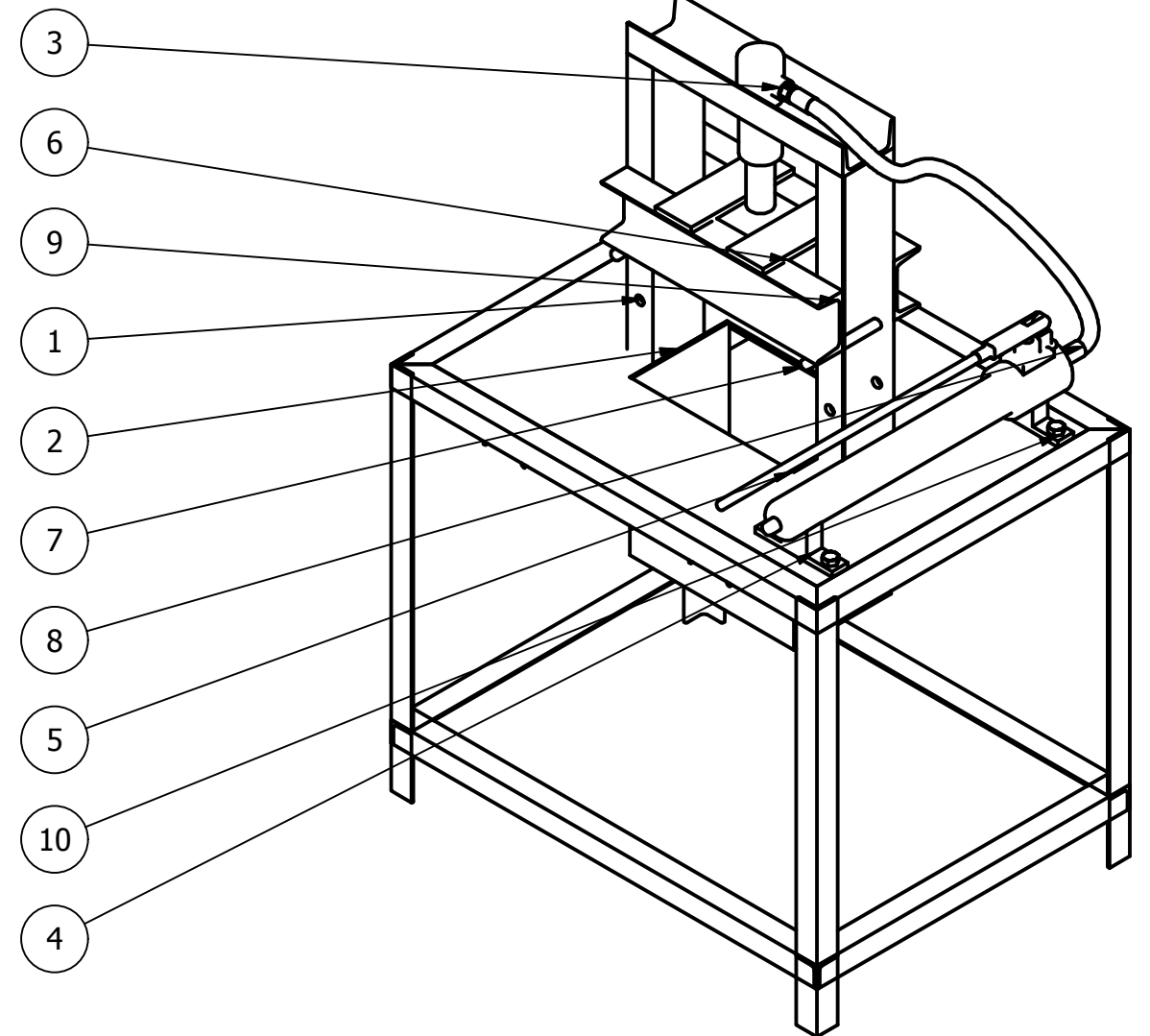
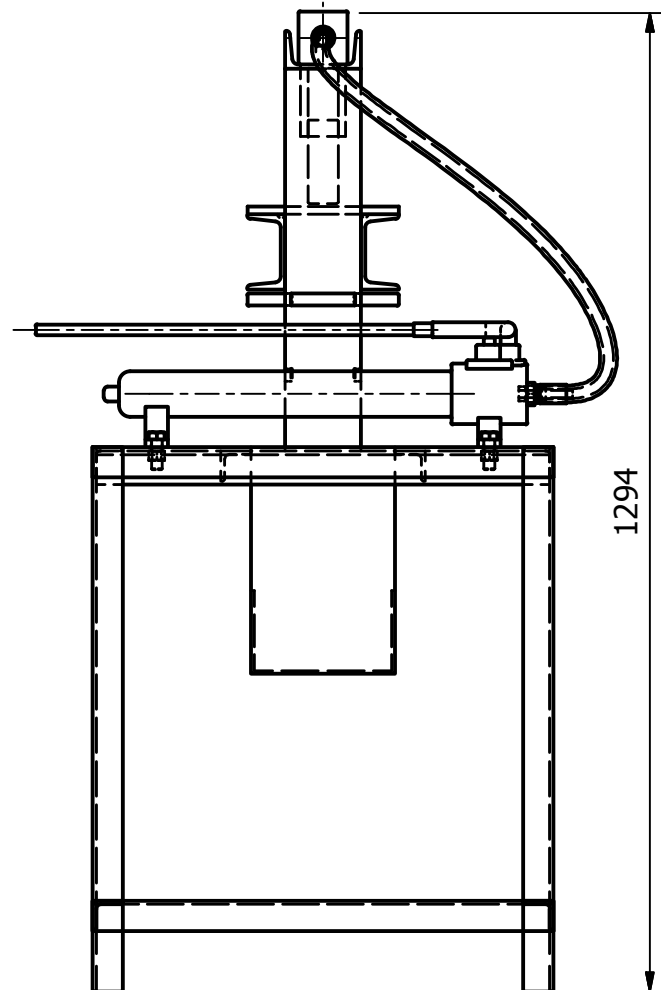
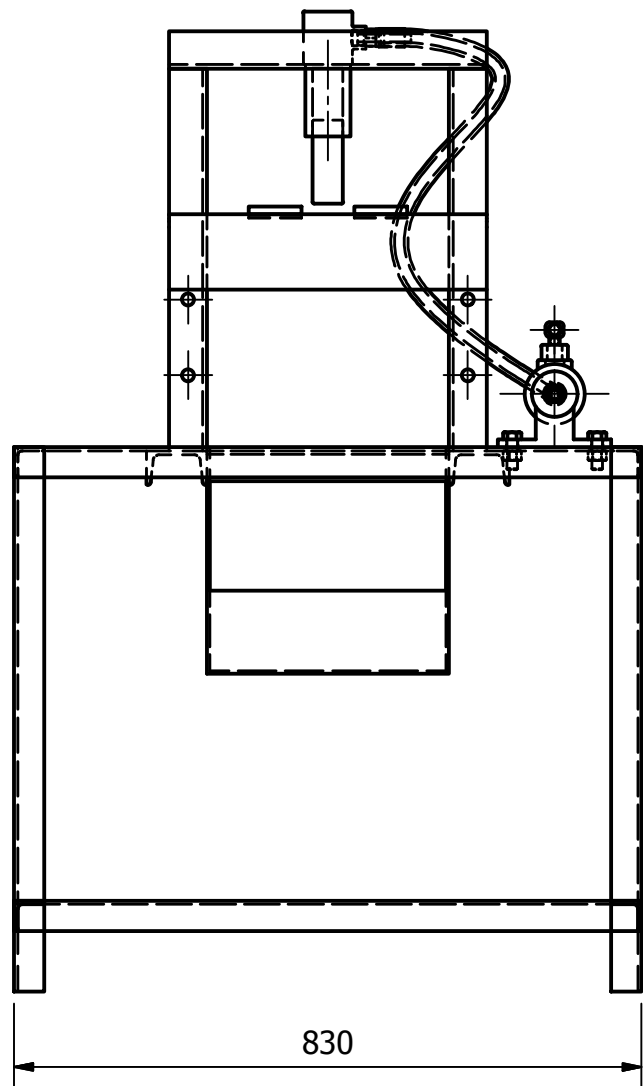
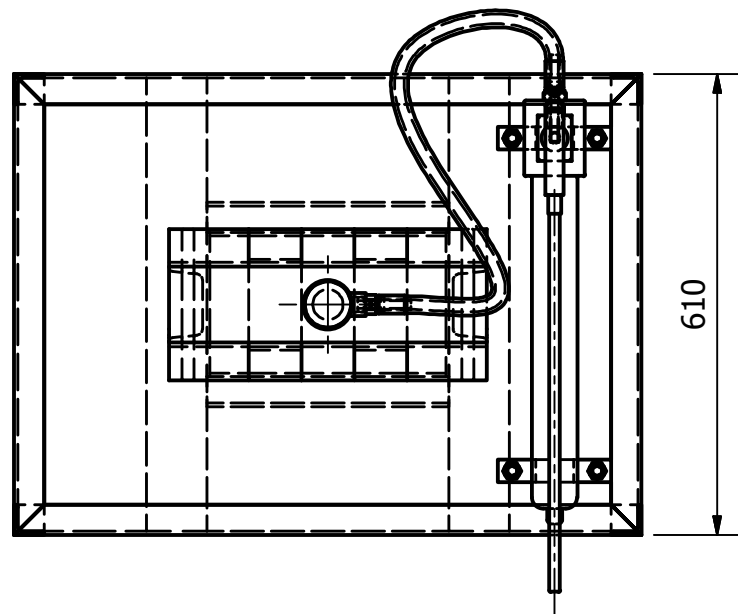


TOL ±0.01



	4	Baut dan Mur	10	Steel-Mild	M14x2	Dibeli
	2	Penahan	9	Steel-Mild	C H1100x10-500	Dibeli
	1	Hose	8	Steel-Mild	Ø 1/2"-1000	Dibeli
	2	Pin	7	Steel-Mild	Ø16x200	Dibuat
	2	Plat Penahan Bearing	6	Steel-Mild	10x80x210	Dibuat
	1	Kotak bearing	5	Steel-Mild	4x200x1500	Dibuat
	1	Hand Pump	4	Steel	150x150x570	Dibeli
	1	Hydraulic Cylinder	3	Steel	Various	Dibeli
	1	Plat Meja	2	Steel	5x532x752	Dibuat
	1	Rangka	1	Steel-Mild	Various	Dibuat

Jumlah	Nama Bagian Part Name	No. Bag Part No	Bahan Material	Ukuran Size	Keterangan Remark						
III	II	I	Perubahan Revision								
GENERAL ASSEMBLY				Skala Scale 1 : 10	<table border="1"> <tr> <td>Digambar Drawn</td> <td>01/04/14</td> <td>TEAM</td> </tr> <tr> <td>Diperiksa Checked</td> <td>01/05/14</td> <td>TRI/SF</td> </tr> </table>	Digambar Drawn	01/04/14	TEAM	Diperiksa Checked	01/05/14	TRI/SF
Digambar Drawn	01/04/14	TEAM									
Diperiksa Checked	01/05/14	TRI/SF									
Politeknik Negeri Sriwijaya Jl. Sriwijaya Negara Besar Palembang Web Site : www.polsri.ac.id				DRAME INV G.ASSEMBLY No.000 /2014							

