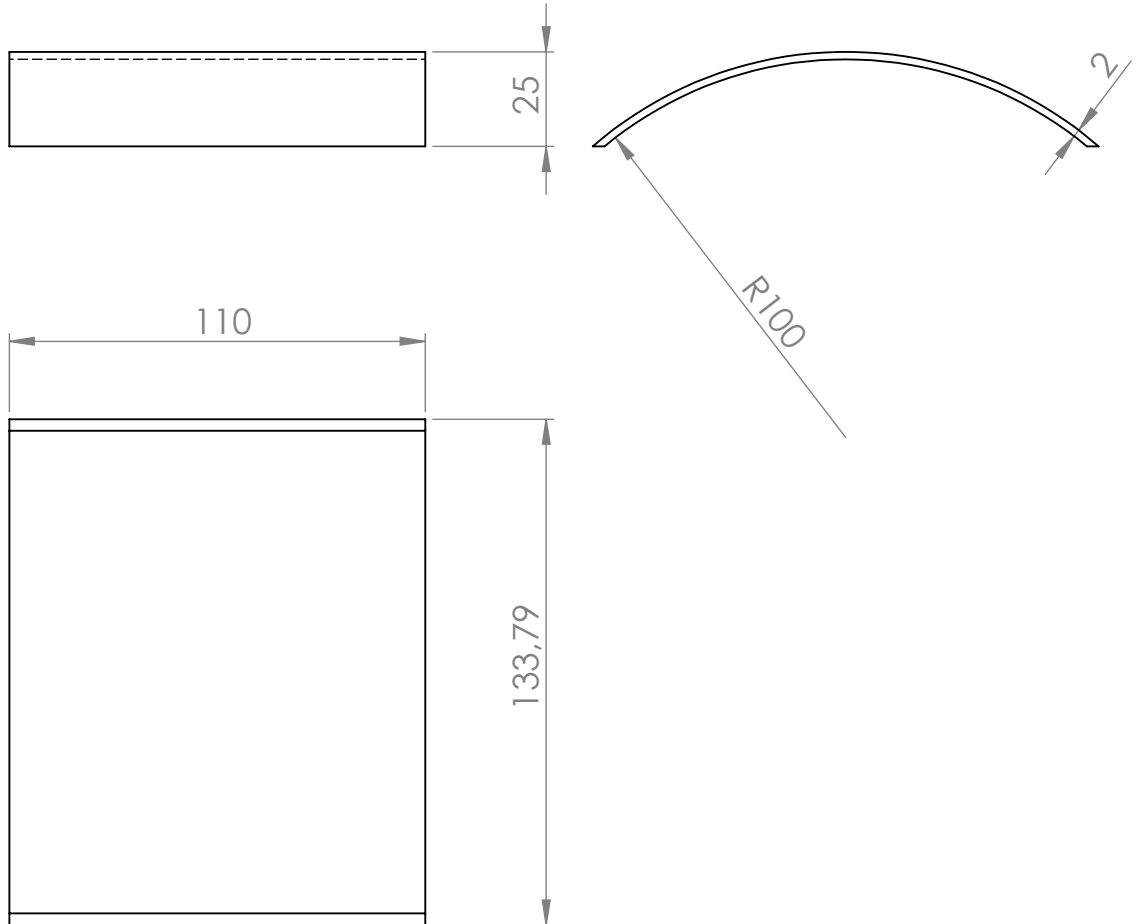


NO.2 TOL  $\pm 0.1$  GRINDING BENDING



|                                    |    |   |                     |                   |              |                            |                   |      |
|------------------------------------|----|---|---------------------|-------------------|--------------|----------------------------|-------------------|------|
|                                    |    | 1 | PEMANAS PIPA        | 2                 | ALUMINIUM    | 134 x 110 x 25             | Dibuat            |      |
| <b>Jumlah</b>                      |    |   | <b>Nama Bagian</b>  | <b>No. Bagian</b> | <b>Bahan</b> | <b>Ukuran</b>              | <b>Keterangan</b> |      |
| III                                | II | I | Perubahan :         |                   |              |                            |                   |      |
|                                    |    |   | <b>PEMANAS PIPA</b> |                   |              | Skala :                    | Digambar          | TEAM |
|                                    |    |   |                     |                   |              |                            |                   |      |
| <b>POLITEKNIK NEGERI SRIWIJAYA</b> |    |   |                     |                   |              | <b>DRA ME NO.2/TA/2017</b> |                   |      |