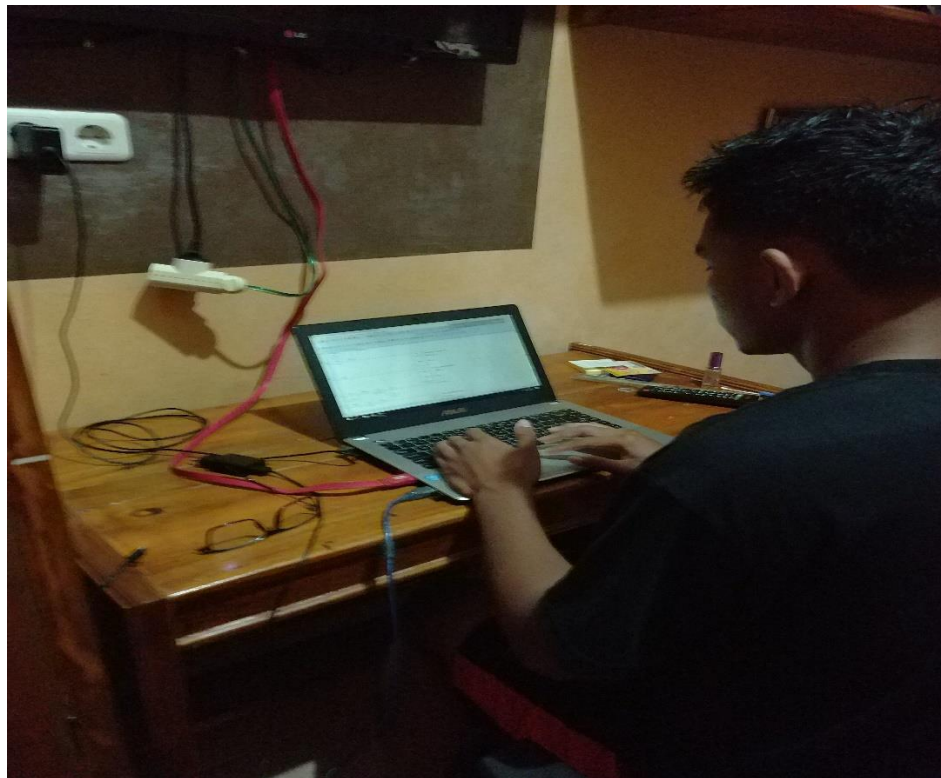
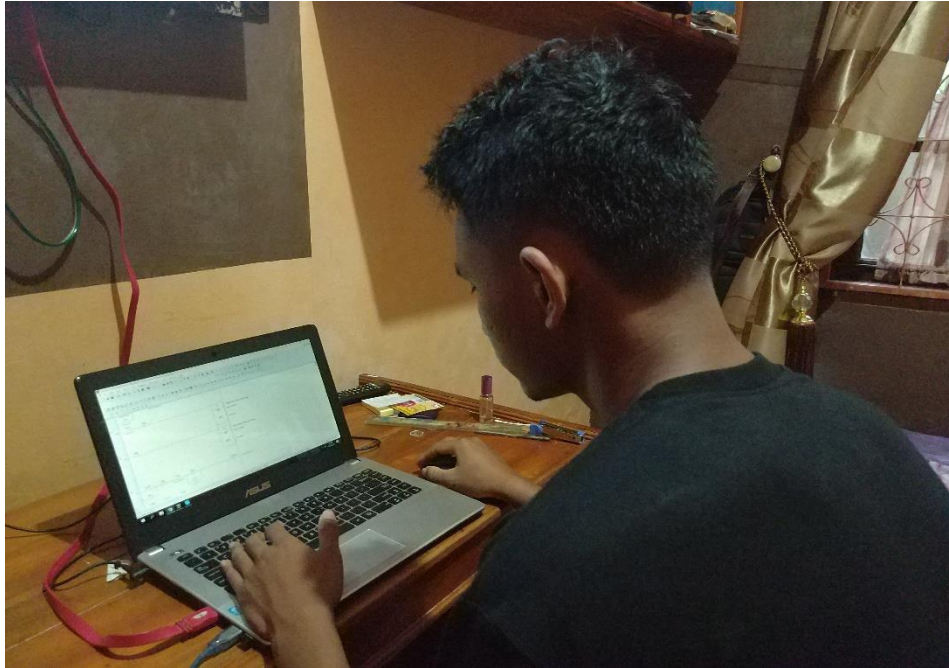




## LAMPIRAN

### Lampiran 1. Foto - Foto Pembuatan Program PLC (*Programmable Logic Controller*)





**Lampiran 2. Foto - Foto Rancang Bangun Kelistrikan Untuk Kontrol  
Penerangan, Relay dan *Programmable Logic Controller* (PLC)**









**Lampiran 3. Foto - Foto Rancang Bangun Mekanik**

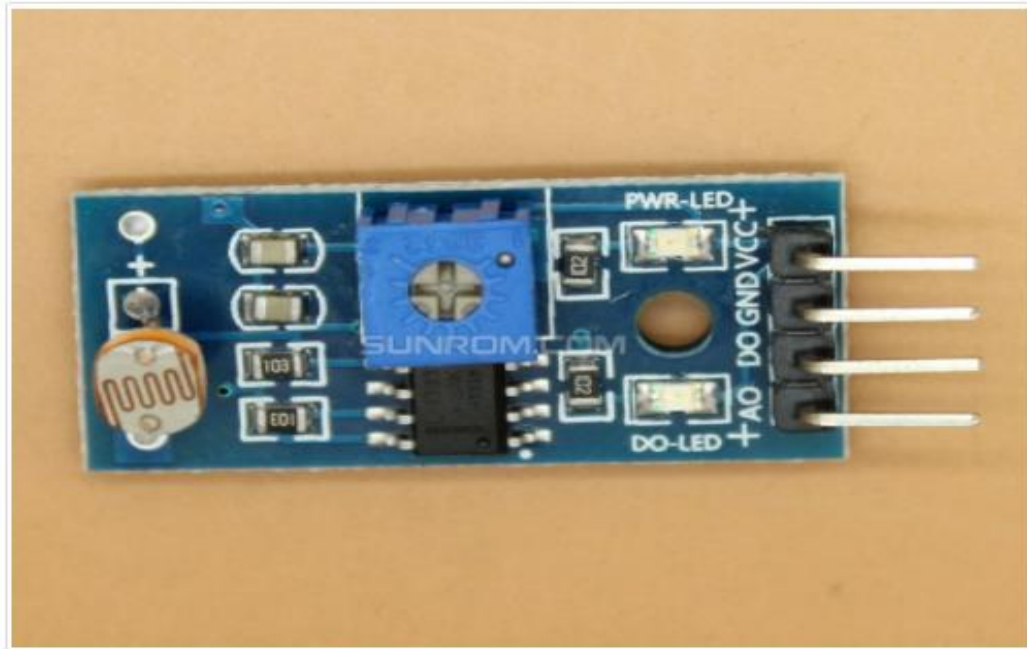






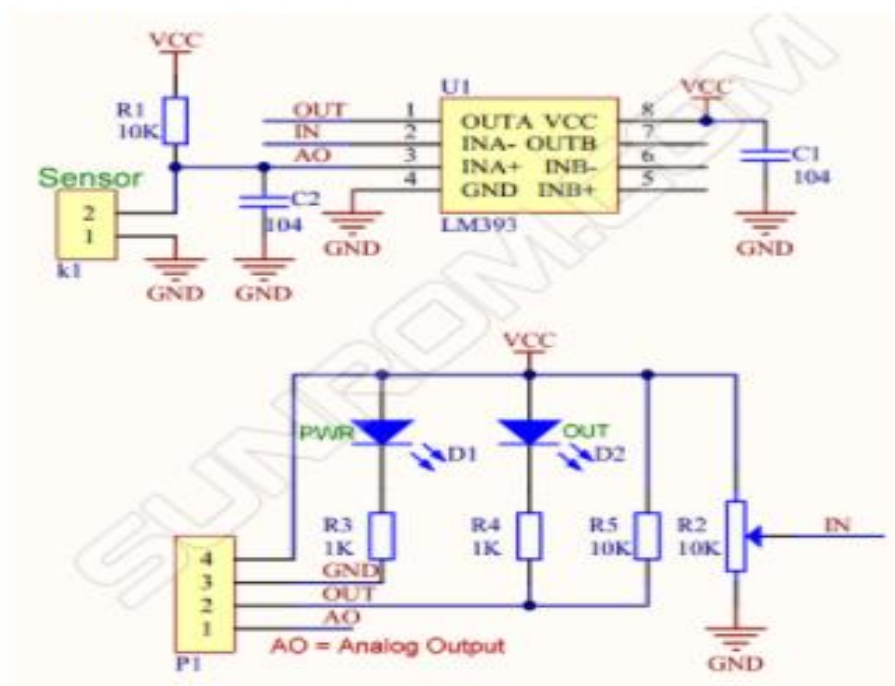
## Light Sensing Module - LDR

Detects if there is light or dark around, adjustable digital output trigger level, Analog+Digital output



### Specifications

- Operating Voltage: 3.3V to 5V DC
- Operating Current: 15ma
- Output Digital - 0V to 5V, Adjustable trigger level from preset
- Output Analog - 0V to 5V based on light falling on the LDR
- LEDs indicating output and power
- PCB Size: 3.2cm x 1.4cm
- LM393 based design



### Pin details

- VCC = 3.3V to 5V DC
- GND = Ground
- DO = Digital Output
- AO = Analog Output









*Politeknik Negeri Sriwijaya*

---









