

XIAMEN AMOTEC DISPLAY CO.,LTD

	,-.%	/%
0%0%/12 3/-%,%%4		!"5" !
6%7%/12	<i>Chen</i>	!"5" !
0089%/12	<i>ye</i>	!"5" !

""	8)! ! ""		
----	----------	--	--

!"#	\$%"
): ;)*)< /8 #' 1)> 0)* ? 8 *))) %)))))) ,))* /*+))))*)	\$ \$ = @ 5! 5! 5\$

A+*)<

5= !5

"\$!&'"

5#B)

!5))C!* + \$= ;0.<)

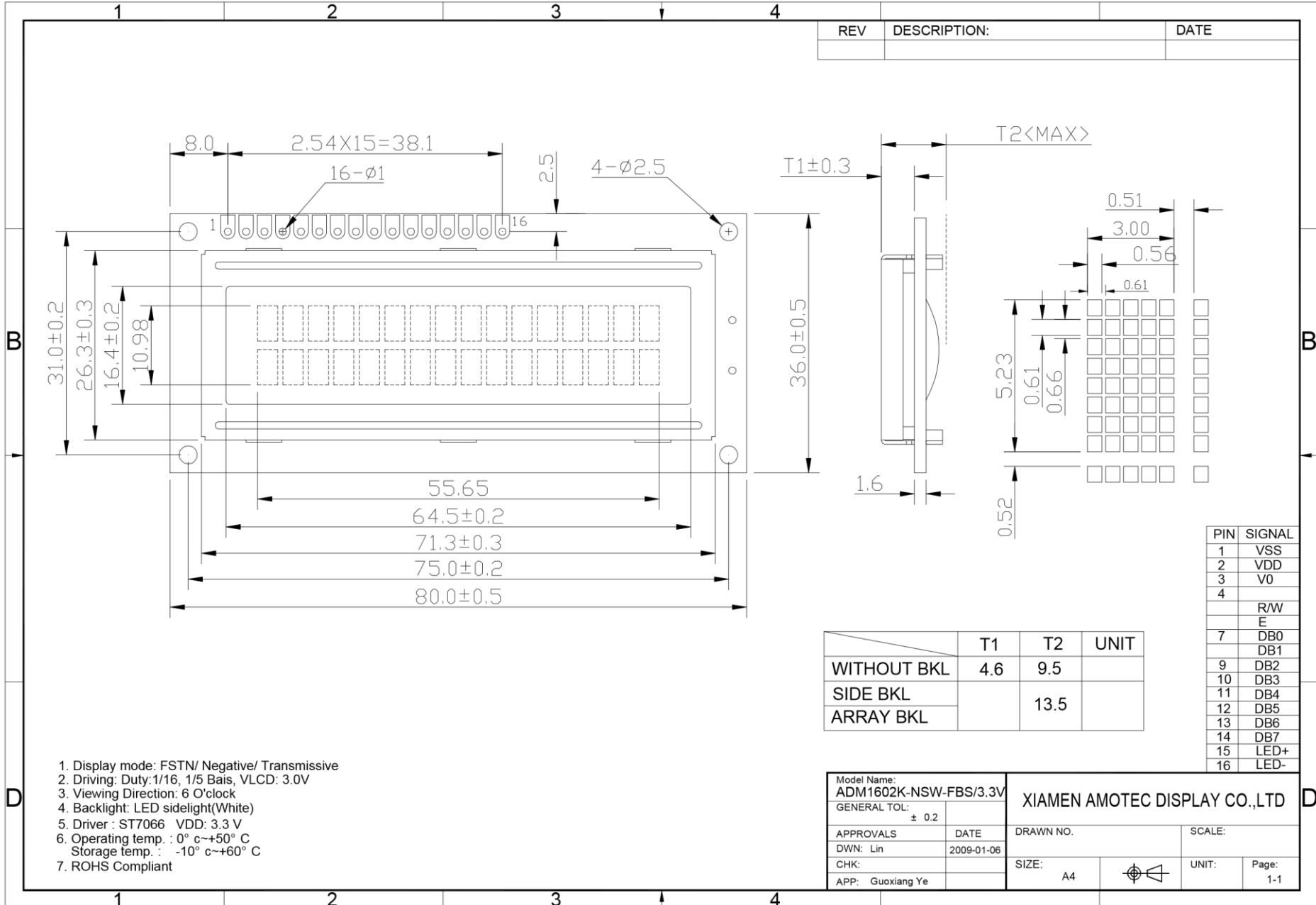
=1)3@"EF4

/*+;:1)>'9

86*

!)**			
		'F	
	2B	-+	1'F
+","-+'".!+/0	8G))>	5!8G))>	
"\$/1\$'+2"	<)F	<)F	F
\$.31+%4!)**	D%/	%D	,0B
		D	%#0B
\$.31+%4!/1/'	H	1	2B
"#*" '\$!&' "\$0%"		H	*H
!/.+'.&+!	1	1	
/&.4('""0	H	H	
/0!!)**	%'*	%'%*	%'
;&	""3D4C\$ "3H4C;#5\$364		
9B'	= 3D4C5=3H4		
) &	\$""3D4C!\$3H4		
)*)	\$53D4C @3H4		
H'	**#		

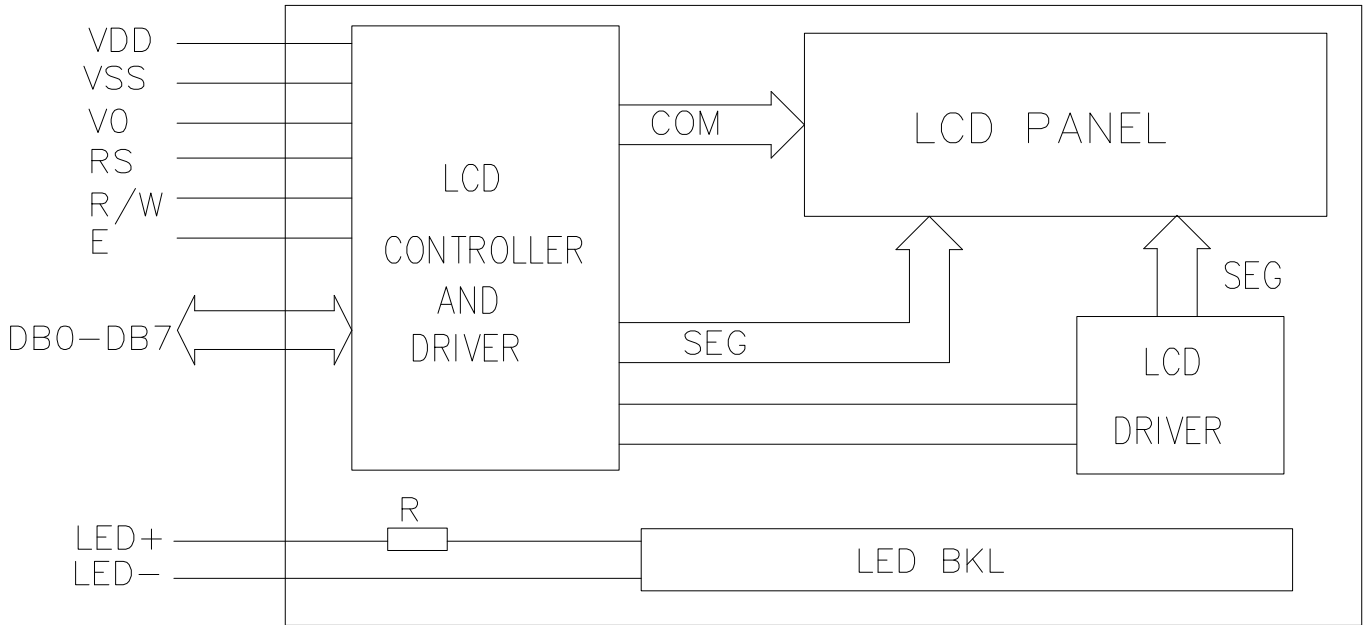
Outline dimension



5 6(/1&!"#§7+##&'§!+0%(

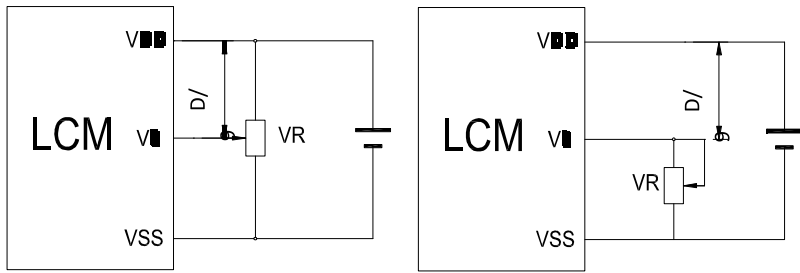
!"#)#6/1	!\$0-\$'-			0+!
0BF'	9//9	"		@"	9
,*F'	9,	9		9//	
8**'	980	"		"	
'**'	9	5"		"	

8 1/.3-+§%'§#



0!"9\$. " *+0-('.*!+ /0

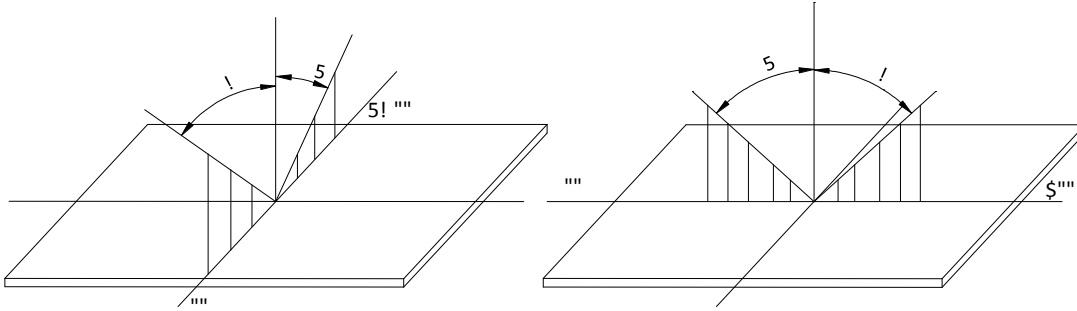
+00/)#6/1	7!"0\$1 ./00".!+ /0	&0.!+ /0
5	9	0B**+	"<D;
!	9//		0 B**+<'<D;
\$	9"		?
=		;0.	'y'
	JH	;0.	JB)'
	%	;0.	8 *3JB4'
@05"	/1"0/1\$;0.	B) .<<B;0.D; <'=*
5505=	/1=0/1@	;0.	') .<<B;0.
5	D%/	D%/17D*B **+	0 B**+<17D
5	D%/		0 B**+<17D



9 // 9 " D // F ' F'

9 5 " > O ! " >

: * ! + . \$ 1.4 \$ ' \$. ! " " + (! + . (



+ * * + 3 P !

M 9 // P \$ \$ 9 4

! "#) # 6 / 1	/ 0 - + ! + / 0	+ 0) *	\$ 7	0 + !
9 B "	5	\$! "		'
	!		= "			
	5		\$			
	!		\$			
			5 "			
* 3 4				! " " "	! "	
* 3 < 4				\$ " " "	\$ "	

; 1 " . ! ' + . \$ 1.4 \$ ' \$. ! " " + (! + . (

/))

\$ ' \$ # " ! " ") # 6 / 1	/ 0 - + ! + / 0 (+ 0) *	\$ 7	0 + !
** + F ' < D /	9 // 9 "	P !		\$ "		9
, * F'	9 //		\$ 5	\$ \$	\$	
** +)	, //	P ! M 9 // P \$ \$ 9		5	!	
, * > ')	, D 7 -				5 "	
Q 6 R F * F'	9, 6		!!		9 //	9
Q D R F * F'	9, D	B) F	"		"	
Q 6 R F * F'	9 8 6	D 8 6 P " !	! =			
Q D R F * F'	9 8 D	D 8 6 P 5			" =	
1) > ' ** + F'	9			\$ "		
1) > ' ** +)	, D % /	9 D % / P \$ \$ 9 P !			5	

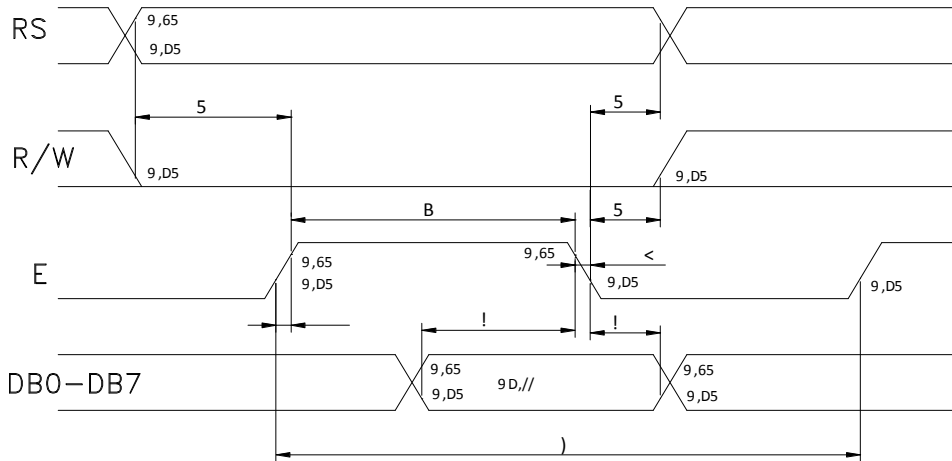
+ # + 0 % 4 \$ ' \$. ! " " + (! + . (

H) +) 3 P ! M 9 // P \$ \$ 9 4

\$ ' \$ # " ! " ") # 6 / 1	" (! * + 0	+ 0) *	\$ 7	0 + !
-------------------	-----------	-------------	-----	-----	------	-------

%) +))	%	""		
%) *B	B		\$""		
%) <	M <				!
SJH*	5	SJH SJH	5 ""		
S JH	5		5 "		
* +	!	/1"O/1@	"		
	!		5 "		

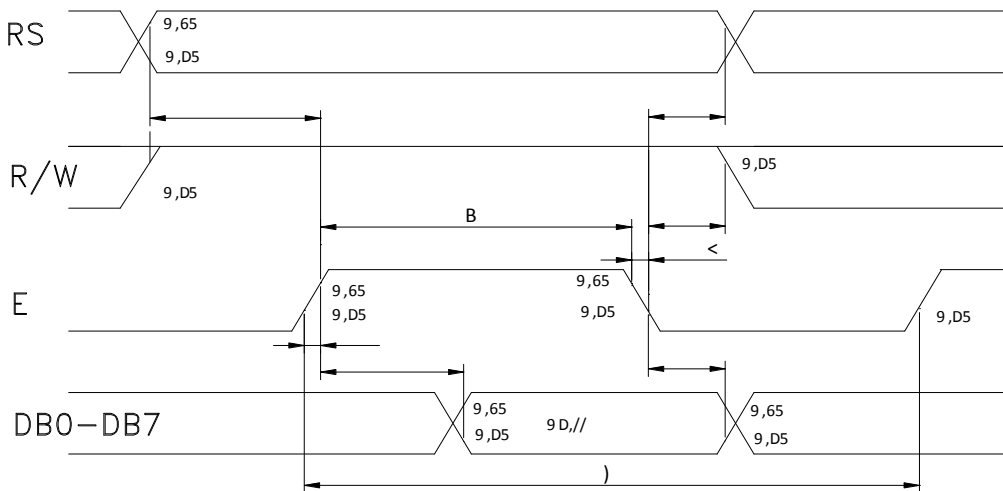
'+!"#/-"!+#+0%-+\$\$%'\$#



) +) 3P!M9//P\$ \$94

\$' \$# " ! ") #6/1	" (! * + 0	+ 0) *	\$ 7	0 +!
%) +))	%	""			
%) *B	B		\$""			
%) <	M <				!	
SJH*		SJH SJH	5 ""			
S JH			5 "			
* +		/1"O/1@	"		"	
			! "			

"\$ - # / - " ! + # + 0 % - + \$ \$ ' \$ #



) (! "# 0 ! "" 9 \$. "

) * B > < < > + * B ; 0 . = =

)+/D)

&()1\$%<=
 H1PQ6'RM)*'*)'#
)))*)1MBPDBJHP6'3,)8*4M
 '/1@*1<#)'#)M1'

--'(/&0!'<=
 34//;J-;M<<<B'3'<4
 //;J-;M)+)3)4+5HPQDBRJHPQ6'RM
 Y'/1"T/1*

5+(*1\$)\$!\$<=
 //;*+<#"#3")4//;
) 3 4#)

/*+*	5	!	\$	=			@			5"	55	5!	5\$	5=	5	5
//;	""	"5	"!	"\$	"=	"	"	"@	"	"	"	"1	"	"/	"%	"
//;	=	=5	=!	=\$	==	=	=	=@	=	=	=	=1	=	=/	=%	=

8 <4\$'\$.!'" "0"'\$!/'=
 -8;#!"=))*#5"\$!))*-8;
 !"=))*<#
 <4\$'\$.!'" "0"'\$!/'=
 -;*UM))1+B'<-;M<))

Character Code (DDRAM Data)								CGRAM Address						Character Patterns (CGRAM Data)									
b8	b7	b6	b5	b4	b3	b2	b1	b0	b5	b4	b3	b2	b1	b0	b7	b6	b5	b4	b3	b2	b1	b0	
0	0	0	0	0	-	0	0	0	0	0	0	0	0	0	-	-	-	1	1	1	1	1	
						0	0	0				0	0	0				0	0	0			
						0	0	0				0	0	0				0	1	0	0		
						0	0	0				0	0	0				0	1	1	0	0	
						0	0	0				0	0	0				1	0	0	0	0	
						0	0	0				0	0	0				1	0	1	0	0	
						0	0	0				0	0	0				1	1	0	0	0	
						0	0	0				0	0	0				1	1	1	0	0	0
						0	0	0				0	0	0				1	1	1	1	0	0
0	0	0	0	0	-	0	0	1	0	0	1	0	0	0	-	-	-	1	1	1	1	0	
						0	0	1				0	0	1				0	0	1			
						0	0	1				0	1	0				0	1	0	0	1	
						0	0	1				0	1	1				0	1	1	0	0	
						0	0	1				0	1	1				0	0	0	0	0	
						0	0	1				0	1	1				0	1	0	1	0	
						0	0	1				0	1	1				1	0	0	0	1	
						0	0	1				0	1	1				1	0	0	0	1	
						0	0	1				0	1	1				1	1	1	0	0	

"1\$!+/0(4+*6"!,""0 --'(("(>4\$'\$.!"/-("<=\$0-4\$'\$.!""*\$!!'"0(<\$!\$=
 /!("
 5))"!)*-;\$3\$+*4
 !-;"!)**)* *+<+')8B); M)*') *+*M")*+,< 5M5B*' '<
)*)

\$)*B*)*-, "=3='<4
=BM-;))*B)))=@"6BFM
)))\$<<)M*+##*F))+)))
""6"6
5<-;)*+)"
QQ,)<<)

?&'(/'1+03/0!'/1+'.&+!
,))J>8J8)*

:&!1+0"
F)*<<B))><@";0.)>M@"
<+'<,</*
))''<;0.M)*<JB3<@4
,))F'+<'*
54 @"<))3*+M 'M)4
!4);
\$4 /<B;
=4 8
<;+)))+5

'*M+<'3/1@4Q6'R
1 +<'>)*+##)

;0(!'&.!+/0\$61"



8%

H;0.*'B))>'+<'3/1@4M)+5J!<)+<#)'#)+<'<Q%R'<+<'3/1@4'

QDBR

/0!"0!(

54 *+

	JH	/1@	/1	/1	/1=	/1\$	/1!	/15	/1"
"	"	"	"	"	"	"	"	"	5

++B'Q!"6R3)4//;M//;

Q""6R3)4

)'M+M')<'<<*

;>+)3,J/PQ6'R4

!4

	JH	/1@	/1	/1	/1=	/1\$	/1!	/15	/1"
"	"	"	"	"	"	"	"	5	

))

0(!'&.!+/0./-"	0(!'&.!+/0./-"										"(.'+*!+/0	7".&!+/0 !+ #"<9/(!.@ ?A
			?		8	5						
/*+	"	"	"	"	"	"	"	"	"	5	HQ!"6R// ///;Q""6R<	5 \$
6	"	"	"	"	"	"	"	"	5		//;Q""6R ,)*<< ><//; '	5 \$
%+	"	"	"	"	"	"	"	5	,J/	6	'F') ><*+	\$
/*+8J 8)	"	"	"	"	"	"	5	/		1	*+3/4M)34M 1 ><)314J <<	
/*+<	"	"	"	"	"	5	J	JD)F'*+ <)M)MB)'< //;	\$
)	"	"	"	"	5	/D					<)'3/D 1J=4M<*+ D3P!J54M /*+<+*3#55J#4	\$
-;	"	"	"	5	=	\$!	5	"		-;	\$
//;	"	"	5		=	\$!	5	"		//;	\$
+ '	"	5	1		=	\$!	5	"		H' 8 *)>B 1+'1)<)	"
H	5	"	/@	/	/	/=	/ \$	/!	/5	/"	H; 3//;J-;4	= \$
;	5	5	/@	/	/	/=	/ \$	/!	/5	/"	<; 3//;J-;4	= \$

//;Q""6R)
)'+*M<<
 <//;)'

\$4 %+

	JH	/1@	/1	/1	/1=	/1\$	/1!	/15	/1"
"	"	"	"	"	"	"	5	,J/	6

F')<)*+

+0.'"#0!-".'"#0!/9\$--'"((<.&'(/'/'61+03=
 H,J/PQ'RM)J>F'//;)+5
 H,J/PQDBRM)J>F<//;)+5
 C-;*B+//;MB'<B'-;
 (4+9!/9"0!+"-+(*1\$)
 H//;3-;JB4*6PQDBRM<'<*+*,< 6PQ6'R//;B*M<<*+*+))',J/F3,J/PQ'R
 <<M,J/PQDBR<'4

=4 /*+8J8)

	JH	/1@	/1	/1	/1=	/1\$	/1!	/15	/1"
"	"	"	"	"	"	5	/		1

*+J)J>8J85'

+(*1\$)./0!'/16+!
 H/PQ6'RM*+ H/PQDBRM*+<<M*+//;

.&'(/'./0!'/16+!
 H/PQ6'RM)
 H/PQDBRM)**)*+M,J/'*F

&'(/'61+03./0!'/16+!
 H1PQ6'RM)>MB)*<+BQ6'R*+
)**
 H1PQDBRM><<

4 *+<

	JH	/1@	/1	/1	/1=	/1\$	/1!	/15	/1"
"	"	"	"	"	5	J	JD		

<'<J<)**+BB''<*+
)))**+
 /!*+M)F!<="<5
 +<+<+
 H*+<*+M)<F+
 H*+<*+M)<))'

4+9!*\$!!"0(\$./'-+0%!/50-6+!(

		*"\$!+0
"	"	<)<M)+5
"	5	<)'M)+5
5	"	<*+<M)F))'*+
5	5	<*+'M)F))'*+

4)

	JH	/1@	/1	/1	/1=	/1\$	/1!	/15	/1"
"	"	"	"	5	/D				

0!"9\$. "-\$!\$1"0%!4./0!'/16+!

H/DPQ6'RMB;0.

H/DPQDBRM=B;0.6)M/D')=

H=M<=B)

+(*1\$)1+0"0""./0!'/16+!

HPQDBRM5*+ HPQ6'RM!*+

+(*1\$)1+0"0""./0!'/16+!

HPQDBRM#<*+

HPQ6'RM#55 <*+

@4 -;

	JH	/1@	/1	/1	/1=	/1\$	/1!	/15	/1"
"	"	"	5		=	\$!	5	"

-;

)>-;F<;0.

4 //;

	JH	/1@	/1	/1	/1=	/1\$	/1!	/15	/1"
"	"	5			=	\$!	5	"

//;

)>//;F<;0.

H5*+3PD8H4M//;<Q""6RQ=6R,!*+3P6'4M //;5<Q""6RQ!@6RM//;!<Q="6R

Q@6R

4 +<':

	JH	/1@	/1	/1	/1=	/1\$	/1!	/15	/1"
"	5	1			=	\$!	5	"

)BBOD@"/*

,<1Q6'RM**'B1D8HMB)+

))*<,+)F<)

5"4 H;

	JH	/1@	/1	/1	/1=	/1\$	/1!	/15	/1"
5	"	/@	/	/	/=	/ \$	/!	/5	/"

H+//;J-;

)<;<//;M-;M+*F)3//;

M-;4

);));

<B*)+J)+5M))'+

554 <;

	JH	/1@	/1	/1	/1=	/1\$	/1!	/15	/1"
5	5	/@	/	/	/=	/ \$	/!	/5	/"

+<//;J-;

)<;+*F),<); *<<)M<FM)< +,<;FB;)<M*M));<)1<B))M ' <;

),<//;*M)<)*+//;)M<;*'
<*M)))+J)+5))'+

< -; *M* + < + #)) +

8%,) < ; B * M) J) + 5 *

M) # * M + * F) +

)

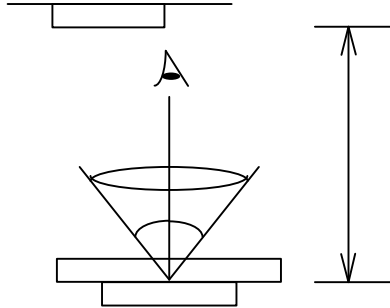
!\$0-\$'-.4\$'\$.!'"*\${!}'"0

Upper 4bit Lower 4bit	!\$0-\$'-.4\$'\$.!'"*\${!}'"0															
	LLLL	LLLH	LLHL	LLHH	LHLL	LHLH	LHHL	LHHH	HLLL	HLLH	HLHL	HLHH	HHLL	HHLH	HHHL	HHHH
LLLL	CG RAM (1)															
LLLH	(2)															
LLHL	(3)															
LLHH	(4)															
LHLL	(5)															
LHLH	(6)															
LHHL	(7)															
LHHH	(8)															
HLLL	(1)															
HLLH	(2)															
HLHL	(3)															
HLHH	(4)															
HHLL	(5)															
HHLH	(6)															
HHHL	(7)															
HHHH	(8)															

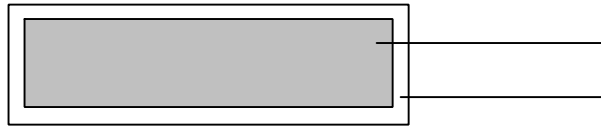
B

; < **) *) * < ! " H # ! <) * /) B D ; <) * 5 " ") /) B D ; *) + \$ ")

9 B ') < *) = < F ' D ;



/ < < &



L) F * + 3 F B ' 4
1 L) F * + 3 F B ' 4

A D *)

* ' ; , D / 5 " % M D F , , M ' * ')

/ <) <) < / ! " C + (0 / ! + 0.1 & - + 0 % =

< +	,			A D
; ?	/ * +	*))	5	"
		D > ')		
) > ')		
		* +		
		H ' F B ')		
		<) 3 M ' 4	!	

		1)>'	5 M	
	*+) *F	5 "	
		H'')*	55	
;	/*+	1)>')F	!	5 "
		1)>*	\$	
		D<M))	=	
		B		
		*		
		0	@	
		0	5!	
	0&	1<'	\$	
	,	0))		
	H	0))	5 "	
1	0M1''	5 \$		

/!"/0-"9".!.1\$(+9+.\$!+/0

	,	
5	*)	B
	D>'	
)>'	

*+

H'FB')

H'1)>'

! <)

<***F*

1)>')
F

\$ 0<)>M
1)>*M
3)'0&4

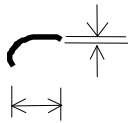
P324J!



%&	!"#\$
\$	'(
\$ \$)	
\$) \$))
\$) \$	
*\$	

= D<)>M

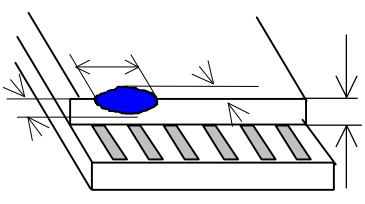
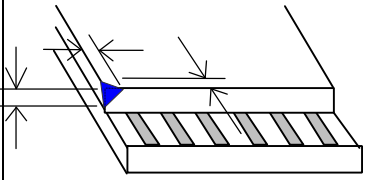
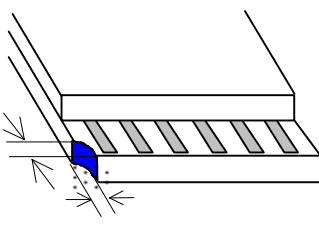
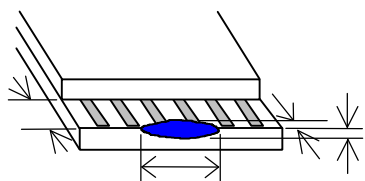
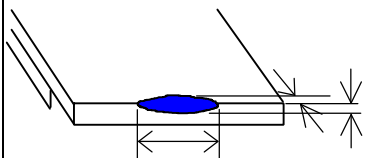
))



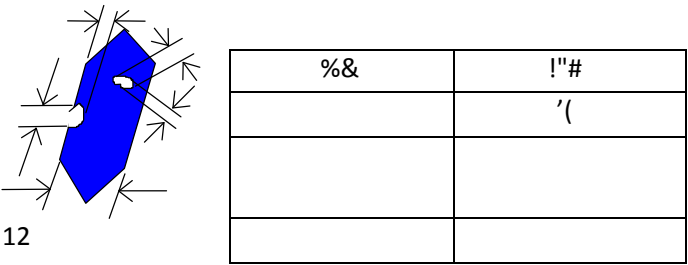
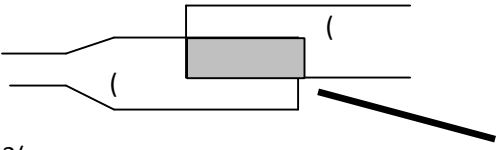
		!"#\$
++	\$	'(
\$	\$)
)\$	\$	
\$	\$	
++	\$	((

B

B))'FB'

<p style="margin: 0;">*</p> <p style="margin: 0;">></p> <p style="margin: 0;">D'</p> <p style="margin: 0;">)</p> <p style="margin: 0;">2</p> <p style="margin: 0;">)</p> <p style="margin: 0;">L)></p> <p style="margin: 0;">)</p> <p style="margin: 0;">></p> <p style="margin: 0;">H</p> <p style="margin: 0;">H</p>	    	<p style="margin: 0;">!</p> <table border="1" style="width: 100%; border-collapse: collapse; text-align: center;"> <tr><td style="width: 33%; height: 20px;"></td><td style="width: 33%; height: 20px;"></td><td style="width: 33%; height: 20px;"></td></tr> <tr><td style="width: 33%; height: 20px;">)</td><td style="width: 33%; height: 20px;">\$</td><td style="width: 33%; height: 20px;">)</td></tr> </table> <p style="margin: 0;">!</p> <table border="1" style="width: 100%; border-collapse: collapse; text-align: center;"> <tr><td style="width: 33%; height: 20px;"></td><td style="width: 33%; height: 20px;"></td><td style="width: 33%; height: 20px;"></td></tr> <tr><td style="width: 33%; height: 20px;">)</td><td style="width: 33%; height: 20px;">\$</td><td style="width: 33%; height: 20px;"></td></tr> </table> <p style="margin: 0;">!</p> <table border="1" style="width: 100%; border-collapse: collapse; text-align: center;"> <tr><td style="width: 33%; height: 20px;"></td><td style="width: 33%; height: 20px;"></td><td style="width: 33%; height: 20px;"></td></tr> <tr><td style="width: 33%; height: 20px;">--./0</td><td style="width: 33%; height: 20px;">)</td><td style="width: 33%; height: 20px;"></td></tr> </table> <p style="margin: 0;">!</p> <table border="1" style="width: 100%; border-collapse: collapse; text-align: center;"> <tr><td style="width: 33%; height: 20px;"></td><td style="width: 33%; height: 20px;"></td><td style="width: 33%; height: 20px;"></td></tr> <tr><td style="width: 33%; height: 20px;">' (</td><td style="width: 33%; height: 20px;">\$)</td><td style="width: 33%; height: 20px;"></td></tr> </table> <p style="margin: 0;">!</p> <table border="1" style="width: 100%; border-collapse: collapse; text-align: center;"> <tr><td style="width: 33%; height: 20px;"></td><td style="width: 33%; height: 20px;"></td><td style="width: 33%; height: 20px;"></td></tr> <tr><td style="width: 33%; height: 20px;"></td><td style="width: 33%; height: 20px;"></td><td style="width: 33%; height: 20px;"></td></tr> </table>)	\$))	\$					--./0)					' (\$)							
)	\$)																														
)	\$																															
--./0)																															
' (\$)																															

--	--	--

<p>@</p>	<p>' * HP'B P324 J !</p>	<p>3540 V"5"))*</p>  <p>12</p> <table border="1" data-bbox="858 398 1321 616"> <tr> <td>%&</td> <td>!"#</td> </tr> <tr> <td></td> <td>'(</td> </tr> <tr> <td></td> <td></td> </tr> <tr> <td></td> <td></td> </tr> </table>	%&	!"#		'(
%&	!"#									
	'(
	<p>1)>'</p>	<p>354)<)>')* *)<) 3!4 B<)>'</p>								
	<p>,</p>	<p>354 BF++01 3 &<+<*<) 4 3!4 8F"W< D</p>  <p>3(</p>								
<p>5"</p>	<p>H</p>	<p>354 **B 3!4 B))>)**B)) 3\$4 BF'*<<) 3=4 B#*)**B<)</p>								
<p>55C</p>	<p>01</p>	<p>354 B)B' 3!4 B'B'*'<)*</p>								

6'*8*	@"	=	**)
DB*	\$"	=	
DB*8*	!"	=	
6+	= " J "W6	=	
*+)	" ! "	5")+))	
	3\$" \$"4		

)F+!:=;FM<)M* <) **<)<

< >B"M"""+*")

3!" 4M+3BW64M#)'

%&#'(#\$
D/JD;?B'<*)/*>

+<)<B'

"0"\$1"..\$&!+/0(
5 D/*<'F#)F)))>***+'
* <)<*+
! * & * + < +))' % #) > B') < < * + <) M B * ' + B) M < > B * * +) M +)
) < M B M >) F)
\$ / * + B + B <
= / > + <) 0 1 B) ' ; 8 %

H'D;M>01+)'

B'%)F+)'*#)<

')<+<

F*' & MB)))<

))M''*#)B*+
@ 1) <) B B E) + ' > < ') + E) +
>) M B < < + B * B

!\$!+.1".!' +. + !)'"..\$&!+/0(
5 ;8D,<))S<*BF J)))B

! />+<))F*)D,*S)**01

<)>B+*+<+

\$ /))<*+BSB)) <)F<

= >*)')<'

8 +**+'
,<))BFM'*F*>

@)*FF)B>'

)
)+)F)MF+<""W)

/1-""+0%"".\$&!+/0(

5 '*<+,J8
!. 'B**''>
\$ '*!" 5 "
= '\$=
)B<#<'

,<<#MD/<*)F* '<#

@ #F

*""\$!+/0"".\$&!+/0(

5FB'')?+F+'D/F'F'9
!)**/F''))))MB)*+M**

*BF<+)BF<)/)*1

)<'F'

\$/F'F'>*B*)<'S#)F'B*+<

=*)B)*

/ *+)+<<)*F*'

7**B*)<'"%#)F*+))*&'M*&*<< '

@''F=" EMF+>*B"W MF

)'

+#+!"-\$''\$0!)

;8% D/)*M+)*+ ;8% G))*)*<M ;8% BD/

)*<<+)*)**

5 +< ;8% **)<B

;8% B*+<E)EF?+' +*)'*+*J .B'B'

B ;8%)M ;8% B+*)*+<D/B) <<F)))+F+B*)))B;8% 'D/

*) 3*FE4

! B+)'<+<*)E)+*+F '1>'M))*&))'B<))F#)<B+

\$, 'D/JD;M+**+*)>'S)*<<<