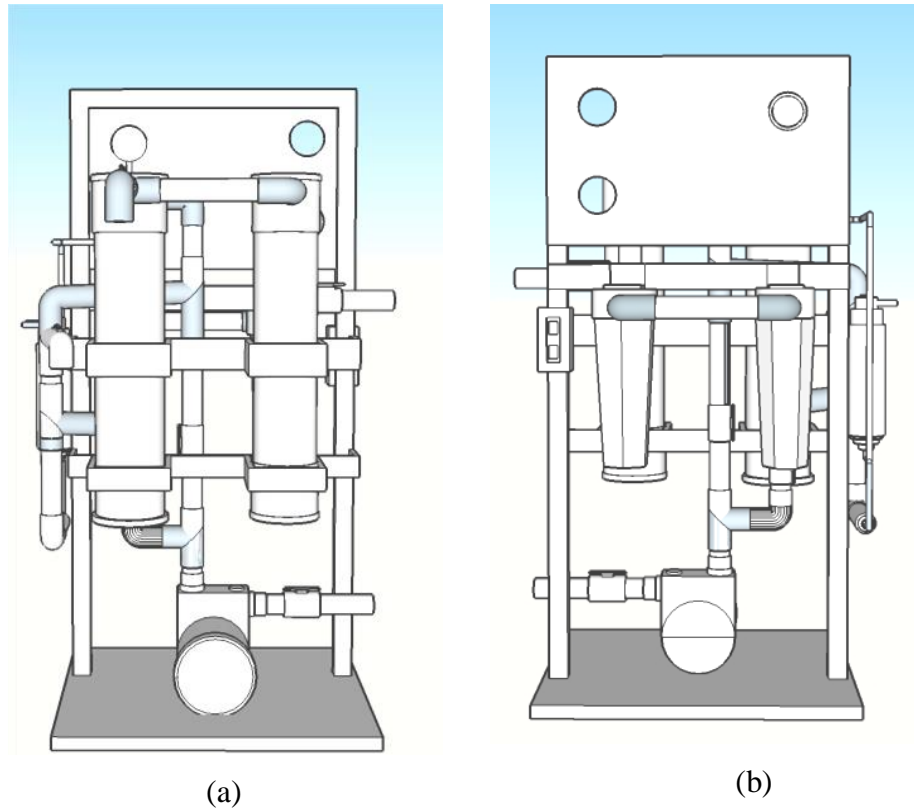


**LAMPIRAN III
GAMBAR**

1. Unit Pengolahan Air Payau.



Gambar 3D. Unit Pengolahan Air Payau. a) Tampak 3D Depan, b) Tampak 3D Belakang





Control Panel



Cartridge Filter



Pompa



Membran Reverse Osmosis

2. Penentuan Dosis Koagulan

Koagulan PAC



Penimbangan Koagulan PAC



Proses Koagulasi

3. Pengolahan Air Payau



