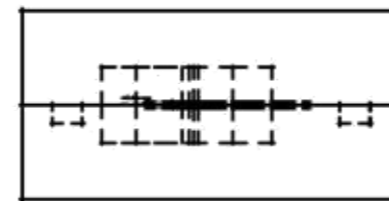
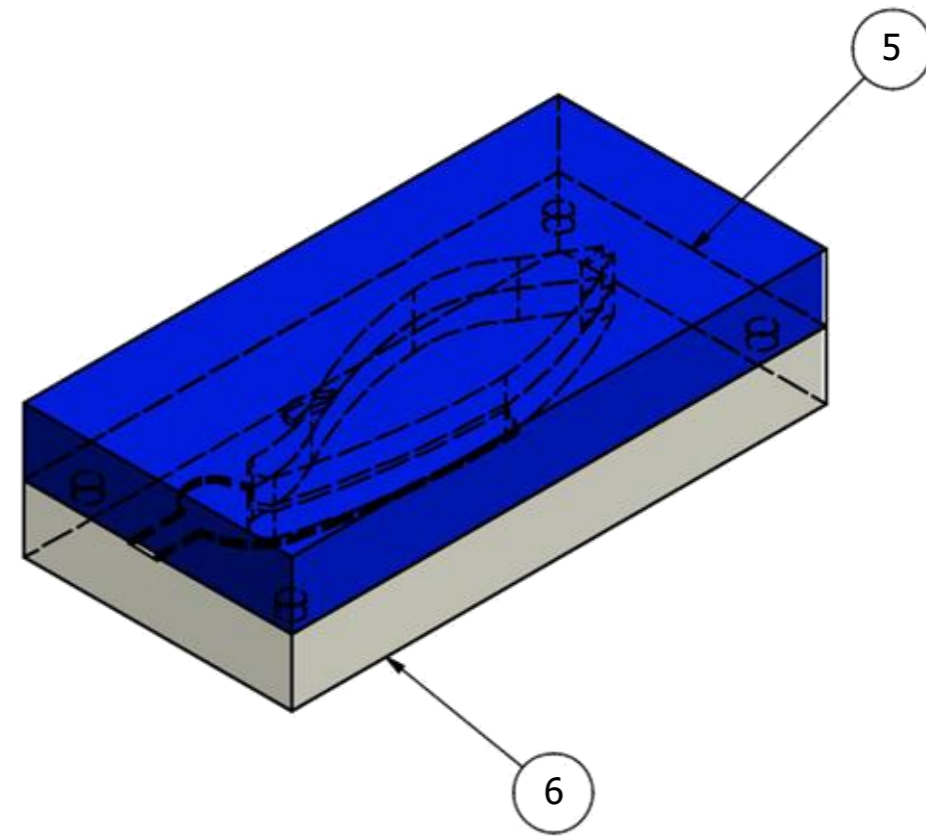
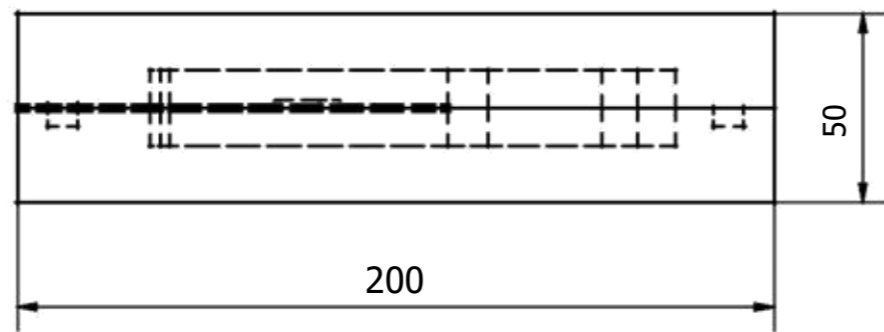
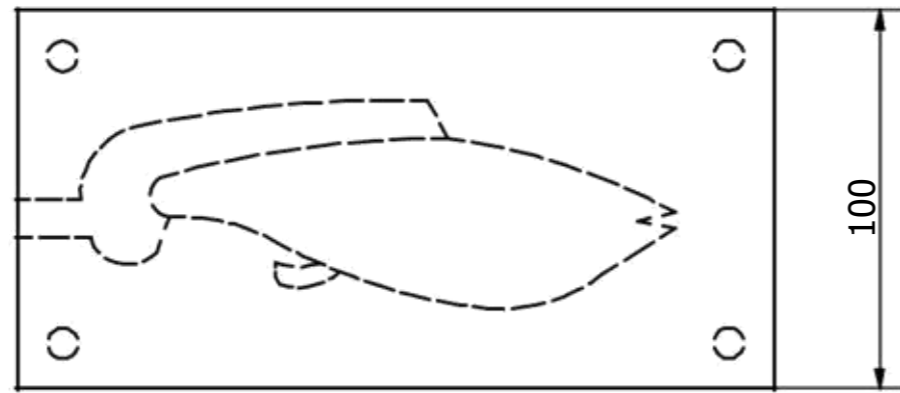


| | | | | | | | | |
|-----|----|---|---------------------------------------|---|--------------------|----------------|----------------------------------|----------|
| | | I | CETAKAN BAWAH | 4 | ALUMUNIUM | 200x110x120 mm | DIBUAT | |
| | | I | CETAKAN ATAS | 3 | ALUMUNIUM | 200x110x110 mm | DIBUAT | |
| | | | JUMLAH | | NAMA BAGIAN | NO.BGN | BAHAN | |
| | | | | | | | UKURAN | |
| | | | | | | | KETERANGAN | |
| III | II | I | PERUBAHAN | | | | | |
| | | | ASSEMBLING CETAKAN DUDUKAN | | | | SKALA | DIGAMBAR |
| | | | | | | | 1 : 2 | MEI '18 |
| | | | POLITEKNIK NEGERI SRIWIJAYA | | | | DRA.ME/INV/L.A-PART/02/18 | |
| | | | | | | | | |



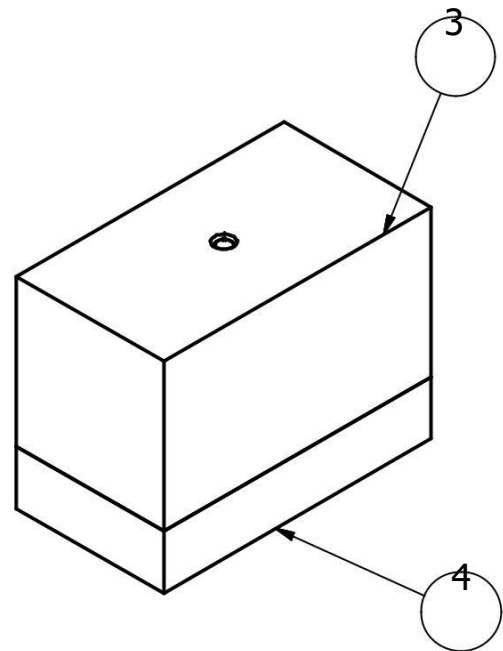
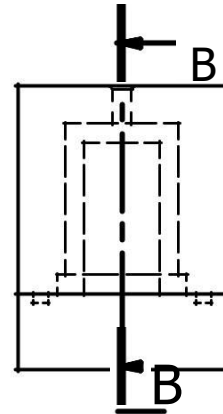
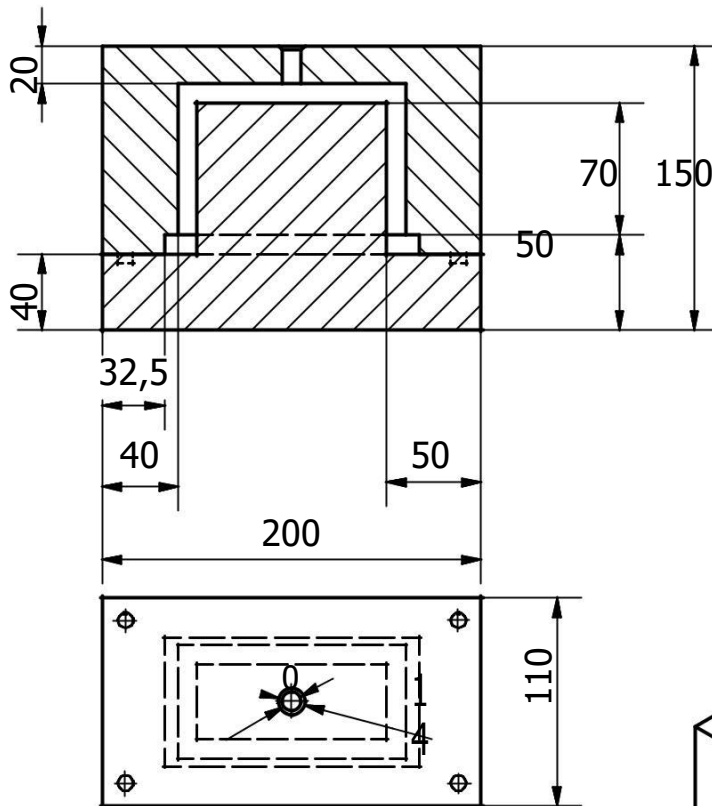
| | | | | | | | | |
|-----------------------------|----|---------------|-----------|-----------|---------------------------|------------|---|------|
| | I | CETAKAN BAWAH | 6 | ALUMINIUM | 200 x 100 x 50 mm | DIBUAT | | |
| | I | CETAKAN ATAS | 5 | ALUMINIUM | 200 x 100 x 50 mm | DIBUAT | | |
| JUMLAH | | NAMA BAGIAN | NO.BGN | BAHAN | UKURAN | KETERANGAN | | |
| III | II | I | PERUBAHAN | | | |   | |
| ASSEMBLING CETAKAN IKAN | | | | | SKALA | DIGAMBAR | MEI '18 | TEAM |
| | | | | | 1 : 2 | DIPERIKSA | | |
| POLITEKNIK NEGERI SRIWIJAYA | | | | | DRA.ME/INV/L.A-PART/03/18 | | | |

CASTING

3. TOL 0.1



B-B

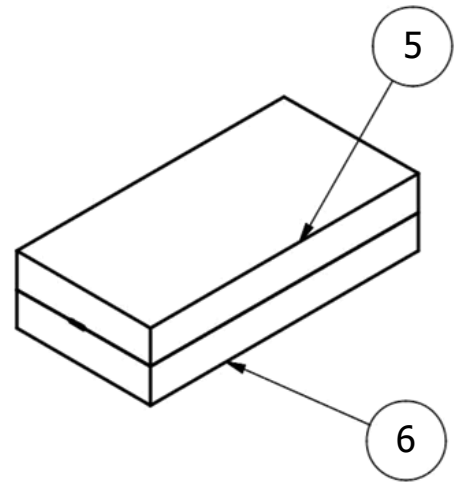
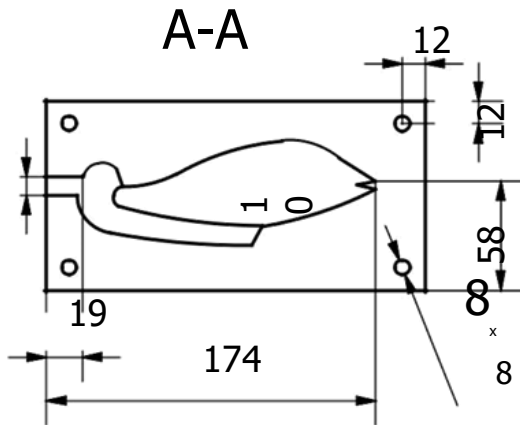
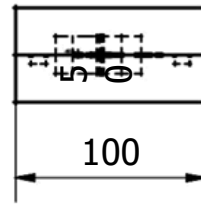
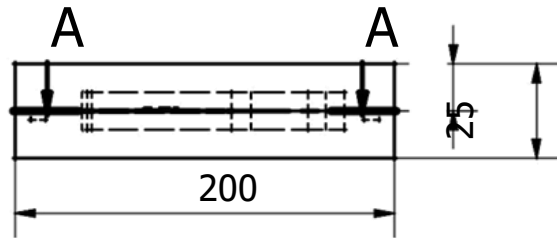


| | | | | | | | |
|---------------|----|---|------------------------------------|---------------|--------------|----------------|---------------------------------------|
| | | 1 | CETAKAN BAWAH | 4 | ALUMUNIUM | 120x110x110 mm | DIBUAT |
| | | 1 | CETAKAN ATAS | 3 | ALUMUNIUM | 200x110x110 mm | DIBUAT |
| JUMLAH | | | NAMA BAGIAN | NO.BGN | BAHAN | UKURAN | KETERANGAN |
| III | II | I | PERUBAHAN | | | | |
| | | | CETAKAN DUDUKAN | | | SKALA 1 : 5 | DIGAMBAR MEI '18 TEAM DIPERIKSA |
| | | | POLITEKNIK NEGERI SRIWIJAYA | | | | DRA.ME/INV/L.A-PART/06/18 |



CASTING

4.TOL 0.1



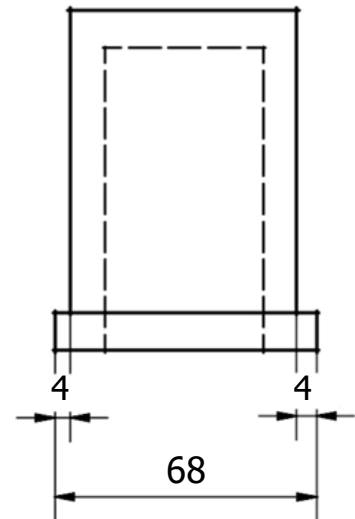
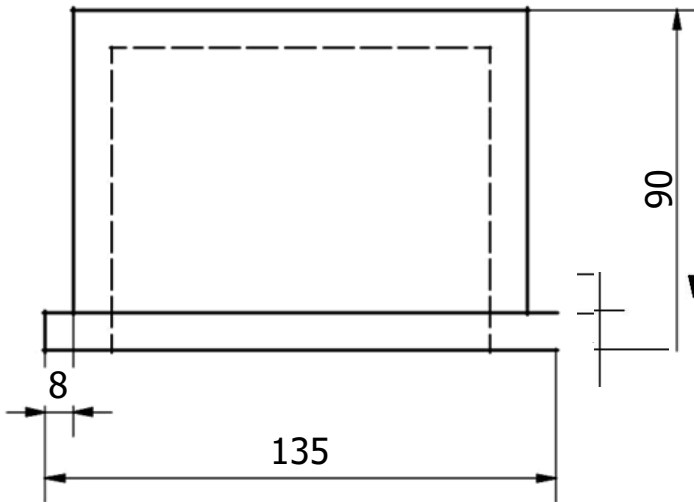
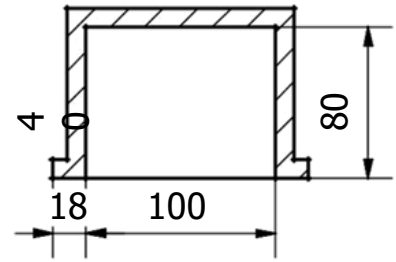
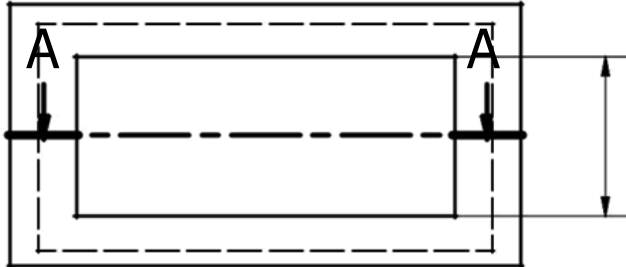
| | | | | | | | | | |
|------------------------------------|----|---|--------------------|---------------|--------------|---------------------------|-------------------|-----|------|
| | | 1 | CETAKAN BAWAH | 6 | ALUMUNIUM | 200x50x100 mm | DIBUAT | | |
| | | 1 | CETAKAN ATAS | 5 | ALUMUNIUM | 200x50x100 mm | DIBUAT | | |
| JUMLAH | | | NAMA BAGIAN | NO.BGN | BAHAN | UKURAN | KETERANGAN | | |
| III | II | I | PERUBAHAN | | | | | | |
| CETAKAN IKAN | | | | | | SKALA | DIGAMBAR | MEI | TEAM |
| | | | | | | 1 : 5 | DIPERIKSA | | |
| POLITEKNIK NEGERI SRIWIJAYA | | | | | | DRA.ME/INV/L.A-PART/07/18 | | | |

CASTING

2. TOL 0.5



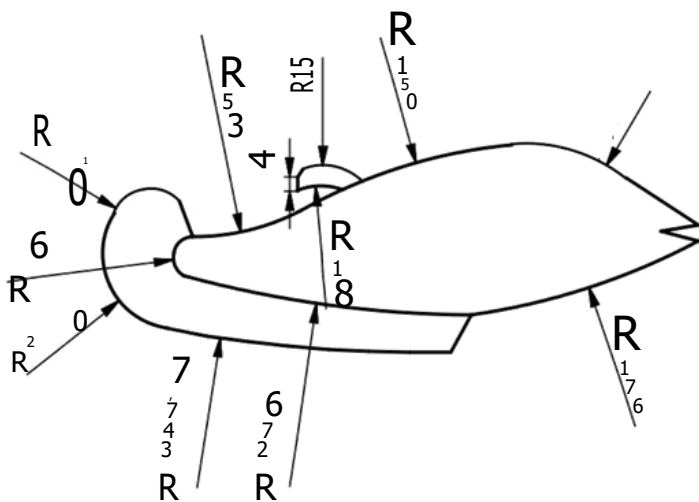
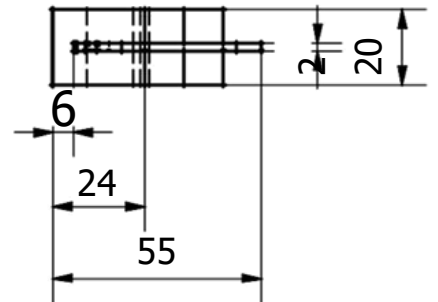
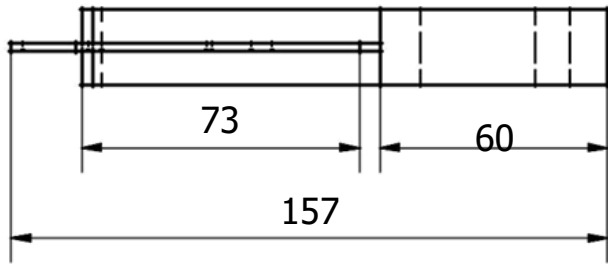
A-A (1 : 5)



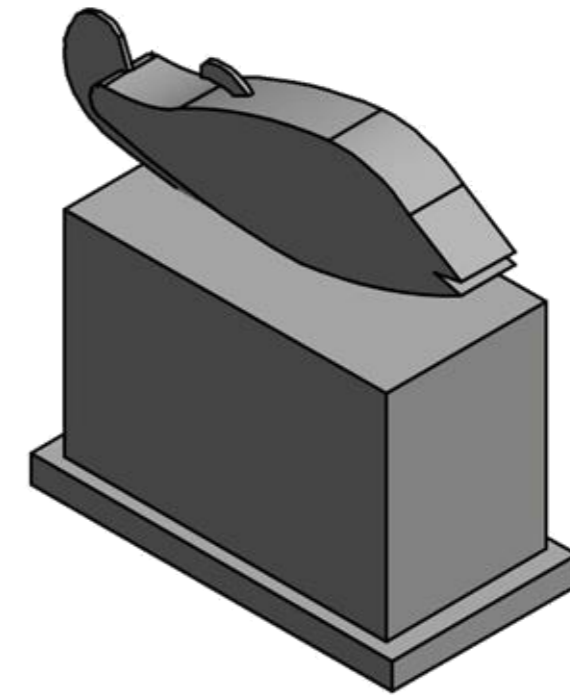
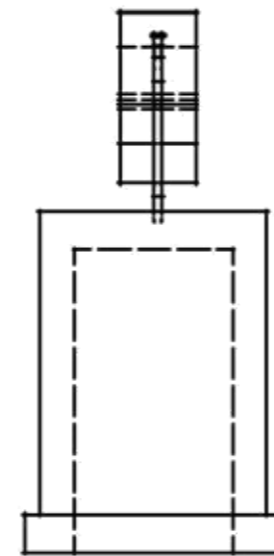
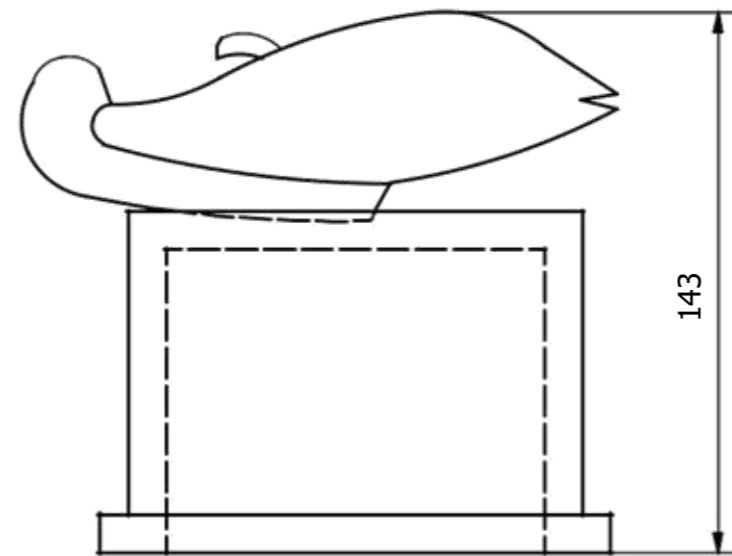
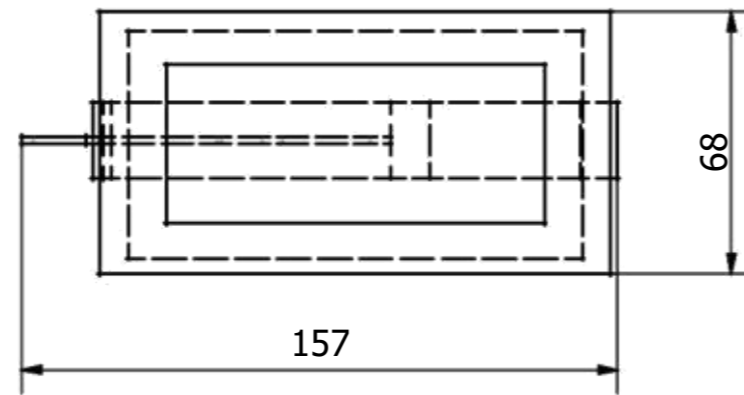
| | | | | | | | | | | |
|-----------------------------|----|---|-------------|--------|----------|---------------------------|------------|---------|------|--|
| | | I | DUDUKAN | 2 | ALUMUNIU | 135 x 68 x 90 mm | DIBUAT | | | |
| JUMLAH | | | NAMA BAGIAN | NO.BGN | BAHAN | UKURAN | KETERANGAN | | | |
| III | II | I | PERUBAHAN | | | | | | | |
| PRODUK | | | | | | SKALA | DIGAMBAR | MEI '18 | TEAM | |
| | | | | | | 1 : 2 | DIPERIKSA | | | |
| POLITEKNIK NEGERI SRIWIJAYA | | | | | | DRA.ME/INV/L.A-PART/05/18 | | | | |

CASTING

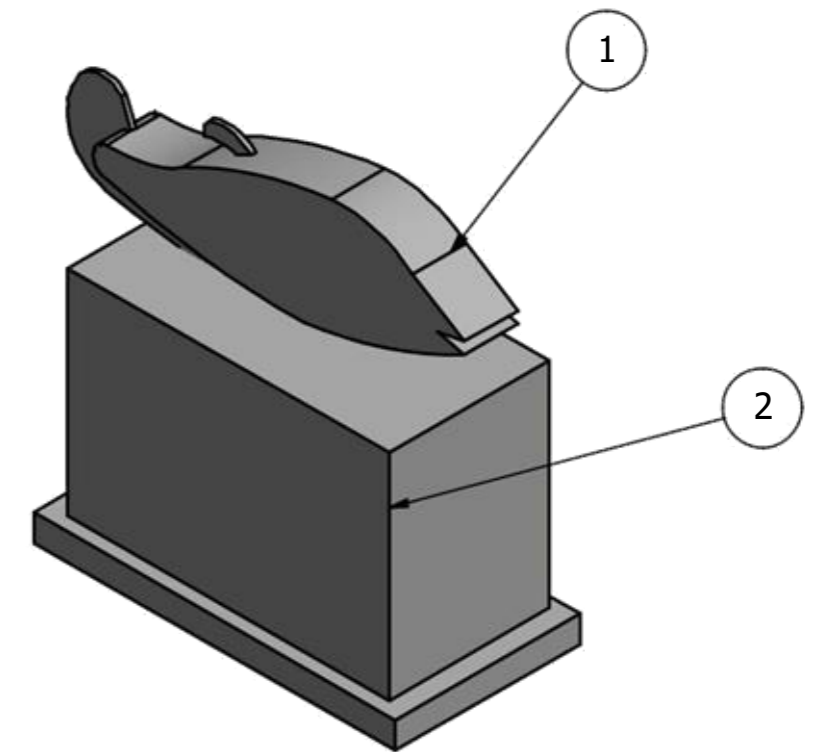
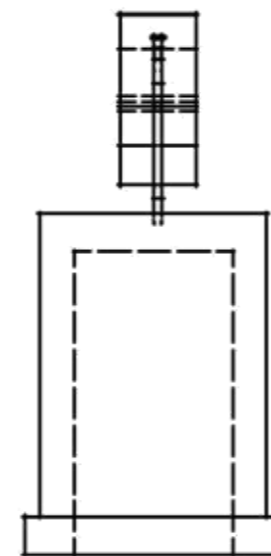
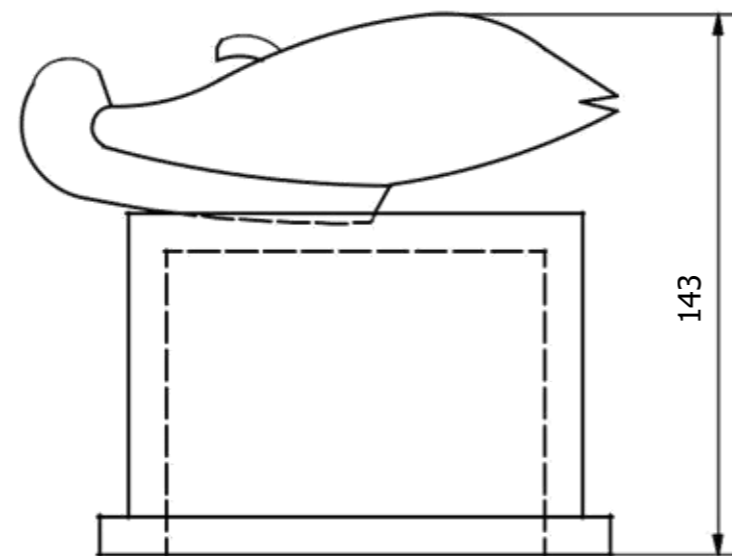
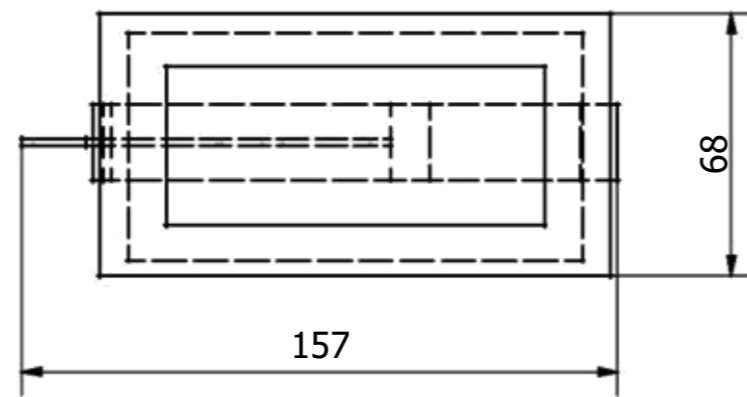
1. TOL 0.5 ∇ N7



| | | | | | | | | | |
|------------------------------------|----|---|--------------------|---------------|--------------|---------------------------|-------------------|---------|------|
| | | 1 | IKAN | 1 | ALUMUNIUM | 157x20x55 mm | DIBUAT | | |
| JUMLAH | | | NAMA BAGIAN | NO.BGN | BAHAN | UKURAN | KETERANGAN | | |
| III | II | I | PERUBAHAN | | | | | | |
| PRODUK | | | | | | SKALA | DIGAMBAR | MEI '18 | TEAM |
| | | | | | | 1 : 2 | DIPERIKSA | | |
| POLITEKNIK NEGERI SRIWIJAYA | | | | | | DRA.ME/INV/L.A-PART/04/18 | | | |



| | | | | | | | |
|--|--|---|------------------|---|------------------------------------|----------------------------------|-------------------|
| | | 1 | DUDUKAN | 2 | ALUMUNIUM | 135x68x90 mm | DIBUAT |
| | | 1 | IKAN | 1 | ALUMUNIUM | 157x20x55 mm | DIBUAT |
| | | | JUMLAH | | NAMA BAGIAN | NO.BGN | BAHAN |
| | | | | | UKURAN | | KETERANGAN |
| | | | PERUBAHAN | | | | |
| | | | | | PRODUK | SKALA | DIGAMBAR |
| | | | | | | 1 : 2 | MEI '18 |
| | | | | | | | DIPERIKSA |
| | | | | | POLITEKNIK NEGERI SRIWIJAYA | DRA.ME/INV/L.A-PART/01/18 | |



| | | | | | | | | | | | |
|--|--|---|---------------|---|------------------------------------|---------------|--------------|----------------------------------|-------------------|----------------|-------------|
| | | 1 | DUDUKAN | 2 | ALUMUNIUM | 135x68x90 mm | DIBUAT | | | | |
| | | 1 | IKAN | 1 | ALUMUNIUM | 157x20x55 mm | DIBUAT | | | | |
| | | | JUMLAH | | NAMA BAGIAN | NO.BGN | BAHAN | UKURAN | KETERANGAN | | |
| | | | III | | PERUBAHAN | | | | | | |
| | | | | | PRODUK | | | SKALA | DIGAMBAR | MEI '18 | TEAM |
| | | | | | | | | 1 : 2 | DIPERIKSA | | |
| | | | | | POLITEKNIK NEGERI SRIWIJAYA | | | DRA.ME/INV/L.A-PART/01/18 | | | |