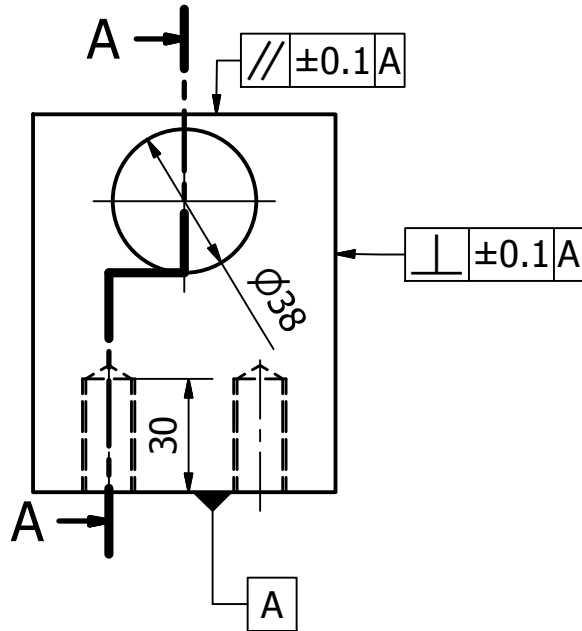
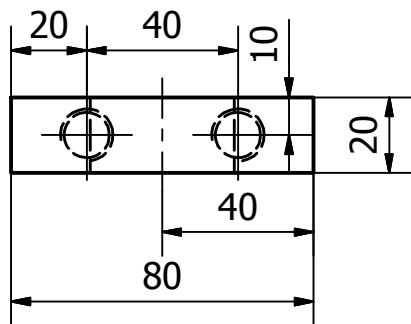
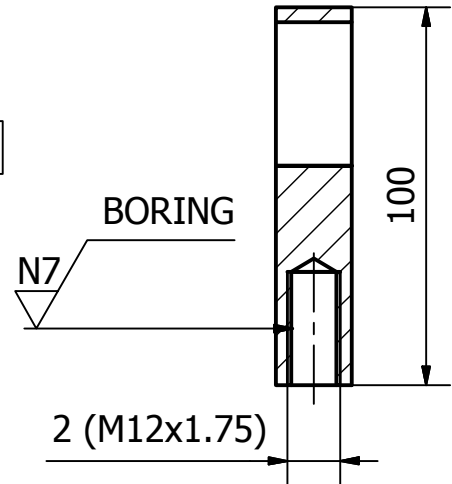


SHAPPING
 NO.10 TOL ± 0.01 N9



POT A-A (1 : 2)



| | | | | | | | | |
|--|----|----------|--------------------|---------------|--------------|-------------------------------|-------------------|------|
| | | 1 | JIG 4 | 10 | ST42 | 80x100x20 | DIBUAT | |
| JUMLAH | | | NAMA BAGIAN | NO BAG | BAHAN | UKURAN | KETERANGAN | |
| III | II | I | PERUBAHAN | | | | | |
| ALAT BANTU PELEPAS DAN PEMASANG UNIVERSAL JOINT MENGGUNAKAN TENAGA DONGKRAN MEKANIS OTOMATIS | | | | | | SKALA 1 : 2 | DIGAMBAR | TEAM |
| | | | | | | | DIPERIKSA | |
| POLITEKNIK NEGERI SRIWIJAYA | | | | | | DRAME INV PART NO. 010 / 2018 | | |