



PRODUCTS 產品資訊

Multi-Tuner Solution

- 4K/8K
- (UHD)/HDR/HD/Analog TV
- Receiver
- Terrestrial/Cable/Satellite
- Set-Top Box Receiver
- Satellite Broadcast Reception
- & Distribution
- Fiber Optics
- RF Connectivity
- RF Network Power Amplifiers
- Application Specific

R828D2

## R828D2

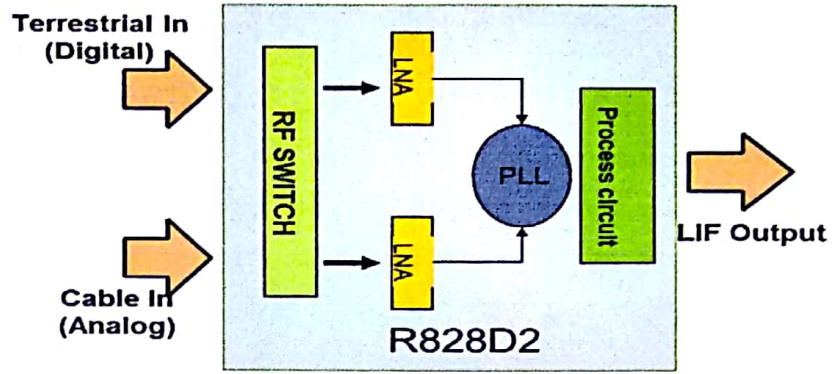
*High Performance Low Power  
Advanced Dual-in Hybrid Silicon  
Tuner*

### Features

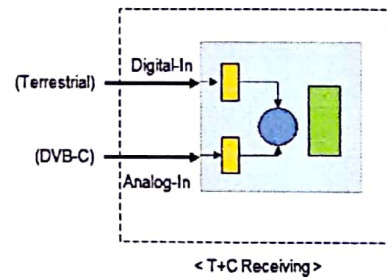
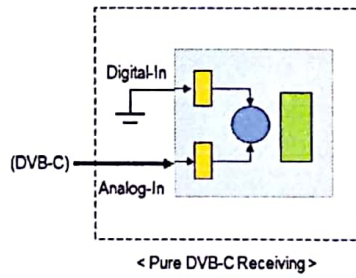
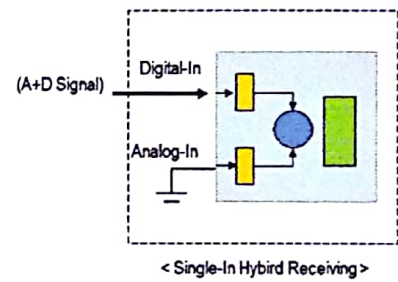
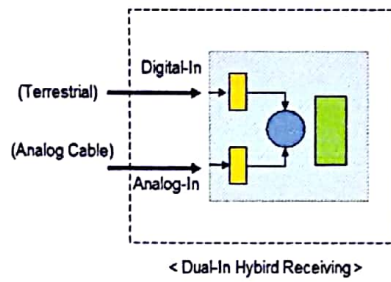
- Support all analog and digital TV standards: PAL, NTSC, and SECAM, DVB-T/T2, ATSC, DTMB, ISDB-T, DVB-C, and OpenCableTM.
- Lowest BOM cost WITHOUT external SAW filters, LNA, balun, LDO, and adjustable parts.
- Compliant with EN 300 744, EN 302 755, Nordig 2.2, D-BOOK 7.0, ARIB B21, ABNT 15604, ATSC A74, GB 20600-2006 and GY-T 240/241.
- Compliant with EN-55020, EN55013 and FCC
- Ultra low power consumption < 190mA
- Single power supply with 3.3V
- 2-wired I2C interface
- 32-pin 5x5 QFN lead-free package

### Applications

- Dual-in Hybrid TV (ATV+DTV)
- Terrestrial ATV (PAL, NTSC, SECAM) and Cable ATV (PAL, NTSC, SECAM).
- Terrestrial DTV (DVB-T/T2, ATSC, DTMB, ISDB-T) and Cable DTV (DVB-C, OpenCableTM).
- Set Top Box
- Portable Media Player
- Automobile TV



Rafael R828D2 DCTTM Technology Multi-Application



返回列表



TEL / 03-5506258 FAX / 03-5506228 Address / 新竹縣竹北市成功十三街 28 號 10 樓  
 10F., No.28, Chenggong 12th St., Zhubei City, Hsinchu County 30264, Taiwan (R.O.C.)  
 COPYRIGHT 宏觀微電子股份有限公司 2015 © ALL RIGHTS RESERVED

DESIGN BY PROJETAT